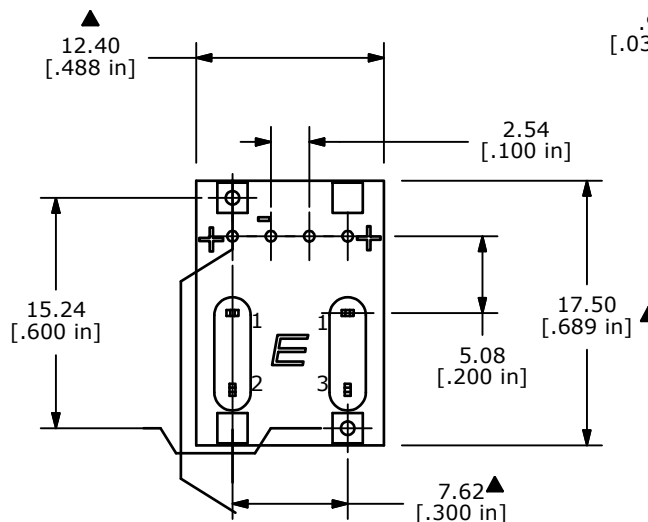
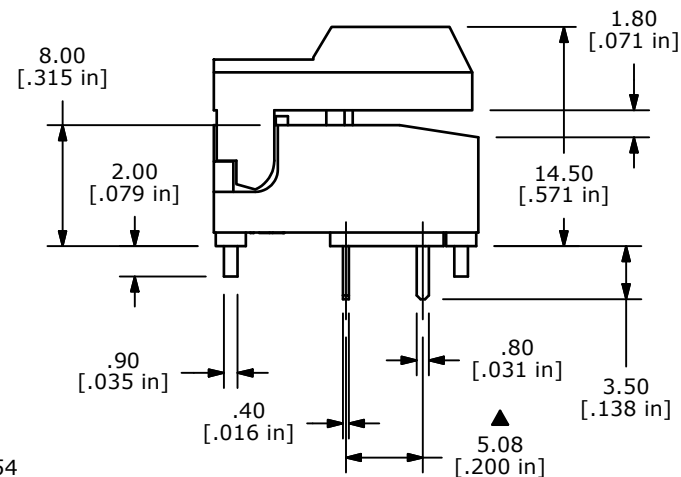
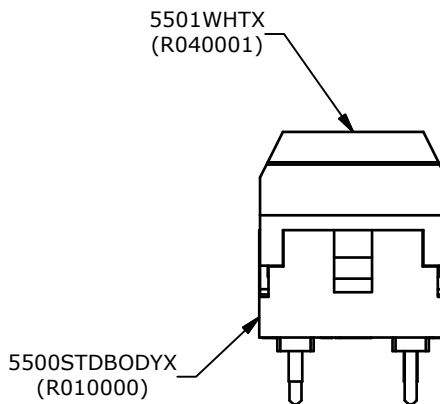
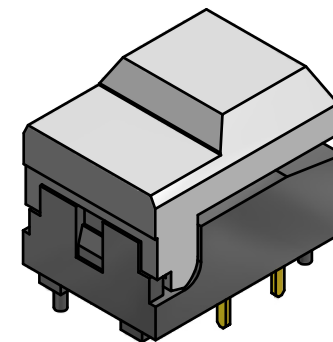


NOTES:

1. ALL DIMENSIONS IN MM [INCH]
2. GENERAL TOLERANCE: X.X=±0.4  
X.XX=±0.25
3. TERMINAL NUMBERS FOR REF. ONLY.
- ▲ 4. RATING: 12mA @ 24VDC (B)
5. CONTACT RESISTANCE: 50mΩ MAX
6. INSULATION RESISTANCE: 100MΩ (B)
7. CONTACTS: FIXED AND MOVING: (B)  
COPPER ALLOY W/GOLD PLATE
8. OPERATING FORCE: 170± 50grams (B)
9. TRAVEL: 2.5± 0.5 (B)
10. OPERATING LIFE: 500,000 CYCLES MIN (B)
11. OPERATING TEMPERATURE: -10°C TO 60°C (B)
12. ▲ DENOTES CRITICAL PARAMETER



B	21672	UPDATED AND ADDED NOTES	10/24/14	AS
A	15607	RELEASED FOR PRODUCTION	12/15/05	PH
REV	PCR NO	DESCRIPTION	DATE	BY

TITLE 5501MWHTX				
SCALE	DATE	DR	DWG	REV
2:1	12/15/2005	PH	XR0244P	B

THE INFORMATION CONTAINED IN THIS DOCUMENT IS PROPRIETARY TO E-SWITCH AND IS NOT TO BE COPIED OR TRANSFERRED