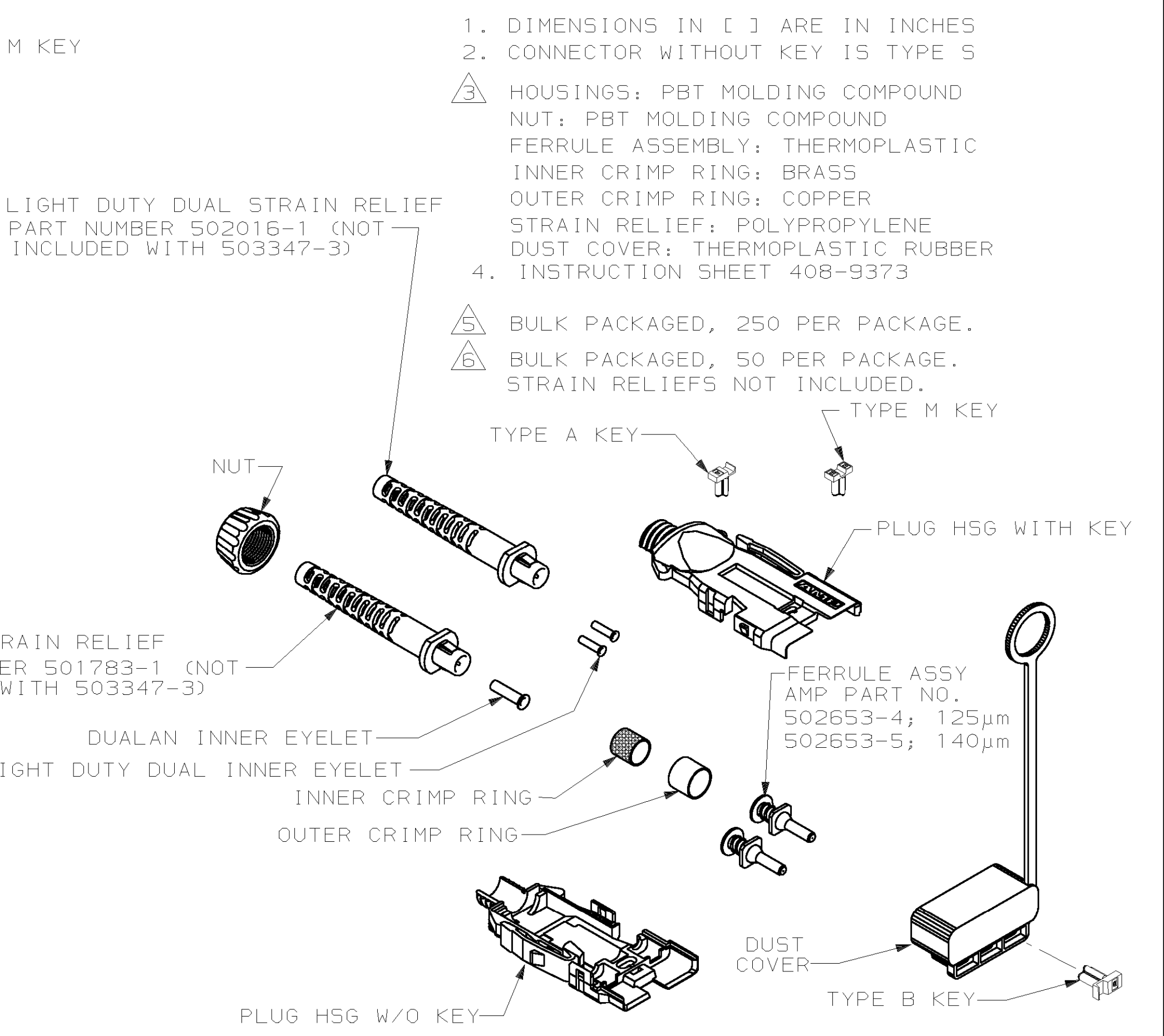
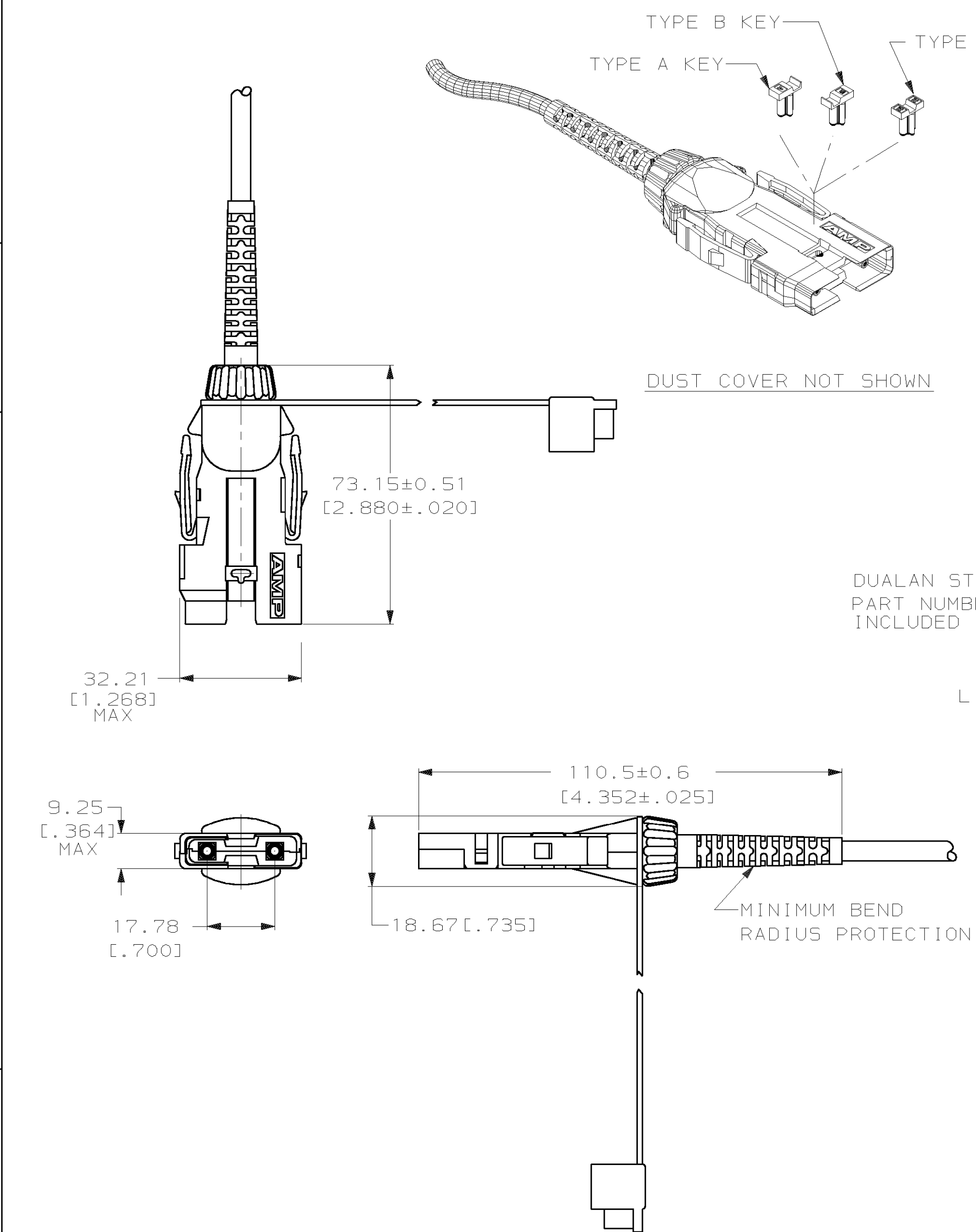


LOC		DIST		P		F		REVISIONS		DATE	APPROVED
CE	16					ZONE	LTR	DESCRIPTION			
							C	REVISED PER 0A00-0123-00	16JAN2001	TA/SB	



- DIMENSIONS IN [ ] ARE IN INCHES
  - CONNECTOR WITHOUT KEY IS TYPE S
  - HOUSINGS: PBT MOLDING COMPOUND  
 NUT: PBT MOLDING COMPOUND  
 FERRULE ASSEMBLY: THERMOPLASTIC  
 INNER CRIMP RING: BRASS  
 OUTER CRIMP RING: COPPER  
 STRAIN RELIEF: POLYPROPYLENE  
 DUST COVER: THERMOPLASTIC RUBBER
  - INSTRUCTION SHEET 408-9373
- 5 BULK PACKAGED, 250 PER PACKAGE.  
 6 BULK PACKAGED, 50 PER PACKAGE.  
 STRAIN RELIEFS NOT INCLUDED.

OBSOLETE	5	LIGHT DUTY DUAL 125µm	503347-7
		LIGHT DUTY DUAL 140µm	503347-6
		LIGHT DUTY DUAL 125µm	503347-5
OBSOLETE	5	DUALAN 125µm	503347-4
	6	125µm	503347-3
		DUALAN 140µm	503347-2
		DUALAN 125µm	503347-1

UNLESS OTHERWISE SPECIFIED DIMENSIONS ARE IN mm TOLERANCES ON :		DR 8-26-93 B.BRIGGS	DESCRIPTION FIBER SIZE	PART NUMBER
2 PL DEC ±0.13 [.005]		CHK 8-27-93 B.BRIGGS		
3 PL DEC ± -		APPD 8-27-93 G.LIVINGSTON		
ANGLES ± -		APPD 8-27-93 D.FISHER		
MATERIAL	3	PRODUCT SPEC		
FINISH	-	APPLICATION SPEC		
	-	WEIGHT		
		SIZE	F5CM NO	DRAWING NO
		C	00779	503347
		SCALE	1:1	SHEET 1 OF 1

METRIC