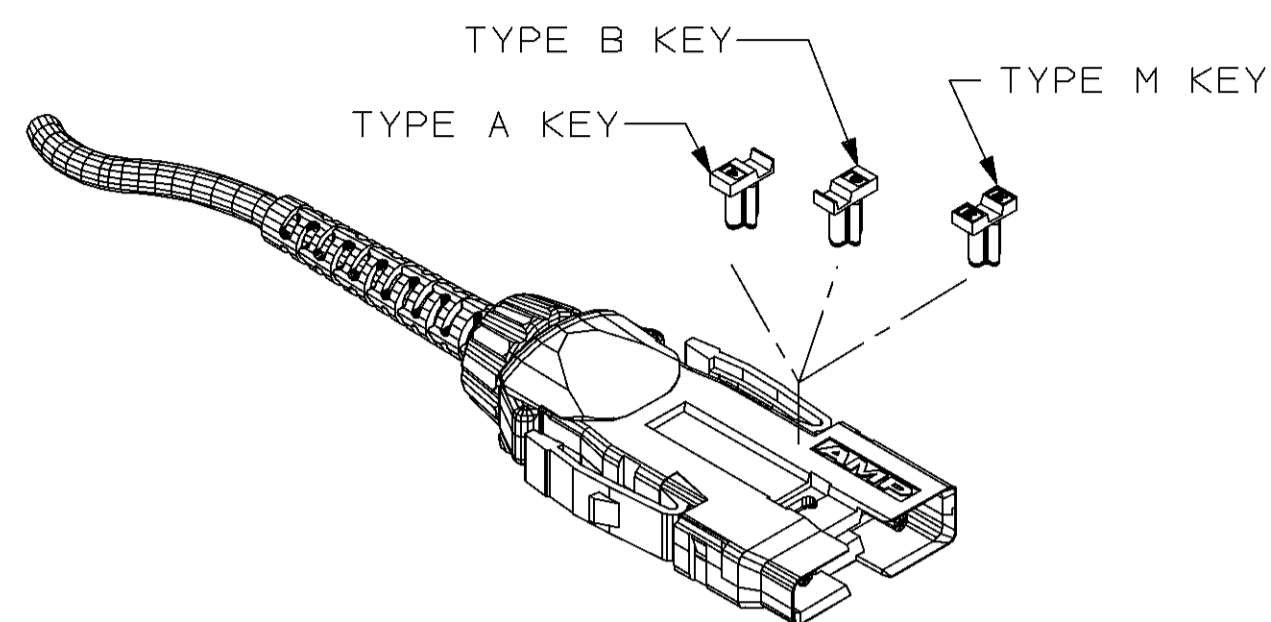


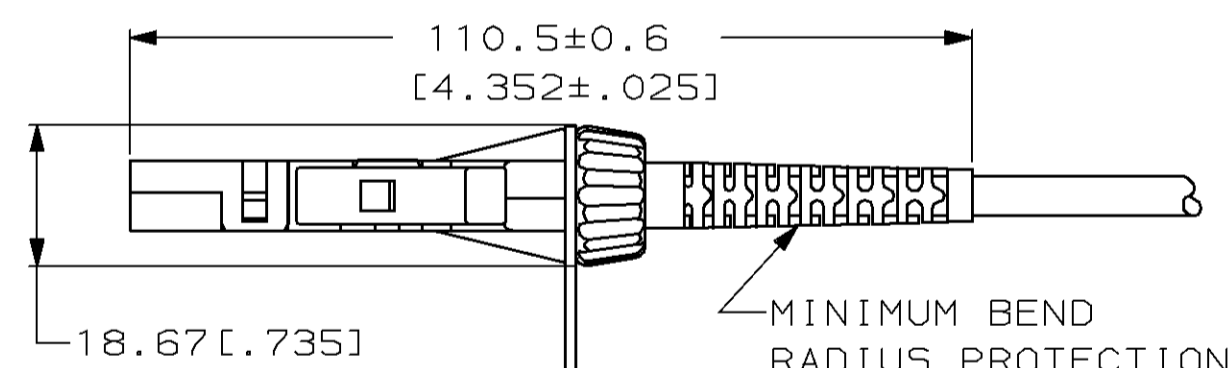
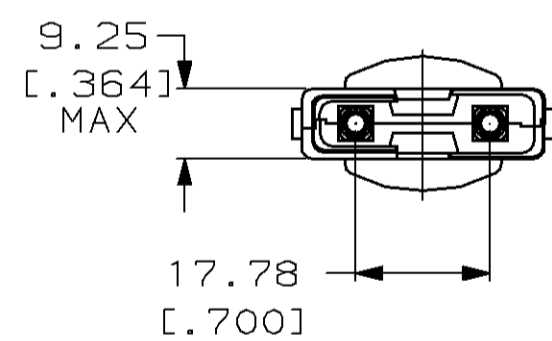
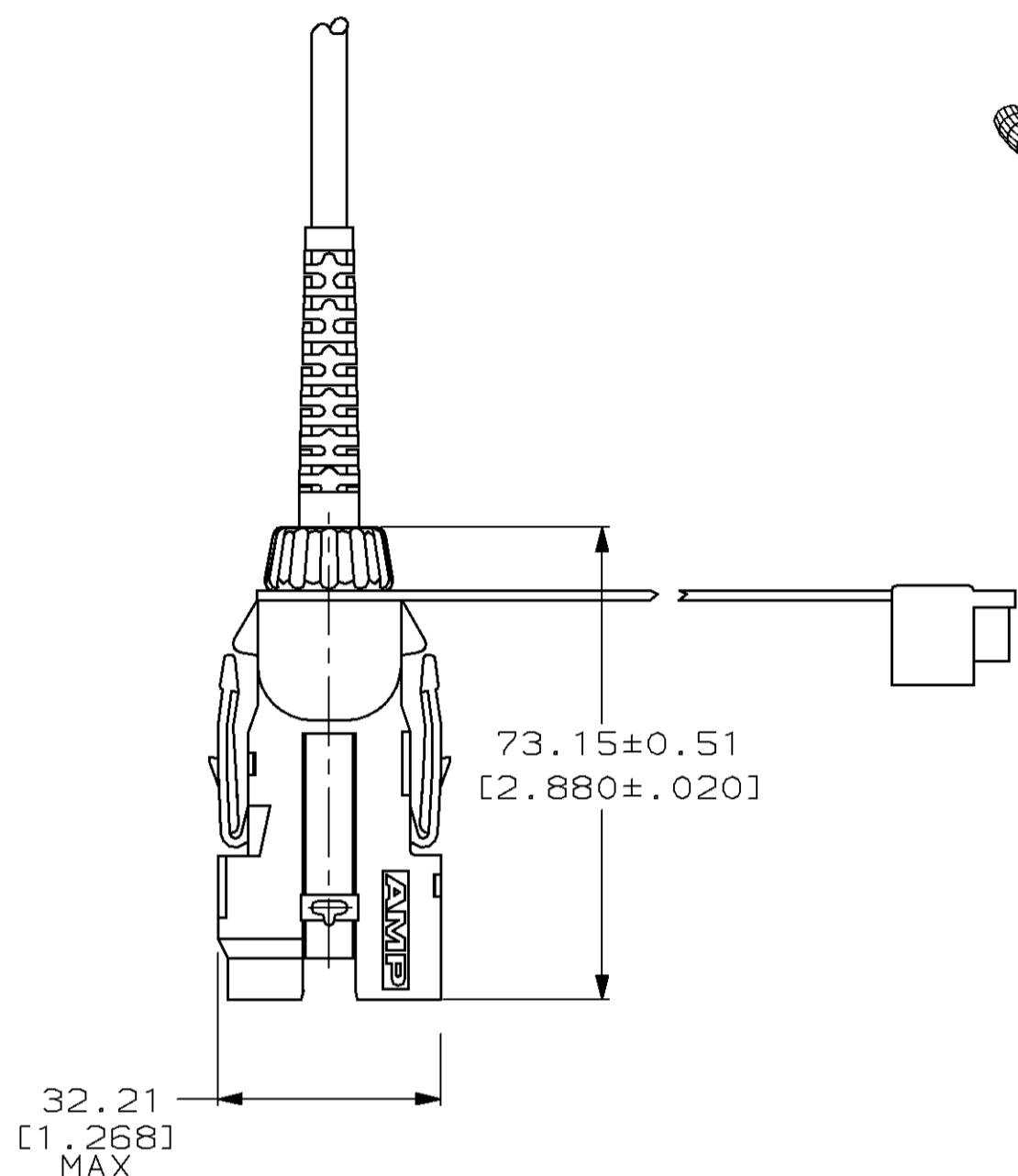
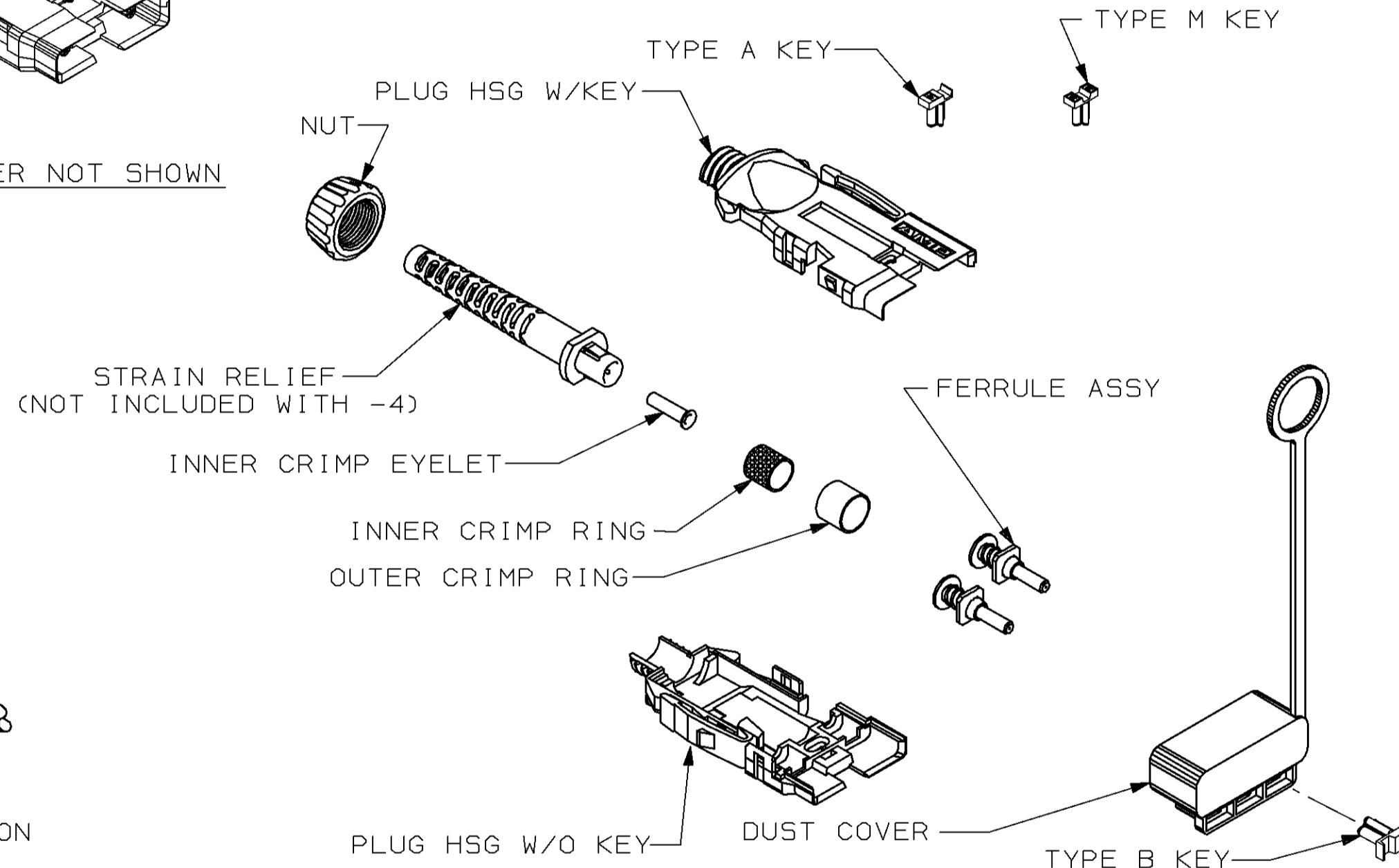
THIS DRAWING IS UNPUBLISHED. RELEASED FOR PUBLICATION, 19
 © COPYRIGHT 19 BY AMP INCORPORATED, HARRISBURG, PA. ALL INTERNATIONAL RIGHTS RESERVED. AMP PRODUCTS MAY BE COVERED BY U.S. AND FOREIGN PATENTS AND/OR PATENTS PENDING.

LOC		DIST		P		F		ZONE		LTR		REVISIONS			
CE	16											DESCRIPTION	DATE	APPROVED	
												REV PER	0A00-0237-95	6-9-95	RH/FR

- DIMENSIONS IN [] ARE IN INCHES
- CONNECTOR WITHOUT KEY IS TYPE S
- HOUSINGS: PBT MOLDING COMPOUND
 NUT: PBT MOLDING COMPOUND
 FERRULE ASSY: STAINLESS STEEL AND CERAMIC
 INNER CRIMP RING: BRASS
 OUTER CRIMP RING: COPPER
 STRAIN RELIEF: POLYPROPYLENE
 DUST COVER: THERMOPLASTIC RUBBER
- INSTRUCTION SHEET 9373
- BULK PACKAGED, 200 PER PACKAGE.



DUST COVER NOT SHOWN



6 BULK PACKAGED 50 PER PACKAGE. ORDER STRAIN RELIEF SEPARATELY. DUALAN STYLE: 501783-1 ZIPCORD STYLE: 502016-1

6	125µm	501780-4
5	125µm	501780-3
	140µm	501780-2
	125µm	501780-1
	FIBER SIZE	PART NO

UNLESS OTHERWISE SPECIFIED DIMENSIONS ARE IN mm TOLERANCES ON :		DR 5-19-88 B.BRIGGS		AMP INCORPORATED Harrisburg, Pa. 17105	
2 PL DEC ±0.13 [.005]		CHK 5-19-88 J.ZEIDERS			
3 PL DEC ± -		APPD 5-20-88 L.BUDD		NAME CONNECTOR KIT, DUALAN CABLE, AMP FSD	
ANGLES ± -		APPD 5-20-88 D.THOMPSON			
MATERIAL		PRODUCT SPEC		SIZE	
3		-		FSCM NO	
FINISH		APPLICATION SPEC		DRAWING NO	
-		-		C 00779	
WEIGHT		-		501780	
				SCALE 1:1	
				SHEET 1 OF 1	

METRIC

RESTRICTED RELEASE
 DRAWING MAY CHANGE WITHOUT
 CUSTOMER NOTIFICATION