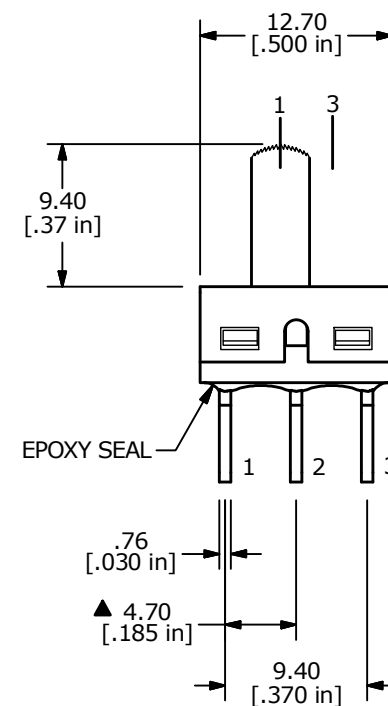
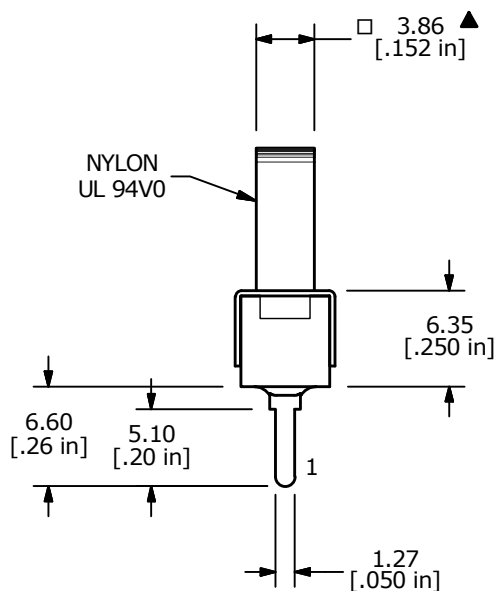
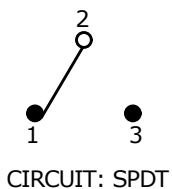


| ▲ SWITCH FUNCTION | | |
|-------------------|--------|--------|
| POS. 1 | POS. 2 | POS. 3 |
| | | |
| ON | NONE | ON |
| 2-1 | N/A | 2-3 |



NOTE:

1. ALL DIMENSIONS IN MM [INCH]
2. GENERAL TOLERANCE: X.X = ±0.4
X.XX = ±0.25
3. TERMINAL NUMBERS FOR REF ONLY
- ▲ 4. PLATING MATERIAL: SILVER
5. RATING: 5A @120VAC or 28VDC
2A @ 250VAC
6. ELECTRIC LIFE: 30,000 MAKE AND BREAK CYCLES.
7. INSULATION RESISTANCE: 1,000 MEGA-OHM MIN.
8. DIELECTRIC STRENGTH: 1,000 V RMS @ SEA LEVEL
9. OPERATING TEMP.: -30°C to 85°C
10. ▲ DENOTES CRITICAL PARAMETER.
11. 2011/65/EU (ROHS) COMPLIANT



| | | | | |
|-----|--------|---------------------|----------|----|
| E | 23097 | updated and redrawn | 11/13/17 | MW |
| REV | PCR NO | DESCRIPTION | DATE | BY |

| | | | | |
|----------------------|---------------|--------|-------------|-------|
| TITLE 500SSP1S3M2QEA | | | | |
| SCALE 2:1 | DATE 3/6/2002 | DR CJB | DWG T511021 | REV E |

THE INFORMATION CONTAINED IN THIS DOCUMENT IS PROPRIETARY TO E-SWITCH AND IS NOT TO BE COPIED OR TRANSFERRED