

mat'l. code SEE NOTE 3		surface ISO 1302	tolerance ISO 406 ISO 1101	projection INCH/MM	product family HPC
ltr	ecn no	dr	date	tolerances unless otherwise specified	title
K	V50266	SAR	9/5/95	angles	4 ROW R/A RECEPTACLE SOLDER TAIL, 0 GUIDE PIN
L	V82251	HTB	12/28/98	linear	
M	V00253	JWS	1/12/00	0°±2'	scale 1:1
N	V05-0513	DAI	10/19/05	dr	D.SHEAFER 1/7/90
P	M06-0283	MHT	7/27/06	engr	S.CLARK 1/7/90
R	M07-0136	AGS	2/26/07	chr	S.CLARK 1/7/90
S	M08-0280	AGS	9/30/08	appd	S.CLARK 1/7/90
sheet	revision	S	S	S	S
index	sheet	1	2	3	4

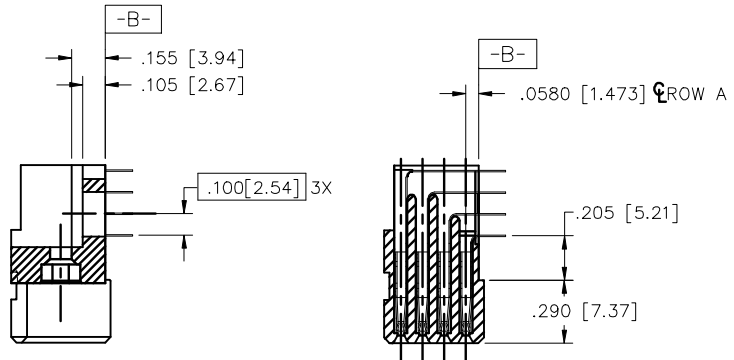


PRODUCT NUMBER  
SEE TABLE

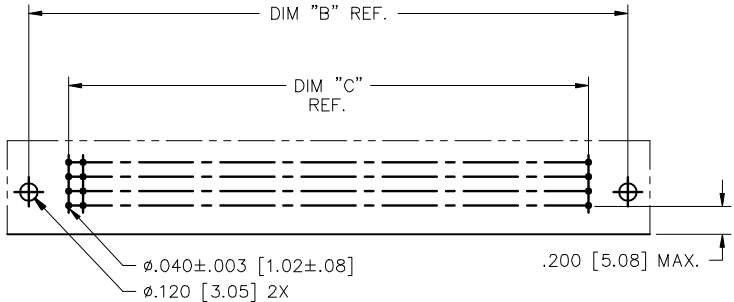
NOTES:

1. PRODUCT NUMBERING CODE:  
50003 - X YYY Z LF  
LEAD FREE (OPTIONAL)  
TAIL LENGTH SEE TABLE  
NO. OF POSITIONS SEE NOTE 2  
PLATING SEE TABLE  
BASE NUMBER

PRODUCT NUMBERING CODE FOR  
SELECT LEAD PART NUMBERS:  
50003 - XXYYY LF  
LEAD FREE (OPTIONAL)  
SEQUENCE NUMBER  
ALWAYS 'XX'  
BASE NUMBER



SECTION U-U      SECTION X-X



RECOMMENDED PCB LAYOUT  
(ALL HOLES LOCATED ON .100 [2.54] GRID  
UNLESS OTHERWISE SPECIFIED)

- ② THIS PRODUCT IS CONFIGURED IN SIZES OF 6 THRU 80 COLUMNS IN INCREMENTS OF ONE. i.e.: 6,7,8,9.....79,80.
- ③ HOUSING MATERIAL: GLASS AND MINERAL FILLED THERMOPLASTIC. CONTACT MATERIAL: BeCu
- ④ COMPANY NAME, PART NUMBER AND LOT CODE TO APPEAR ON THIS SURFACE PER BUS-12-108.
- ⑤ LENGTH FORMULAS  
DIM A =  $.100/2.54 \times \text{NO. OF COLUMNS} + .75/19.1$   
DIM B =  $.100/2.54 \times \text{NO. OF COLUMNS} + .450/11.43$   
DIM C =  $.100/2.54 \times \text{NO. OF COLUMNS} - .100/2.54$
- 6. PRODUCT WITH 'LF' SUFFIX MEETS EUROPEAN UNION DIRECTIVES AND OTHER COUNTRY REGULATIONS AS DISCRIBED IN GS-22-008.
- 7. THIS HOUSING WILL WITHSTAND EXPOSURE TO 260° C PEAK TEMPERATURE FOR 10-30 SECONDS IN CONVECTION, INFRA-RED OR VAPOR PHASE REFLOW OVEN.
- ⑧ DUE TO SPECIAL PLATING, LF NOT AVAILABLE FOR 50003-XX002.
- ⑨ PLATING OPTION:  
MAY BE EITHER GOLD OR GXT PLATED AT MANUFACTURER'S OPTION.

mat'l. code SEE NOTE 3		surface ISO 1302	tolerance ISO 406 ISO 1301	projection INCH/MM	product family HPC
ltr	ecn no	dr	date	tolerances unless otherwise specified	title 4 ROW R/A RECEPTACLE SOLDER TAIL, 0 GUIDE PIN
S				linear XX±.01/XX±0.3 XXX±.006/XXX±0.13 O'±2' XXXX±.0020/XXXX±0.051	scale 1:1
		dr	D.SHEAFER	1/7/90	dwg no 50003
		engr	S.CLARK	1/7/90	sheet 2 of 4 size A3
		chr	S.CLARK	1/7/90	type Product Customer Drawing
		appd	S.CLARK	1/7/90	
sheet	revision				
index	sheet				



Copyright FCJ

PRODUCT NUMBER  
SEE TABLE

50003-XX002 ONLY

75	70	65	60	55	50	45	40	36
D	D	D	D	D	D	D	D	D
C	C	C	C	C	C	C	C	C
B	B	B	B	B	B	B	B	B
A	A	A	A	A	A	A	A	A

35	30	25	20	15	10	5	1
D	D	D	D	D	D	D	D
C	C	C	C	C	C	C	C
B	B	B	B	B	B	B	B
A	A	A	A	A	A	A	A

TERM.  
1

NOTES FOR 50003-XX002 ONLY:

- ALL POSITIONS ARE LOADED AS SHOWN.
- COLUMN 1, ROW A IS DESIGNATED AS SIGNAL TERM. 1, AS VIEWED FROM THE MATING FACE.
- SIGNAL DATA FOR 50003-XX002  
SIZE 4X 75  
TOTAL NUMBER OF POSITIONS: 300  
TOTAL NUMBER OF POSITIONS LOADED: 300

ITEM KEY	QTY.	TAIL LENGTH
A	75	.125 / 3.18
B	75	.125 / 3.18
C	75	.125 / 3.18
D	75	.125 / 3.18

mal't. code	surface	tolerance	projection	product family
SEE NOTE 3	ISO 1902	ISO 406 ISO 1101		HPC
ltr	ec'n no	dr	date	title
S				4 ROW R/A RECEPTACLE SOLDER TAIL, 0 GUIDE PIN
				INCH/MM
				scale 1:1
				dwg no
				sheet 3 of 4 size
				A3
				type
				Product Customer Drawing
sheet	revision			
index	sheet			



Copyright FCJ

PRODUCT NUMBER	NUMBER OF POSITIONS SEE NOTE 2	TAIL LENGTH	CONTACT PLATING NOTE 9	TAIL PLATING
50003-1YYYY	YYY	.125±.010 / 3.18±0.25	30u" /0.76u Au	TIN/LEAD
50003-1YYYYELF	YYY	.125±.010 / 3.18±0.25	30u" /0.76u Au	TIN
50003-1YYYYF	YYY	.145±.010 / 3.68±0.25	30u" /0.76u Au	TIN/LEAD
50003-1YYYYFLF	YYY	.145±.010 / 3.68±0.25	30u" /0.76u Au	TIN
50003-1YYYYH	YYY	.180±.010 / 4.57±0.25	30u" /0.76u Au	TIN/LEAD
50003-1YYYYHLF	YYY	.180±.010 / 4.57±0.25	30u" /0.76u Au	TIN
50003-3YYYY	YYY	.125±.010 / 3.18±0.25	50u" /1.27u Au	TIN/LEAD
50003-3YYYYELF	YYY	.125±.010 / 3.18±0.25	50u" /1.27u Au	TIN
50003-3YYYYF	YYY	.145±.010 / 3.68±0.25	50u" /1.27u Au	TIN/LEAD
50003-3YYYYFLF	YYY	.145±.010 / 3.68±0.25	50u" /1.27u Au	TIN
50003-5YYYY	YYY	.125±.010 / 3.18±0.25	30u" /0.76u GXT	TIN/LEAD
50003-5YYYYELF	YYY	.125±.010 / 3.18±0.25	30u" /0.76u GXT	TIN
50003-5YYYYF	YYY	.145±.010 / 3.68±0.25	30u" /0.76u GXT	TIN/LEAD
50003-5YYYYFLF	YYY	.145±.010 / 3.68±0.25	30u" /0.76u GXT	TIN
50003-5YYYYH	YYY	.180±.010 / 4.57±0.25	30u" /0.76u GXT	TIN/LEAD
50003-5YYYYHLF	YYY	.180±.010 / 4.57±0.25	30u" /0.76u GXT	TIN
50003-XX002	YYY	.125±.010 / 3.18±0.25	80u" /2.03u Au	TIN/LEAD

NOTE 8



FCconnect.com

Copyright FCJ

mat'l. code		NOTE 8		surface		ISO 1302		tolerance		ISO 406		projection		product family	
ltr		ecp no		dr		date		tolerances unless otherwise specified		linear		INCH/MM		HPC	
S								.XX±.01/XX±0.3		XXX±.006/XXX±0.13		scale 1:1		title	
								0'±2'		XXX±.0020/XXX±0.051		scale 1:1		4 ROW R/A RECEPTACLE SOLDER TAIL, 0 GUIDE PIN	
				dr		D.SHEAFER		1/7/90				dwg no		sheet 4 of 4 size	
				engr		S.CLARK		1/7/90				50003		A3	
				chr		S.CLARK		1/7/90							
				appd		S.CLARK		1/7/90						type Product Customer Drawing	
sheet		revision													
index		sheet													

form A3