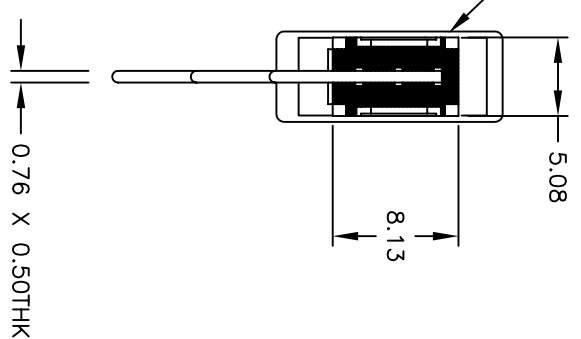
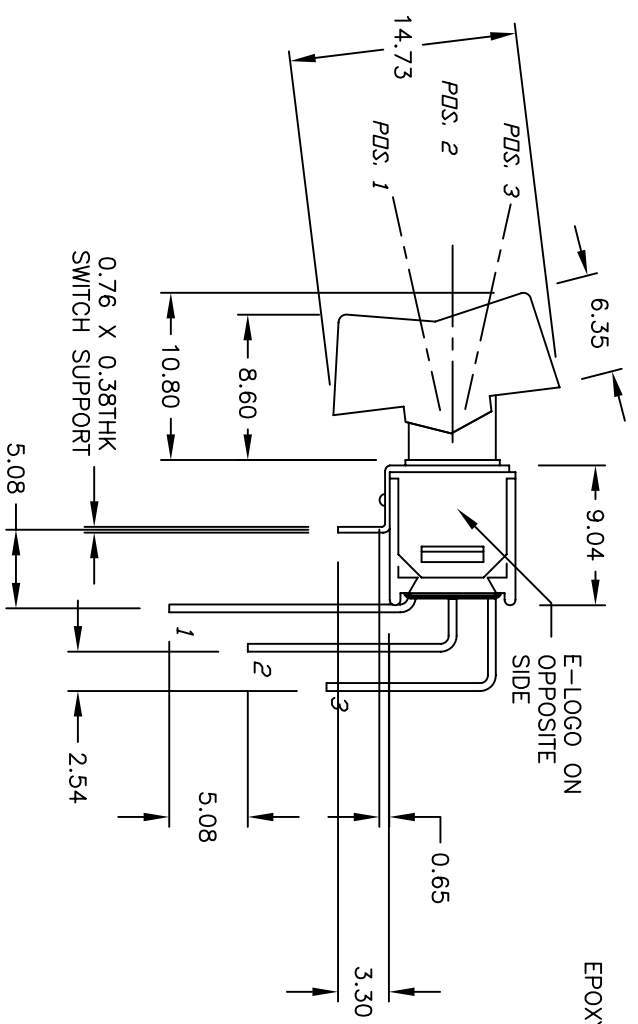
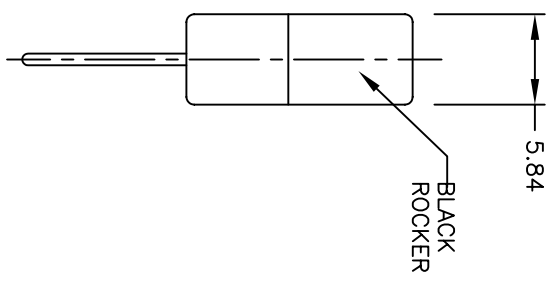


CIRCUIT: SPDT
CONTACT CONFIGURATION

SWITCH FUNCTION

PDS. 1	PDS. 2	PDS. 3
DN	NDNE	DN
2-3	OPEN	2-1

RECOMMENDED P.C.B. LAYOUT



- NOTES:
1. ALL DIMENSIONS IN MM
 2. GENERAL TOLERANCE: X.X=±0.4
X.XX=±0.25
 3. TERM. NOS. FOR REF. ONLY
 4. RATING: 3A@ 120VAC. OR 28VDC: 1A@ 250VAC.
 5. CONTACT MATERIAL: SILVER
 6. ELECTRIC LIFE: 30,000 make-and-break cycles at full load.
 7. INSULATION RESISTANCE: 1,000 M ohm min.
 8. DIELECTRIC STRENGTH: 1,000 V RMS @sea level.
 9. OPERATING TEMP. -30°C to +85°C
 10. ▲ DESIGNATE MAJOR FEATURE
 11. 2002/95/EC (ROHS) COMPLIANT

C	17007	FIXED TO BE LABELED SILVER	2/16/07	TN
B	12275	REVISED AND REDRAWN	2/18/03	CJB
		ADD BLACK, ADD NOTES	2/18/03	CJB
REV.	ECN No.	DESCRIPTION	DATE	CHKD

TITLE		SCALE	DATE	DR	DWG	REV
400MSP1R6BLKM7QE		2:1	2/16/2007	TN	T411005	C



THE INFORMATION CONTAINED IN THIS DOCUMENT IS PROPRIETARY TO E-SWITCH AND IS NOT TO BE COPIED OR TRANSFERRED