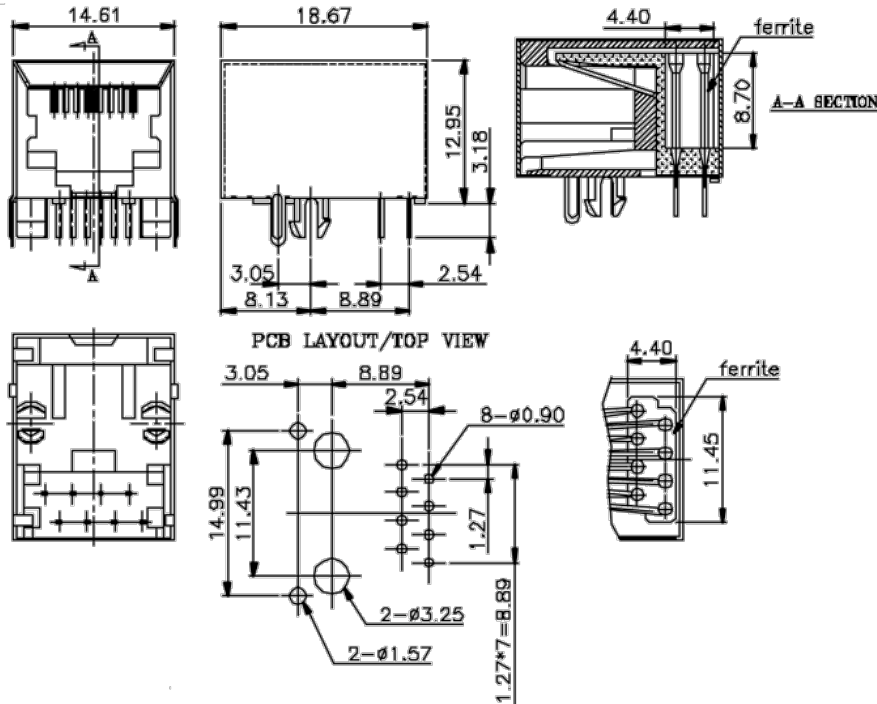


Side Entry Jack With Ferrite

Materials

Housing: Glass filled polyester UL94V-0 Black
 Contacts: 0.35mm thickness phosphor bronze, gold plating over nickel in contact area
 Tin plating over nickel in solder area

Directive 2002/95/EC
 „RoHS“
 Compliant



Order Information

33TS3010 SF - 88 B
 1 2 3 4

1. Series No.
 33TS3010

2. Contact Type
 SF:Shielded with ferrite
 NF:Unshielded with ferrite

3. No. Of Contacts
 64:6P4C
 66:6P6C
 88:8P8C

4. Gold Plating
 B: 6µ"
 For other plating options
 contact factory

Note:
 Packed in tray