

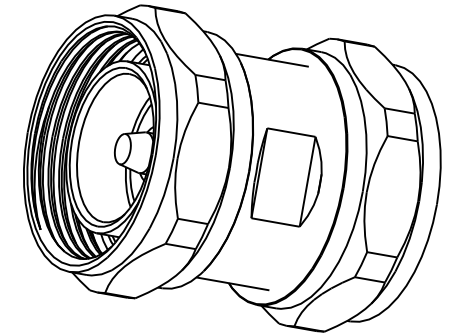
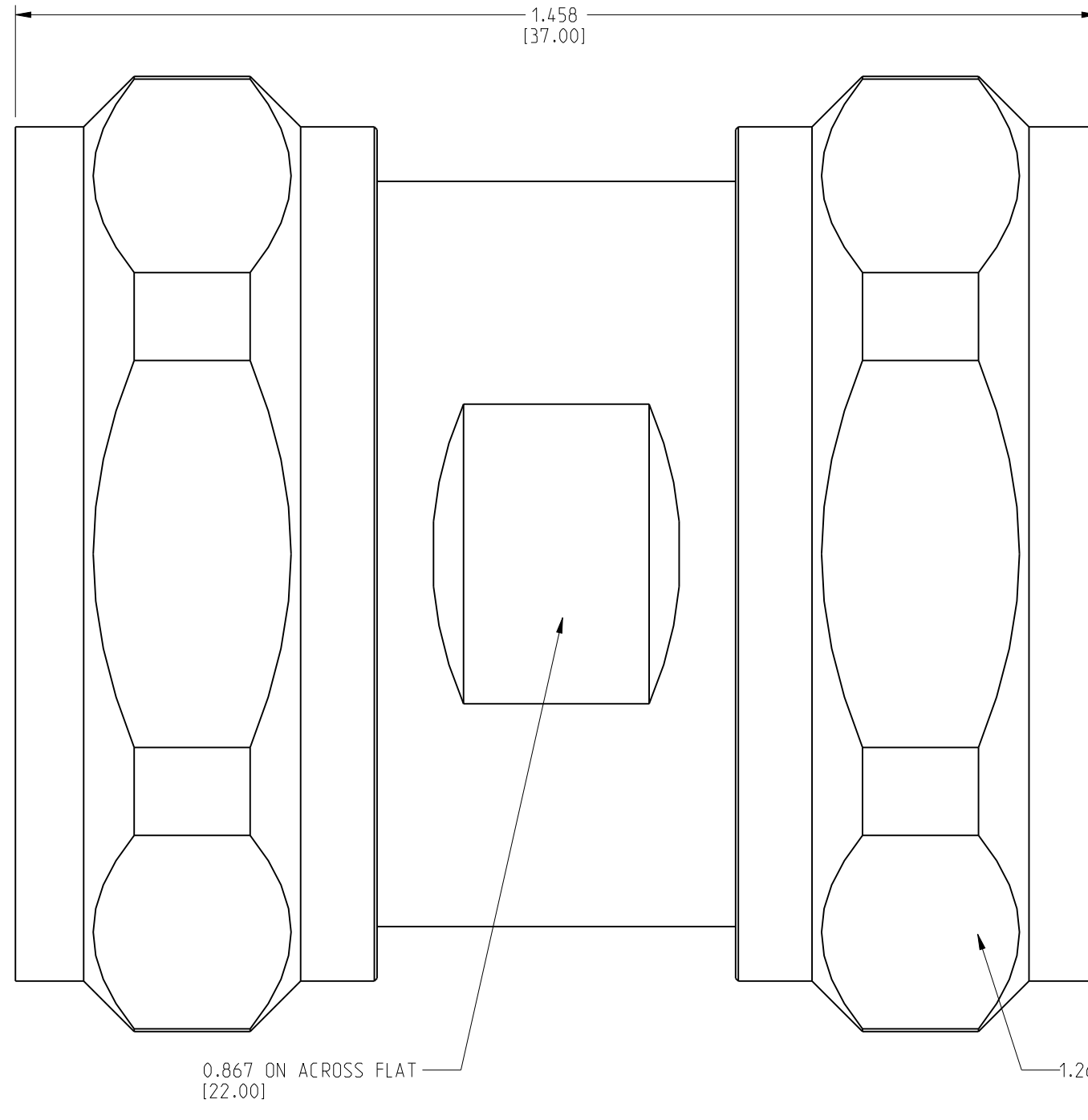
I.ELECTRIC PERFORMANCE:
 IMPEDANCE(Ω) : 50
 FREQUENCY RANGE : DC-6GHZ
 VSWR : ≤ 1.065 (0-3GHz)
 : ≤ 1.1 (3-6GHz)
 INSERT LOSS (dB) : ≤ 0.1
 PIM(dBc) : ≤ -160 (2X43dBm)
 INSULATION RESISTANCE ($M\Omega$) : >10000
 PROOF VOLTAGE (V) : 3000
 CONDUCTOR RESISTANCE ($m\Omega$) : OUTER CONDUCTOR <0.2
 INNER CONDUCTOR <0.8

II.MECHANICAL PERFORMANCE:
 NUT TORQUE : 25Nm
 MECHANICAL WEAR : 500

III.MATERIAL AND PLATING:
 INNER CONDUCTOR : BRASS PLATING Ag5 μ m
 OUTER CONDUCTOR : BRASS PLATING COPPER-TIN-ZINC 2 μ m
 COUPLING NUT : BRASS PLATING Ni5 μ m
 INSULATOR : PTFE

IV.ENVIRONMENT:
 TEMP.RANGE : -55°C TO +155°C
 WATERPROOFING STANDARD : IP67
 ROHS COMPLIANT

272134		REVISIONS			
DRAWING NO.	REV	DESCRIPTION	DATE	ECO	APPR
THIRD ANGLE PROJ.	A	UPDATE PLATING TO SILVER	29-Dec-00	--	
	B	UPDATE DRAWING FORMAT,CHANGE PLATING TO NEXCOTE	21-Mar-06	--	
	C	UPDATED DRAWING	08-Mar-10	2030	
	D	LOW PIM ADDED IN DESCRIPTION ISOMETRIC VIEW ADDED	01-Oct-12	2385	AAP



SCALE 1.100

4	NUT	BRASS	NICKEL	2
3	INNER CONDUCTOR	BRASS	SILVER	1
2	INSULATOR	PTFE	NATURAL	1
1	OUTER CONDUCTOR	BRASS	WHITE BRONZE	1
NO	DESCRIPTION	MATERIAL	FINISH	QTY

UNLESS OTHERWISE SPECIFIED, DIMENSIONS ARE IN INCHES AND TOLERANCES ARE:
 2 PLACE DECIMAL 3 PLACE DECIMAL ANGLES
 $\pm .015$ (0,381 mm) $\pm .005$ (0,127 mm) $\pm 1^\circ$

NOTICE - These drawings, specifications, or other data (1) are, and remain the property of Amphenol Corp. (2) must be returned upon request; and (3) are confidential and not to be disclosed to any person other than those to whom they are given by Amphenol Corp. The furnishing of these drawings, specifications, or other data by Amphenol Corp., or to any other person to anyone for any purpose is not to be regarded by implication or otherwise in any manner licensing, granting rights or permitting such holder or any other person to manufacture, use or sell any product, process or design, patented or otherwise, that may in any way be related to or disclosed by said drawings, specifications, or other data.

MATERIAL	DRAWN	DATE	TITLE	Amphenol Connex	
SEE NOTES	A ARUN PRABU	01-Oct-12	7/16 MALE TO MALE ADAPTER,LOW PIM	SCALE: 4.5:1 SHEET 1 OF 1	
REFERENCE	ENGINEER	DATE		DWG SIZE	DRAWING NO.
	A ARUN PRABU	01-Oct-12	B	272134	D
	APPROVED	DATE			
	CAD FILE				