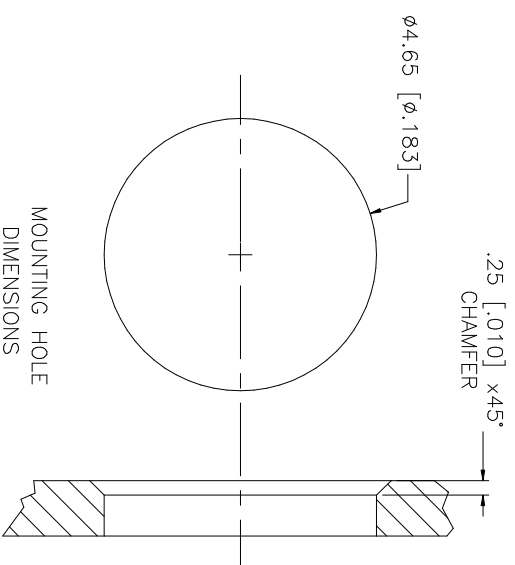
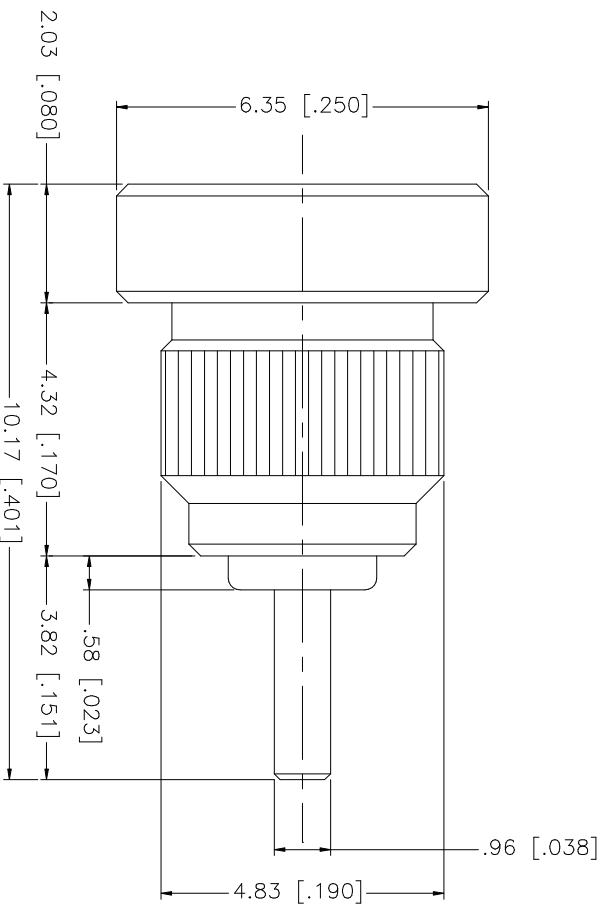


REV.	DATE	DESCRIPTION
NC	12/16/98	INITIAL RELEASE
A	09/30/05	UPDATE DRAWING FORMAT



UNLESS OTHERWISE SPECIFIED DIMENSIONS ARE IN MILLIMETERS. DIMENSIONS IN [] ARE IN INCHES AND FOR CUSTOMER REFERENCE ONLY.	UNLESS OTHERWISE SPECIFIED TOLERANCES FOR MILLIMETERS ARE:	UNLESS OTHERWISE SPECIFIED TOLERANCES FOR INCHES ARE:	APPROVALS	DATE	PART DESCRIPTION
	0.5 - 8mm ± 0.20mm	.020 - .315 ± 0.007"	DRAWN	09/30/05	Amphenol Connex MCX PRESS FIT RECEPTACLE PART NO. 252124
	8 - 30mm ± 0.40mm	.315 - 1.180 ± 0.015"	CHECKED		
	30 - 120mm ± 0.50mm	1.180 - 4.724 ± 0.020"	ISSUED		
			SHEET	1 OF 1	
			CAD FILE	C:/252/252124.DWG	
8					DWG. NO. 252124.DWG
7					REV. A
6					SIZE A
5					SCALE NA
4					
3	CONTACT PIN	BER. COPPER	GOLD	1	
2	INSULATOR	TEFLON	NATURAL	1	
1	BODY	BRASS	GOLD	1	
	DESCRIPTION	MATERIAL	FINISH	QTY	