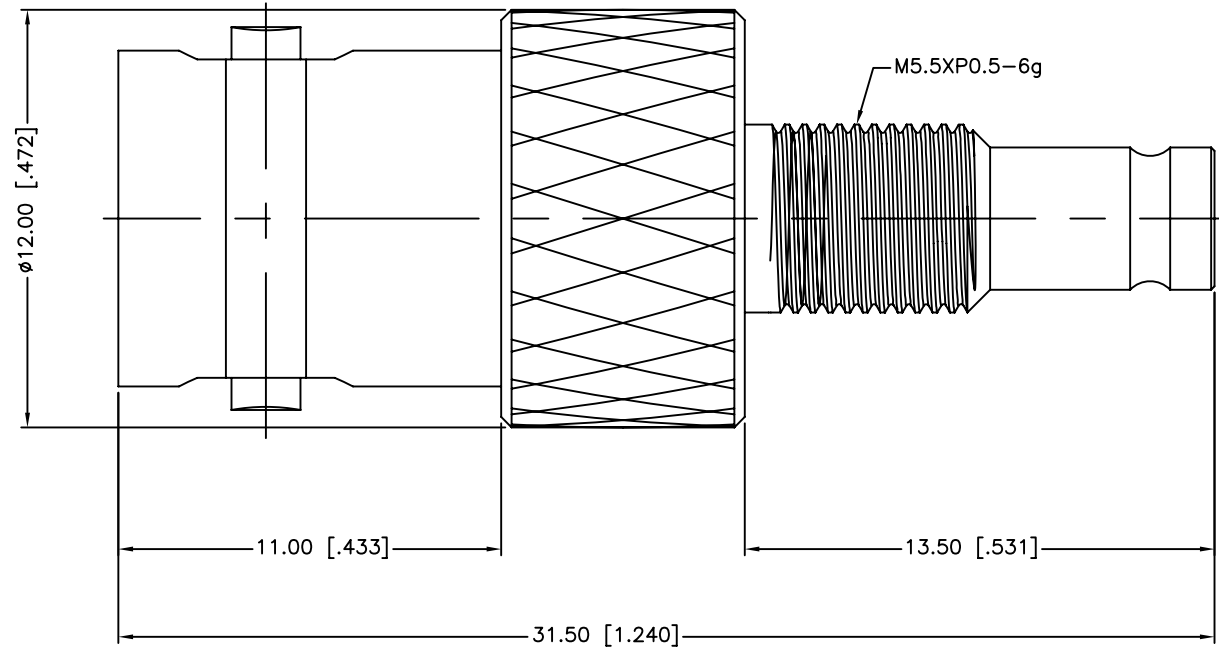


REV.	DATE	ECR NO.	DESCRIPTION
NC	11/03/10	XXXXXX	INITIAL RELEASE



1. FREQUENCY RANGE: DC 0-3 GHz
2. VSWR(RETURN LOSS): 1.15 MAX.

QTY	DESCRIPTION	MATERIAL	FINISH
1	CONTACT PIN	BER. COPPER	GOLD
3	BODY	BRASS	GOLD
2	INSULATOR	PTFE	NATURAL
1	BODY	BRASS	NICKEL

UNLESS OTHERWISE SPECIFIED DIMENSIONS ARE IN MILLIMETERS. DIMENSIONS IN [ ] ARE IN INCHES AND FOR CUSTOMER REFERENCE ONLY.		APPROVALS	DATE
UNLESS OTHERWISE SPECIFIED TOLERANCES FOR MILLIMETERS ARE: 0.5 - 8mm ± 0.20mm 8 - 30mm ± 0.40mm 30 - 120mm ± 0.50mm		DRAWN M.ZHANG	11/03/10
UNLESS OTHERWISE SPECIFIED TOLERANCES FOR INCHES ARE: .020 - .315 = ± 0.007" .315 - 1.180 = ± 0.015" 1.180 - 4.724 = ± 0.020"		CHECKED	
DO NOT SCALE DRAWING		ISSUED	
		SHEET 1 OF 1	
		CAD FILE C:/CONNEX/242229-75.DWG	

# Amphenol Connex

PART DESCRIPTION			
BNC JACK TO 1.0/2.3 JACK ADAPTOR (FOR 75 OHM)			
PART NO.		242229-75	
DWG. NO.	242229-75.DWG	REV.	NC
SIZE	A	SCALE	NA