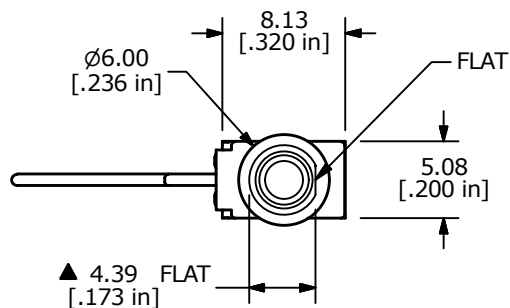
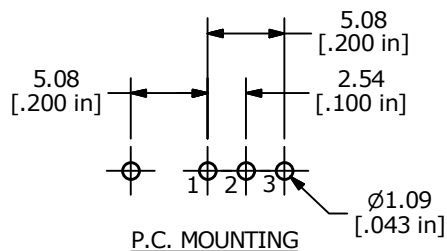


PANEL MOUNTING

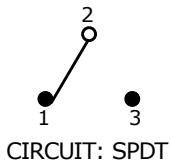


▲ SWITCH FUNCTION		
POS. 1	POS. 2	POS. 3
ON	OFF	(ON)
2-3	OPEN	2-1

(ON) = MOMENTARY



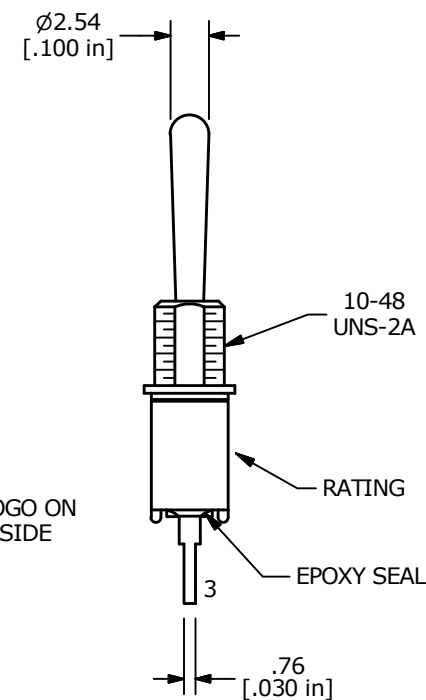
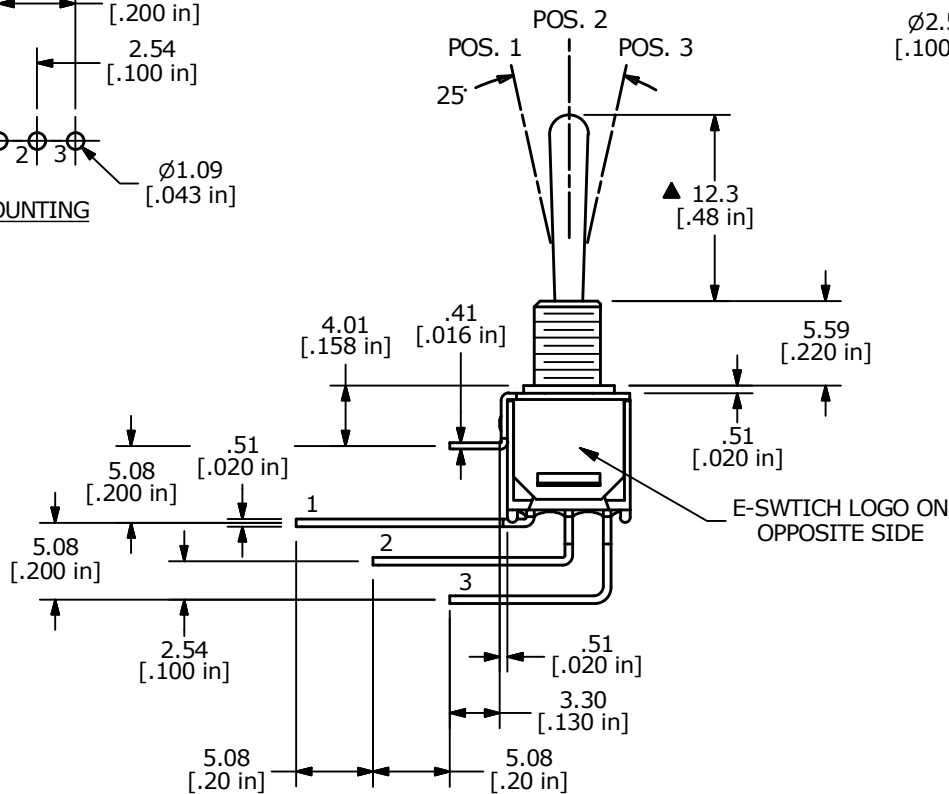
P.C. MOUNTING



CIRCUIT: SPDT

NOTE:

1. ALL DIMENSIONS IN MM [INCH]
2. GENERAL TOLERANCE: X.X = ±0.4
X.XX = ±0.25
3. TERMINAL NUMBERS FOR REF ONLY
4. CONTACT MATERIAL: SILVER
- ▲ 5. RATING: 3A @ 120VAC OR 28VDC
1A @ 250VAC
6. LIFE EXPECTANCY: 30,000 MAKE-AND-BREAK CYCLES AT FULL LOAD
7. INSULATION RESISTANCE: 1,000 MEGA-OHM MIN.
8. DIELECTRIC STRENGTH: 1,000 V RMS @SEA LEVEL.
9. OPERATING TEMP.: -30°C to 85°C
10. 2011/65/EU (ROHS) COMPLIANT
11. ▲ DENOTES CRITICAL PARAMETER.
12. HARDWARE TO BE SHIPPED BULK
T200001 - HEXNUT - QTY 2
T200000 - LOCKWASHER - QTY 1
T200002 - LOCKRING - QTY 1



B	23378	drawing update, correct Switch Function	5/25/18	MW
A	17908	RELEASED FOR PRODUCTION	12/27/08	BLR
REV	PCR NO	DESCRIPTION	DATE	BY

TITLE 200MSP5T4B1M7QEH				
SCALE 2:1	DATE 1/2/2008	DR BLR	DWG ST211108	REV B

THE INFORMATION CONTAINED IN THIS DOCUMENT IS PROPRIETARY TO E-SWITCH AND IS NOT TO BE COPIED OR TRANSFERRED