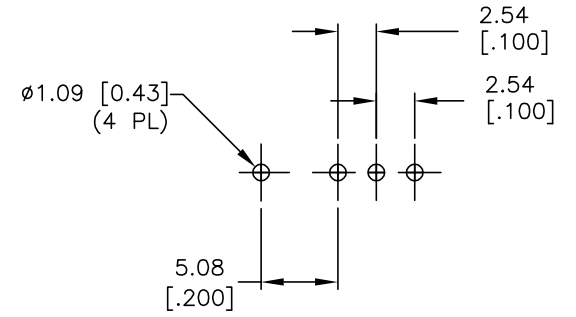
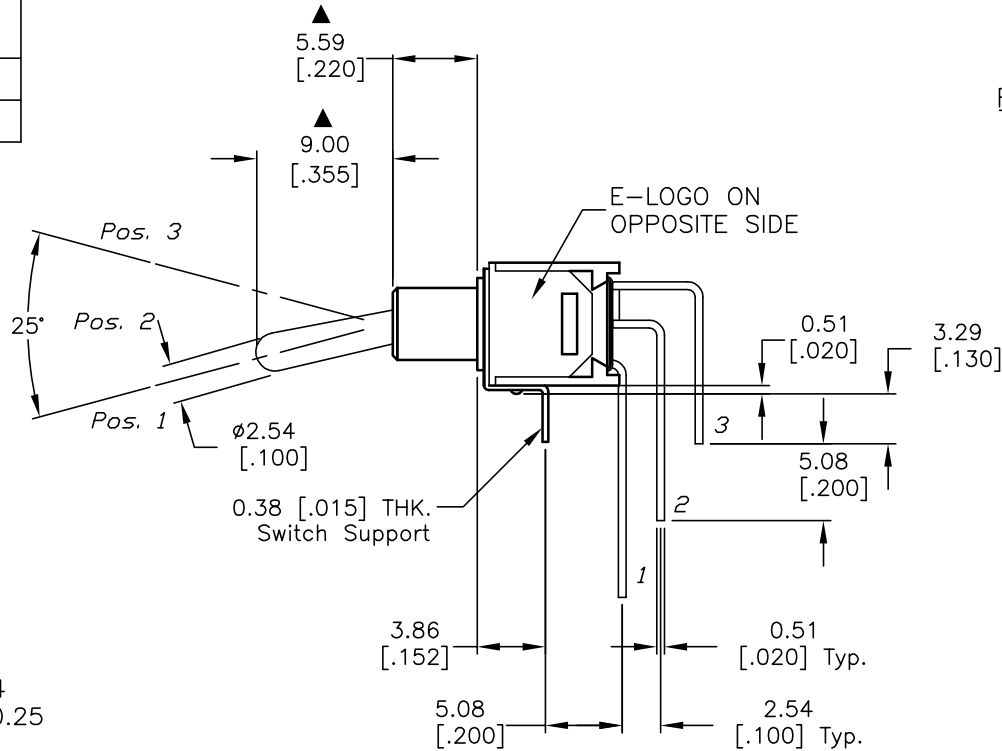
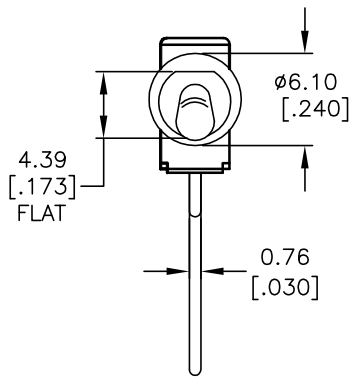
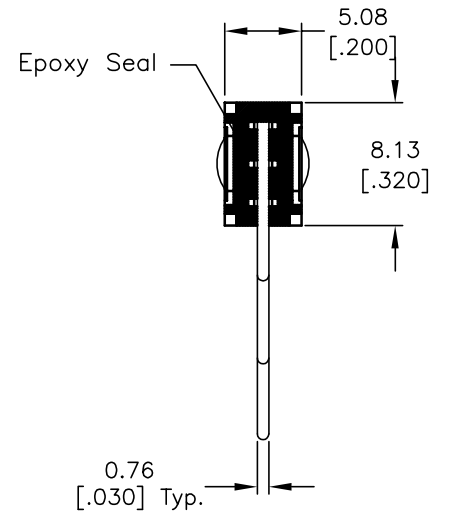


CIRCUIT: SPDT  
CONTACT CONFIGURATION

SWITCH FUNCTION		
PDS. 1	PDS. 2	PDS. 3
ON	OFF	ON
2-3	OPEN	2-1



RECOMMENDED P.C.B. LAYOUT



NOTES:

- ALL DIMENSIONS IN MM [INCH]
- GENERAL TOLERANCE: X.X=±0.4  
X.XX=±0.25
- TERM. NOS. FOR REF. ONLY
- RATING: 0.4VA @20V AC or DC max.
- FIXED TERM. MOVING CONTACT:  
Copper Alloy w/Gold plate  
over Nickel plate
- ELECTRICAL LIFE: 30,000 make-and-break cycle  
at full load.
- DIELECTRIC STRENGTH: 1,000 V RMS @sea level.
- OPERATING TEMP.: -30°C to 85°C
- ▲ DENOTES CRITICAL PARAMETER.

**E-SWITCH®**

TITLE				
200MSP3T1B2M7RE				
SCALE	DATE	DR	DWG	REV
2:1	2/26/04.	AR	T212012	A

THE INFORMATION CONTAINED IN THIS DOCUMENT  
IS PROPRIETARY TO E-SWITCH AND IS  
NOT TO BE COPIED OR TRANSFERRED

A	13807	RELEASED FOR PRODUCTION	2/26/04	AR
REV.	ECN No.	DESCRIPTION	DATE	CHKD