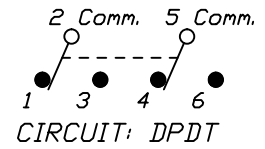
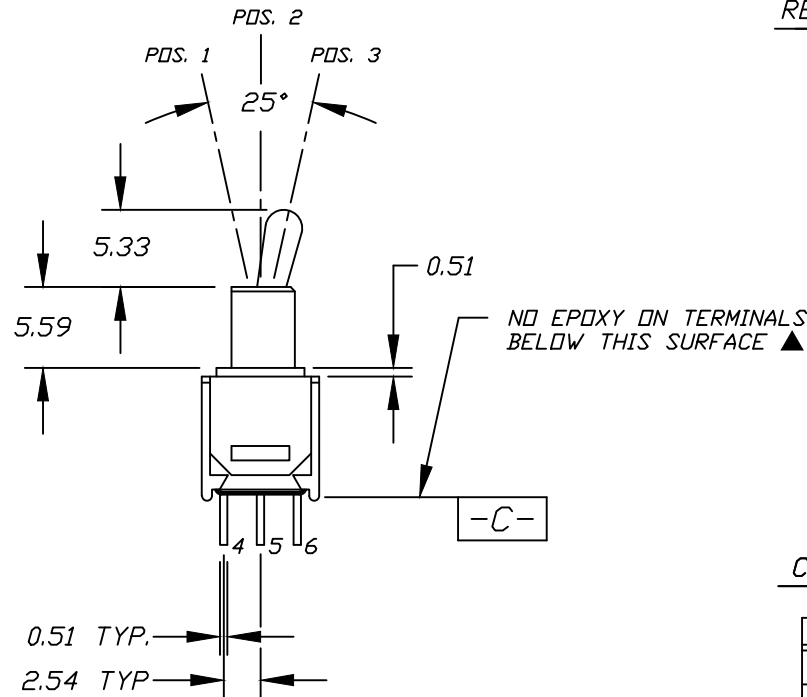
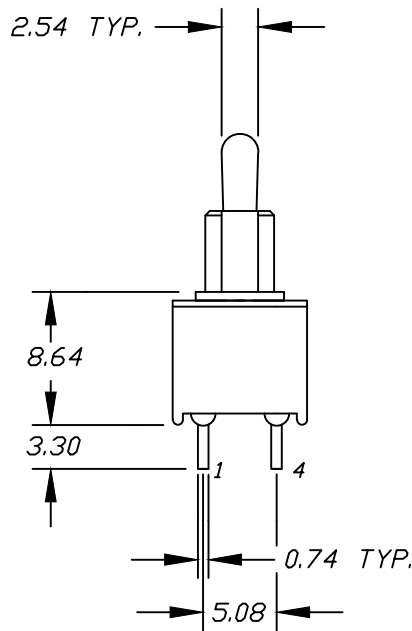


RECOMMENDED P.C.B. HOLES



CIRCUIT: DPDT
CONTACT CONFIGURATION

SWITCH FUNCTION		
PDS. 1	PDS. 2	PDS. 3
ON	NONE	ON
2-3,5-6	OPEN	2-1,5-4

NOTES:

1. ALL DIMENSIONS IN MM
2. TERM. NDS. FOR REF ONLY
3. RATING: 3 Amps @120VAC or 28VDC; 1 Amp @250VAC

C	update dimensions	4/23/18	MW	TOLERANCES	±0.4	TITLE 200MDP1T2B2M2QE				
B	REVISED & REDRAWN				±0.25					
REV.	DESCRIPTION	DATE	CHKD	0.0	0.00	SCALE 2:1	DATE 1/15/97	DR MM	DWG T221001	REV C
<small>THE INFORMATION CONTAINED IN THIS DOCUMENT IS PROPRIETARY TO E-SWITCH AND IS NOT TO BE COPIED OR TRANSFERRED</small>										