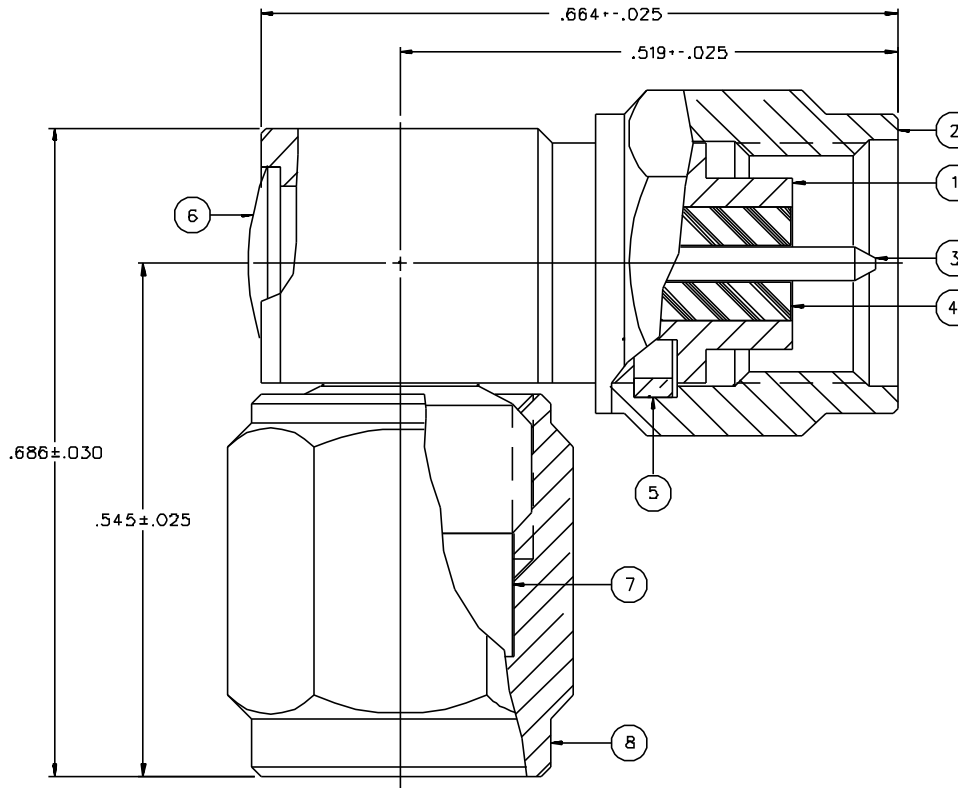


PART NUMBER	ITEM ① BODY	ITEM ② NUT	ITEM ③ CONTACT	ITEM ④ INSULATOR	ITEM ⑤ RETENTION SPRING	ITEM ⑥ END CAP	ITEM ⑦ CLAMP CONE
142-0207-101	BRASS GOLD PL .00001 MIN OVER NICKEL PL .00005 MIN OVER COPPER PL .00005 MIN	BRASS GOLD PL .00001 MIN OVER NICKEL PL .00005 MIN OVER COPPER PL .00005 MIN	BRASS GOLD PL .00005 MIN OVER NICKEL PL .00005 MIN OVER COPPER PL .00005 MIN	TEFLON	BERYLLIUM COPPER UNPLATED	BRASS GOLD PL .00001 MIN OVER NICKEL PL .00005 MIN OVER COPPER PL .00005 MIN	BRASS GOLD PL .00001 MIN OVER NICKEL PL .00005 MIN OVER COPPER PL .00005 MIN
142-0207-106	BRASS NICKEL PL .0001 MIN OVER COPPER PL .00005 MIN	BRASS NICKEL PL .0001 MIN OVER COPPER PL .00005 MIN	BRASS GOLD PL .00005 MIN OVER NICKEL PL .00005 MIN OVER COPPER PL .00005 MIN	TEFLON	BERYLLIUM COPPER UNPLATED	BRASS GOLD PL .0001 MIN OVER COPPER PL .00005 MIN	BRASS NICKEL PL .0001 MIN OVER COPPER PL .00005 MIN

PART NUMBER	ITEM ⑧ CLAMP NUT
142-0207-101	BRASS GOLD PL .00001 MIN OVER NICKEL PL .00005 MIN OVER COPPER PL .00005 MIN
142-0207-106	BRASS NICKEL PL .0001 MIN OVER COPPER PL .00005 MIN



NOTES:

1. SPECIFICATIONS:

IMPEDANCE: 50 OHMS
 FREQUENCY RANGE: 0-12.4 GHz
 VSWR: 1.15-.02 F MAX (F IN GHz)
 WORKING VOLTAGE: 335 VRMS MAX AT SEA LEVEL
 DIELECTRIC WITHSTANDING VOLTAGE: 1000 VRMS MIN AT SEA LEVEL
 INSULATION RESISTANCE: 5000 MEGOHM MIN
 CONTACT RESISTANCE:
 CENTER CONTACT - INITIAL 4.0 MILLIOHM MAX, AFTER ENVIRONMENTAL 6.0 MILLIOHM MAX
 OUTER CONDUCTOR - INITIAL 2.0 MILLIOHM MAX AFTER ENVIRONMENTAL NOT APPLICABLE
 BODY TO CABLE - 0.5 MILLIOHM MAX (GOLD PLATED) 5.0 MILLIOHM MAX (NICKEL PLATED)
 CORONA LEVEL: 250 VOLTS MIN AT 70,000 FEET
 INSERTION LOSS: .35 F (F IN GHz) AT 6 GHz
 RF LEAKAGE: -60 DB MIN AT 2.5 GHz
 RF HIGH POTENTIAL WITHSTANDING VOLTAGE: 670 VRMS AT 4 AND 7 MHZ

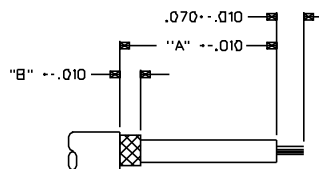
MECHANICAL:

ENGAGE/DISENGAGE TORQUE: 2 INCH-POUNDS MAX
 MATING TORQUE: 7-10 INCH POUNDS
 COUPLING PROOF TORQUE: 15 INCH-POUNDS MIN
 COUPLING NUT RETENTION: 6D LBS MIN
 CONTACT RETENTION: 6 LBS MIN
 CABLE ACCEPTABILITY: RG 5B GROUP: RG 5B, RG 303, RG 141
 RG 142 GROUP: RG 141, RG 223, RG 400, RG 55
 CABLE HEX CRIMP SIZE: NOT APPLICABLE
 CABLE RETENTION: 40 LBS MIN AXIAL FORCE (SINGLE SHIELD), 45 LBS FORCE (DOUBLE SHIELD)
 DURABILITY: 500 CYCLES MIN

ENVIRONMENTAL:

(MEETS OR EXCEEDS THE APPLICABLE PARAGRAPH OF MIL-C-39012)
 THERMAL SHOCK: MIL-STD-202, METHOD 107, CONDITION B EXCEPT -B5 DEG C HIGH TEMP
 OPERATING TEMPERATURE: -65 DEG C TO 165 DEG C
 CORROSION: MIL-STD-202, METHOD 101, CONDITION B
 SHOCK: MIL-STD-202, METHOD 213, CONDITION I
 VIBRATION: MIL-STD-202, METHOD 204, CONDITION D
 MOISTURE RESISTANCE: MIL-STD-202, METHOD 106

CABLE	DIM "A"	DIM "B"
RG 5B GROUP	.395	.160
RG 142 GROUP	.420	.180



CABLE STRIP DIMENSIONS

4:1

DRAWING NO. C - 142-0207-101/110			
0 REVISIONS			
ENGINEERING RELEASE			
1	1-22-91	R H T A W	2-4-91 ECO 24992
CHANGED: DIM "A" .395 WAS .280 & .420 WAS .360. DIM "B" .160 WAS .053 & .180 WAS .190. RF LEAK 2.5 GHz WAS 2 TO 3, RF HIGH POT 4 & 7 MHZ WAS 5 TO 7.5, ITEM 3 GOLD PL WAS .00003			
2	6-24-92	R H T A W	7-22-92 ECO 40919
VERSION UPDATE			
3	12-14-93	R H T A W	ECO 42108

CUSTOMER DRAWING

THIS DRAWING TO BE INTERPRETED PER ANSI Y 14.5M - 1982

"μSTATION"

COMPANY CONFIDENTIAL

TOLERANCE UNLESS OTHERWISE SPECIFIED	DRAWN BY EJ	DATE 5-1-90	 <small>Cinch Connectivity Solutions 299 Johnson Ave. Ste. 100 Worcester, MA 01605 1-800-247-8256</small>	
DECIMALS .XX	CHECKED BY	DATE	TITLE PLUG ASSEMBLY, RA CABLED, RG 5B, 142 SMA	
.XXX	APPROVED BY VET/TAK	DATE 1-29-91	CODE NO.	DRAWING NO. C - 142-0207-101/110
MATL	APPROVED BY	DATE	SCALE 10:1	U/W INCH SHEET 2 OF 2
FINISH	RELEASE DATE			