

Connector set - HC-EVO-B10PT-BWSC-HL-M25-PLRBK - 1408791

Please be informed that the data shown in this PDF Document is generated from our Online Catalog. Please find the complete data in the user's documentation. Our General Terms of Use for Downloads are valid (<http://phoenixcontact.com/download>)



EVO connector set, B10 series, plastic housing, consisting of sleeve housing, panel mounting base, push-in contact inserts: 1407729, 1407730, 1407633, 1407626, 1407670

Product Features

- Lower costs than metal version
- Labeling option using 9 x 20 mm marking label
- Low weight
- Lower risk of condensation
- Both contact insert PE sheets are connected by means of a metal frame integrated in the sleeve housing
- Metal inlays ensure leading PE contact with angled plugs
- Completely corrosion-resistant
- Halogen-free plastic
- Impact test according to IK 08
- Marking label can be attached



Key Commercial Data

Packing unit	1 pc
Weight per Piece (excluding packing)	400.0 g
Custom tariff number	85366990
Country of origin	Germany

Technical data

General

Number of positions	10+PE
Type	B10
Connection method	Push-in connection
Cable exit	straight

Connector set - HC-EVO-B10PT-BWSC-HL-M25-PLRBK - 1408791

Technical data

General

Degree of protection for housing	IP66
	IP66 (with closed protective cover)
	4 (UL50e / NEMA 250)
	4X (UL50e / NEMA 250)
	12 (UL50e / NEMA 250)
Connection method	Push-in connection
Rated voltage (III/3)	500 V
Rated surge voltage	6 kV
Rated current	16 A

Standards and Regulations

Flammability rating according to UL 94	V0
--	----

Articles in set

Contact insert - HC-B 10-I-PT-F - 1407729



HEAVYCON socket insert, B10 series, 10 + PE-pos., push-in connection

Contact insert - HC-B 10-I-PT-M - 1407730



HEAVYCON pin insert, B10 series, 10 + PE-pos., push-in connection

Housing - HC-EVO-B10-BWSC-PLRBK - 1407633



HEAVYCON EVO panel mounting base, plastic, B10, with single locking latch, height: 30.5 mm, with flat gasket, with protective cover

Connector set - HC-EVO-B10PT-BWSC-HL-M25-PLRBK - 1408791

Articles in set

Housing - HC-EVO-B10-HLFS-PLBK - 1407626



HEAVYCON EVO sleeve housing, plastic, with bayonet flange for EVO screw connection, B10, for single locking latch, height: 60.5 mm, without EVO screw connection

Cable gland - HC-B-G-M25-PLRBK - 1407670



EVO plastic cable gland with bayonet locking, for housing series B, size M25, cable diameter: 9 ... 17 mm

Classifications

eCl@ss

eCl@ss 4.0	272607xx
eCl@ss 4.1	27260701
eCl@ss 5.0	27143424
eCl@ss 5.1	27143424
eCl@ss 6.0	27143424
eCl@ss 7.0	27440209
eCl@ss 8.0	27440202

ETIM

ETIM 3.0	EC000438
ETIM 4.0	EC000437
ETIM 5.0	EC000437

UNSPSC

UNSPSC 6.01	30211923
UNSPSC 7.0901	39121522
UNSPSC 11	39121522
UNSPSC 12.01	39121522
UNSPSC 13.2	39121522

Connector set - HC-EVO-B10PT-BWSC-HL-M25-PLRBK - 1408791

Approvals

Approvals

Approvals

EAC / EAC

Ex Approvals

Approvals submitted

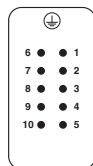
Approval details

EAC

EAC

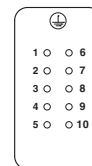
Drawings

Schematic diagram



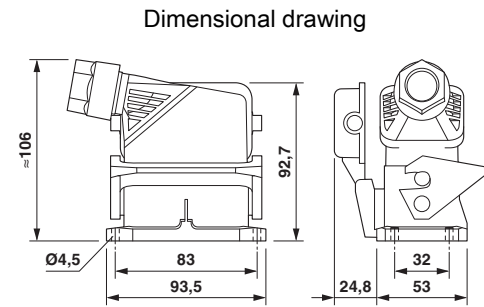
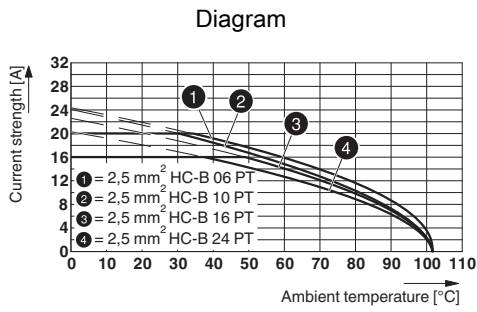
Pin assignment, connection side, pin

Schematic diagram



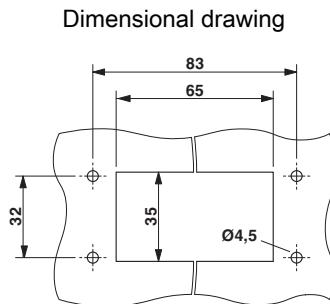
Pin assignment, connection side, socket

Connector set - HC-EVO-B10PT-BWSC-HL-M25-PLRBK - 1408791



Derating diagram

Dimensional drawing



Panel cutout