

NOTES:

1. MATERIALS AND FINISHES:

- FERRULE - BRASS, GOLD PLATING
- BODY - BRASS, GOLD PLATING
- CONTACT - BeCu, GOLD PLATING
- INSULATOR - PTFE, NATURAL

2. ELECTRICAL:

- A. IMPEDANCE: 50 OHM
- B. FREQUENCY RANGE: 0-12.4 GHz
- C. D.W.V: 1000 VRMS, MIN.

3. MECHANICAL:

- A. DURABILITY: 500 CYCLES MIN.
- B. TEMPERATURE RANGE: -65°C TO +165°C

4. CRIMPED FERRULE HEX CRIMP SIZE .255"

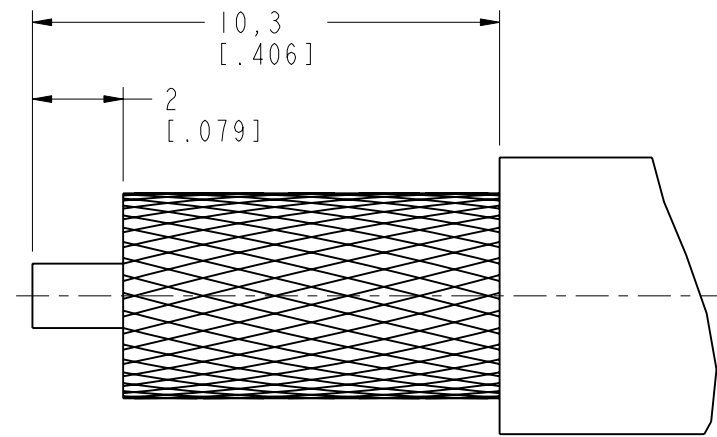
5. CONTACT PIN TO SOLDER

6. SHOWS CABLE ENTRY DIMENSIONS.

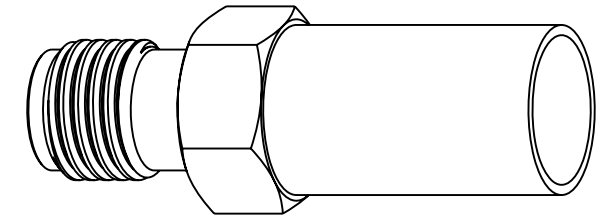
THIRD ANGLE PROJ.

REVISIONS

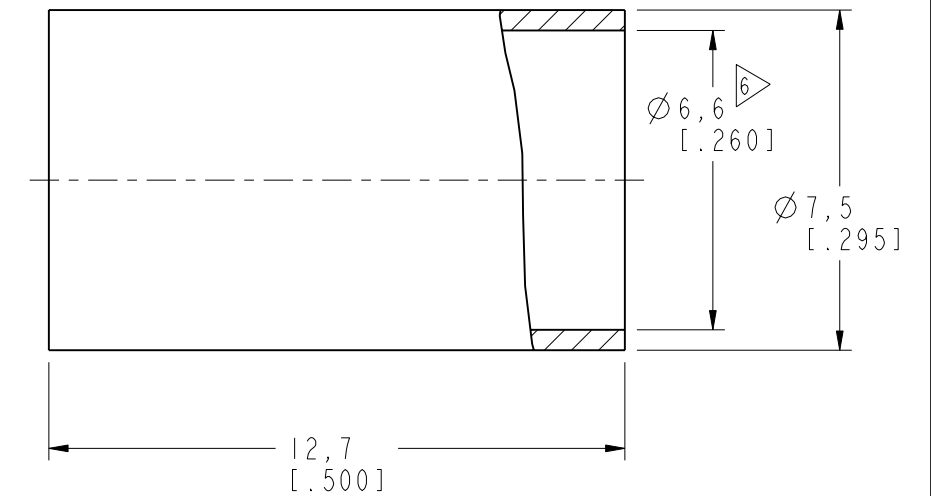
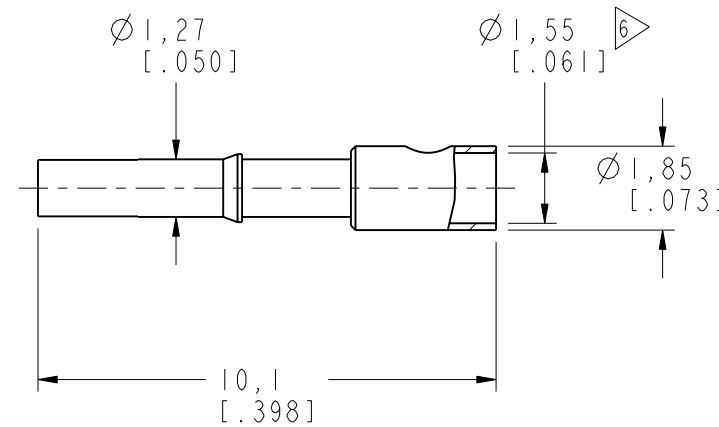
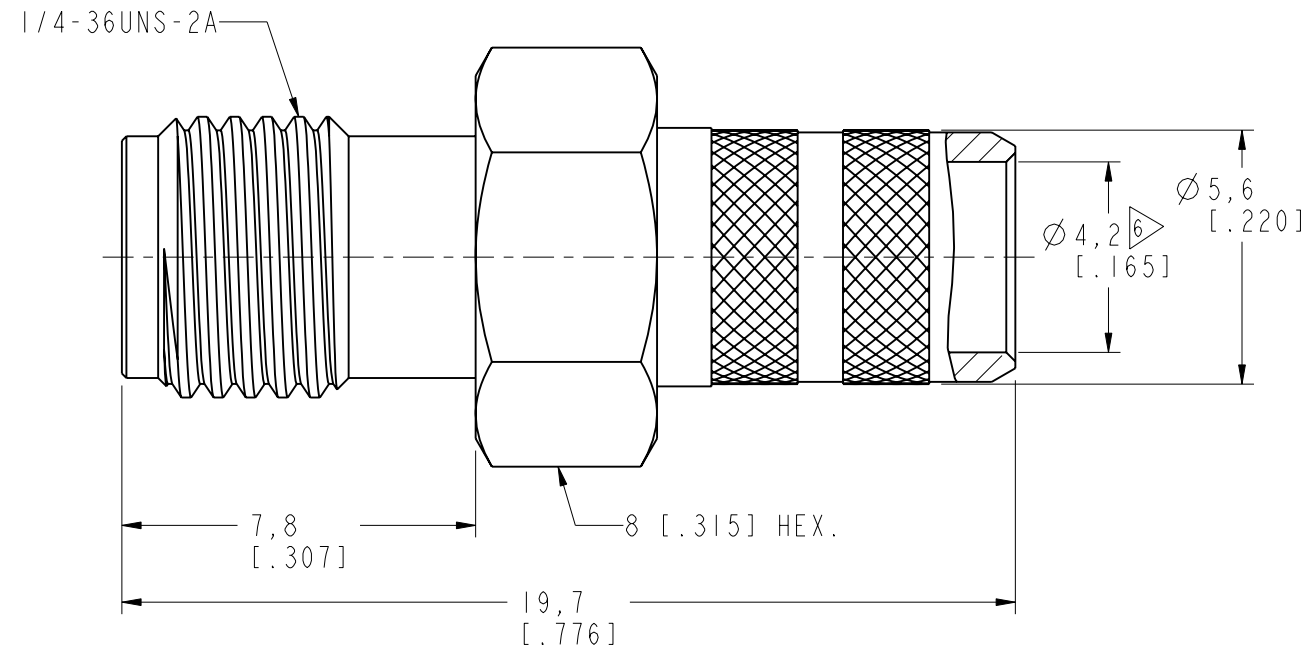
REV	DESCRIPTION	DATE	ECO	APPR
NC	INITIAL RELEASE	08-Dec-01	-----	GRS
A	UPDATE DRAWING FORMAT	08-Jan-07	-----	GRS
C	SYNC, REDRAWN IN THE PRO/E\N/A	18-Oct-16	02163	SH



RECOMMENDED  
CABLE STRIPPING DIM'S



SCALE 3.000



**CUSTOMER OUTLINE DRAWING**

ALL OTHER SHEETS ARE FOR INTERNAL USE ONLY

<p>UNLESS OTHERWISE SPECIFIED, DIMENSIONS ARE IN METRIC AND TOLERANCES ARE:                  &lt;0.5mm ±0.05mm    0.5 - 6mm ±0.1mm    6 - 30mm ±0.2mm    30 - 120mm ±0.3mm    ANGLES ±1°</p> <p>NOTICE - These drawings, specifications, or other data (1) are, and remain the property of Amphenol corp. (2) must be returned upon request; and (3) are confidential and not to be disclosed to any person other than those to whom they are given by Amphenol Corp. the furnishing of these drawings, specifications, or other data by Amphenol Corp., or to any other person to anyone for any purpose is not to be regarded by implication or otherwise in any manner licensing, granting rights to permitting such holder or any other person to manufacture, use or sell any product, process or design, patented or otherwise, that may in any way be related to or disclosed by said drawings, specifications, or other data.</p>	MATERIAL	DRAWN M. ZHANG	DATE 18-Oct-16	<p>TITLE SMA CRIMP JACK (FOR RG-8/X, LMR240)</p>	<p>Amphenol RF www.amphenolrf.com</p>
	REFERENCE AND CONFIGURATION LEVEL:	ENGINEER MARK.C	DATE 06-Jul-99		
FINISH	APPROVED S. HSIEH	DATE 18-Oct-16	SCALE: 6.0:1.0	SHEET 2 OF 2	ITEM NO. 1161111AAH89GA5F
			DWG SIZE B	REV C	PART NO. 132240