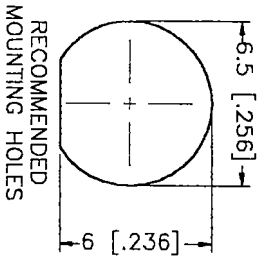
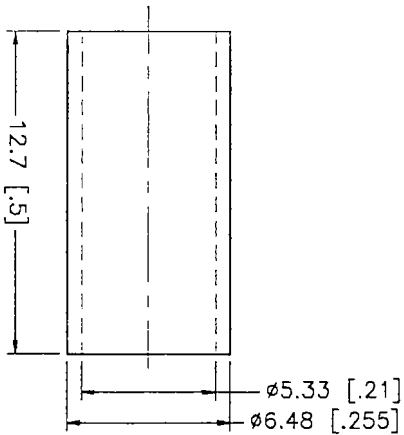
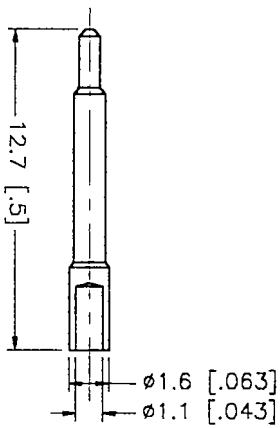
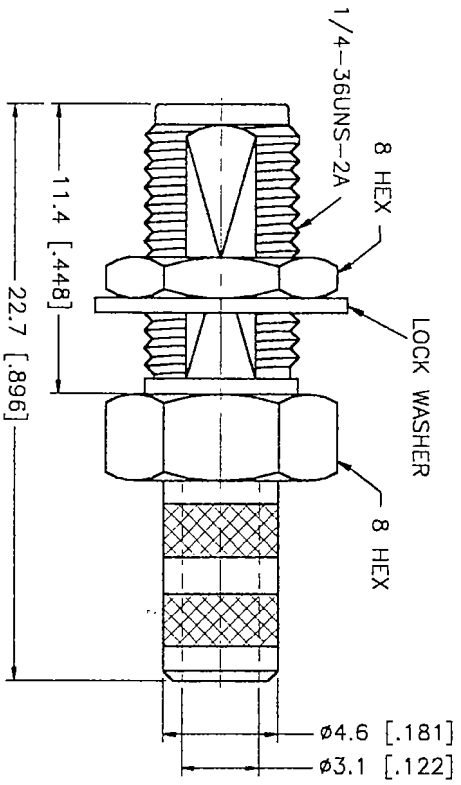
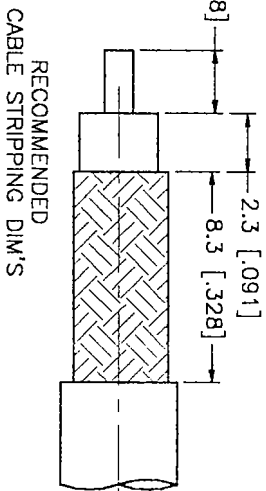


REV.	DATE	DESCRIPTION
NC	09/01/98	INITIAL RELEASE



RECOMMENDED MOUNTING HOLES



RECOMMENDED CABLE STRIPPING DIM'S

DESCRIPTION	MATERIAL	FINISH	UNLESS OTHERWISE SPECIFIED DIMENSIONS ARE IN MILLIMETERS FOR CUSTOMER REFERENCE ONLY	APPROVALS	DATE	TITLE
1 BODY	BRASS	GOLD		DRAWN G.R.S.	09/01/98	Comnex Connector Corporation SMA BULKHEAD CRIMP JACK REVERSE POLARIZED(FOR RG-58C, 58/U CABLE) SCALE NA PART NO. 132118-RP SHEET 1 OF 1 DWG. NO. 132118-RP.DWG REV. NC
2 INSULATOR	TEFLON	NATURAL		CHECKED		
3 CONTACT PIN	BER. COPPER	GOLD		ISSUED		
4 FERRULE	COPPER	GOLD	UNLESS OTHERWISE SPECIFIED TOLERANCES FOR MILLIMETERS ARE: 0.5-8 = ± 0.2 8-30 = ± 0.4 30-120 = ± 0.6 120-315 = ± 1 315-1000 = ± 1.6 1000-2000 = ± 2.4			
5 LOCK WASHER	BRASS	GOLD				
6 HEX NUT	BRASS	GOLD				
7						
8						

UNLESS OTHERWISE SPECIFIED DIMENSIONS ARE IN MILLIMETERS FOR CUSTOMER REFERENCE ONLY

UNLESS OTHERWISE SPECIFIED TOLERANCES FOR MILLIMETERS ARE:
0.5-8 = ± 0.2
8-30 = ± 0.4
30-120 = ± 0.6
120-315 = ± 1
315-1000 = ± 1.6
1000-2000 = ± 2.4

DO NOT SCALE DRAWING