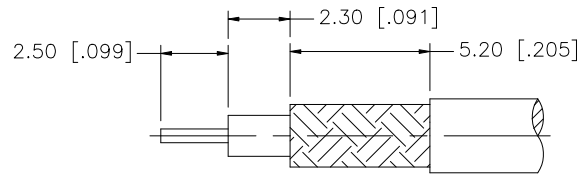
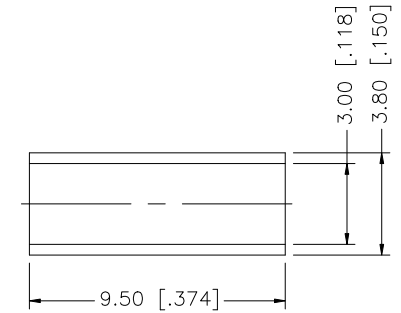
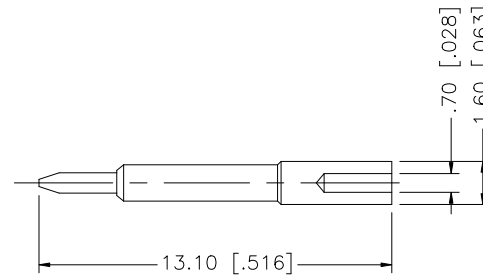
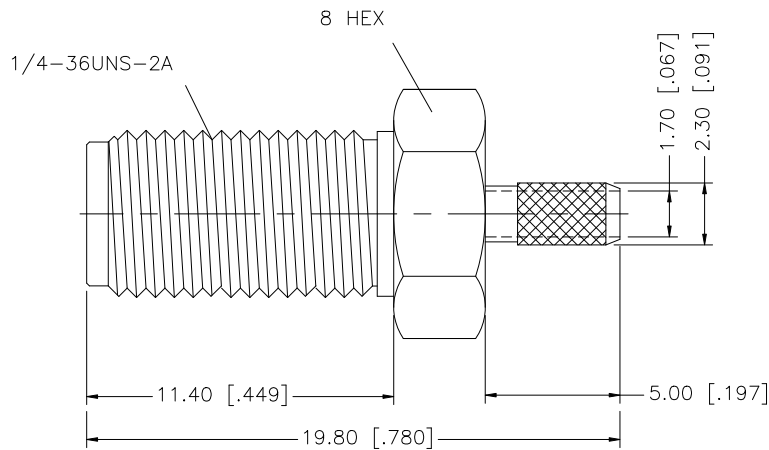


REV.	DATE	DESCRIPTION
NC	01/25/00	INITIAL RELEASE
A	02/19/07	UPDATE DRAWING FORMAT
B	06/14/07	REVISE CRIMP NOTES
C	09/03/07	REVISE CRIMP NOTES, REMOVE NOTE 2.



RECOMMENDED  
CABLE STRIPPING DIM'S



NOTE:  
1. CRIMPED FERRULE HEX CRIMP SIZE .128"

DESCRIPTION	MATERIAL	FINISH	QTY
8			
7			
6			
5			
4	FERRULE	BRASS	GOLD
3	CONTACT PIN	BRASS	GOLD
2	INSULATOR	TEFLON	NATURAL
1	BODY	BRASS	GOLD

UNLESS OTHERWISE SPECIFIED DIMENSIONS ARE IN MILLIMETERS. DIMENSIONS IN [ ] ARE IN INCHES AND FOR CUSTOMER REFERENCE ONLY.

UNLESS OTHERWISE SPECIFIED TOLERANCES FOR MILLIMETERS ARE:  
0.5 - 8mm ± 0.20mm  
8 - 30mm ± 0.40mm  
30 - 120mm ± 0.50mm

UNLESS OTHERWISE SPECIFIED TOLERANCES FOR INCHES ARE:  
.020 - .315 = ± 0.007"  
.315 - 1.180 = ± 0.015"  
1.180 - 4.724 = ± 0.020"

DO NOT SCALE DRAWING

APPROVALS	DATE
DRAWN G.R.S.	09/03/07
CHECKED	
ISSUED	
SHEET 1 OF 1	
CAD FILE	C:/132/132117RP.DWG

**Amphenol Connex**

PART DESCRIPTION  
SMA REVERSE POLARITY CRIMP JACK  
(FOR RG-174/U, 188A/U, 316/U CABLE)

PART NO.  
132117RP

DWG. NO.	132117RP.DWG	REV.	C	SIZE	A	SCALE	NA
----------	--------------	------	---	------	---	-------	----