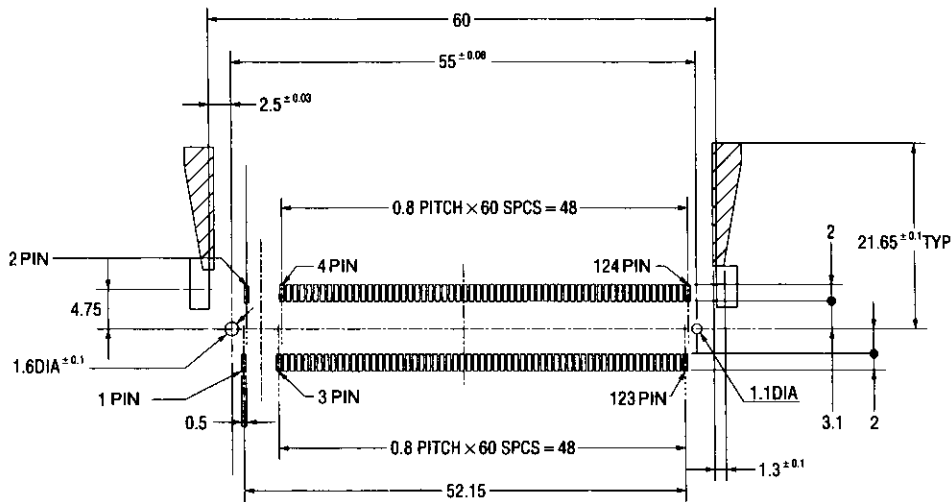
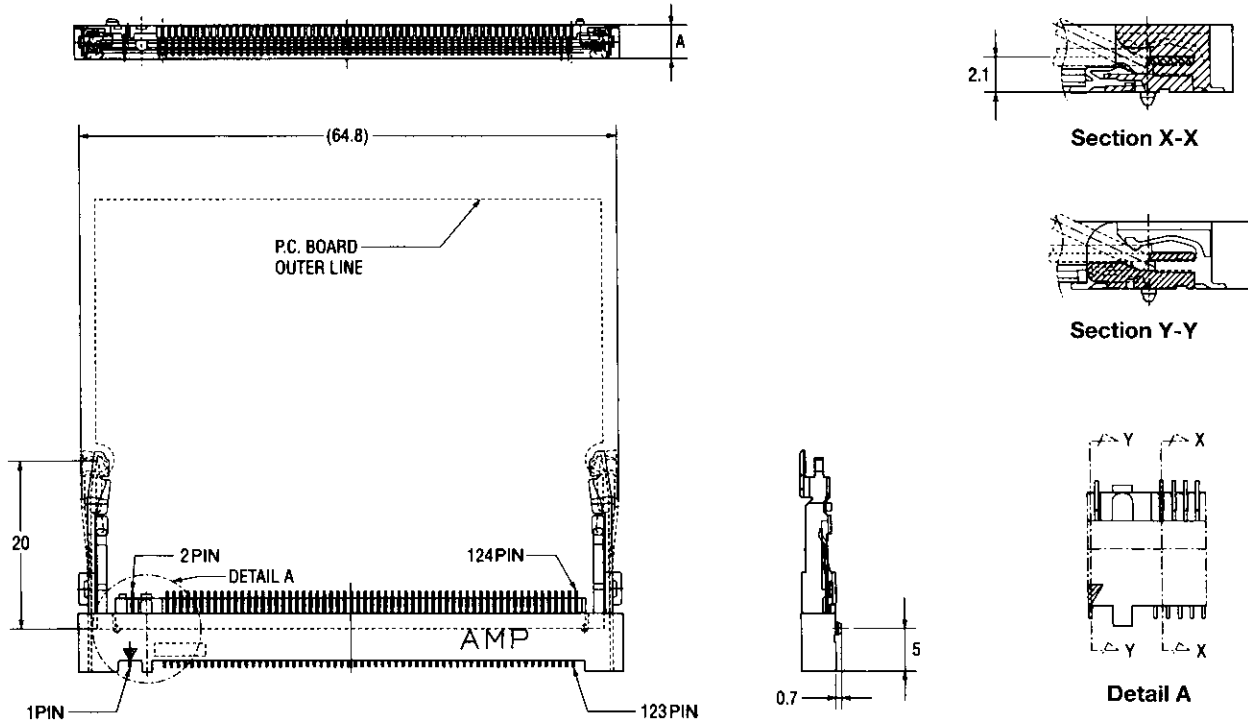


Sockets

Mini PCI Socket

2



PC Board Layout

No. of Pos.	Dimension A	P/N of Semi-hard Tray Packaged (Qty.)	P/N (Emboss tape mounted) (Qty.)
124	4.0	1318228-1 (20)	1318644-1 (270)
124	5.2	1318916-1 (20)	—