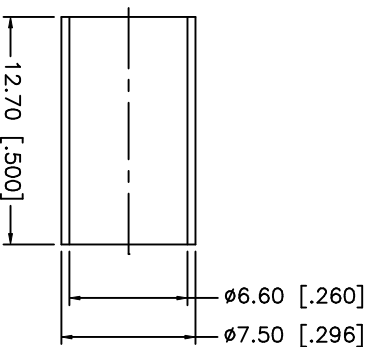
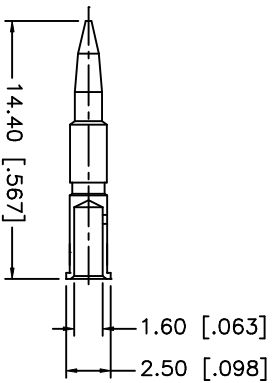
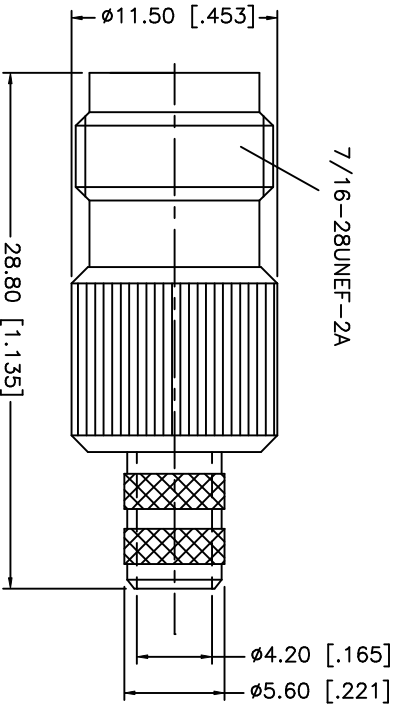
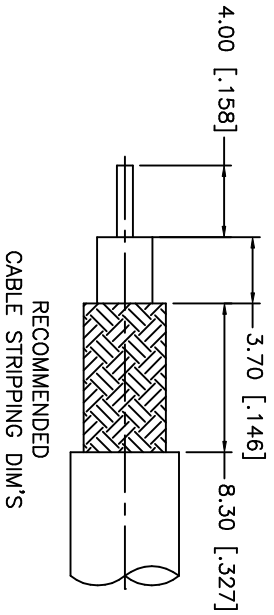


REV.	DATE	DESCRIPTION
NC	08/05/99	INITIAL RELEASE
A	07/20/05	UPDATE DRAWING FORMAT



NO.	DESCRIPTION	MATERIAL	FINISH	QTY
8	UNLESS OTHERWISE SPECIFIED, DIMENSIONS ARE IN INCHES UNLESS INDICATED OTHERWISE IN PARAGRAPHS AND FOR CUSTOMER REFERENCE ONLY.			
7	UNLESS OTHERWISE SPECIFIED, DIMENSIONS FOR MILLIMETERS ARE: 0.5 - 8mm ± 0.20mm			
6	UNLESS OTHERWISE SPECIFIED, DIMENSIONS FOR MILLIMETERS ARE: 8 - 30mm ± 0.40mm			
5	UNLESS OTHERWISE SPECIFIED, DIMENSIONS FOR MILLIMETERS ARE: 30 - 120mm ± 0.50mm			
4	FERRULE	COPPER	NICKEL	1
3	CONTACT PIN	PHOS. BRONZE	GOLD	1
2	INSULATOR	TEFLON	NATURAL	1
1	BODY	BRASS	NICKEL	1
	DESCRIPTION	MATERIAL	FINISH	QTY

APPROVALS	DATE
DRAWN G.R.S.	07/20/05
CHECKED	
ISSUED	
SHEET	1 OF 1

CAD FILE C:/122/122409RP.DWG		DWG. NO. 122409RP.DWG	REV. A	SIZE A	SCALE NA
------------------------------	--	-----------------------	--------	--------	----------

**Amphenol Connex**

TNC CRIMP JACK - REVERSE POLARIZED  
(FOR RG-8X, TIMES LMR-240 CABLE)

PART NO. 122409RP