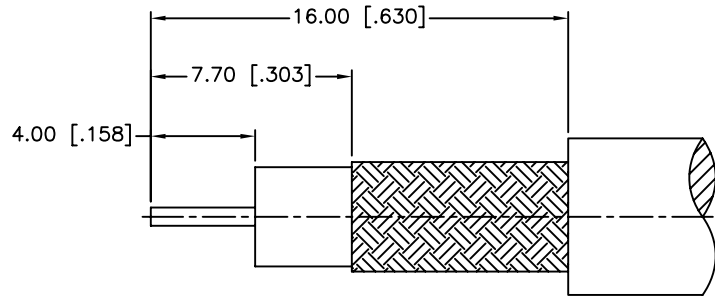
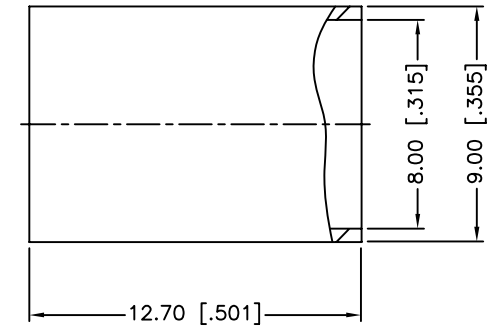
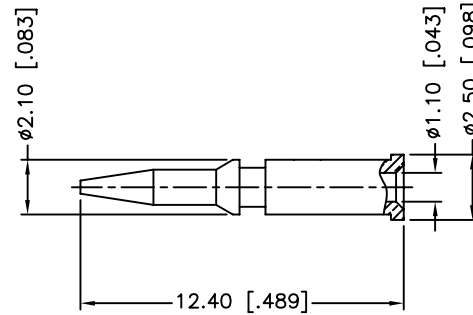
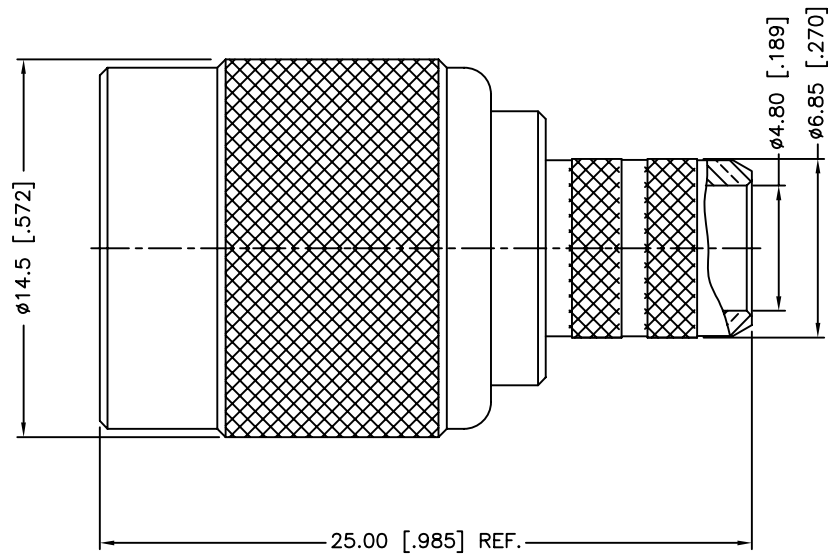


REV.	DATE	ECR NO.	DESCRIPTION
A	11/20/97	XXXXXX	ADD CENTER CONTACT
B	07/19/07	XXXXXX	UPDATE DRAWING FORMAT
C	08/04/10	2084	ADD HEX CRIMP DEMENSIONS TO DRAWING



RECOMMENDED
CABLE STRIPPING DIM'S



1. CRIMPED FERRULE
HEX CRIMP SIZE .305"
2. CRIMPED CONTACT PIN
HEX CRIMP SIZE .068"

9	FERRULE	BRASS	NICKEL	1
8	CONTACT PIN	BRASS	GOLD	1
7	WASHER	BRASS	NICKEL	1
6	RING	DELTRIN	NATURAL	1
5	RETAINER RING	BRASS	NICKEL	1
4	GASKET	RUBBER	RED	1
3	INSULATOR	DELTRIN	NATURAL	2
2	BODY	BRASS	NICKEL	1
1	SHELL	BRASS	NICKEL	1
	DESCRIPTION	MATERIAL	FINISH	QTY

UNLESS OTHERWISE SPECIFIED DIMENSIONS ARE IN MILLIMETERS. DIMENSIONS IN [] ARE IN INCHES AND FOR CUSTOMER REFERENCE ONLY.

UNLESS OTHERWISE SPECIFIED TOLERANCES FOR MILLIMETERS ARE:
0.5 - 8mm ± 0.20mm
8 - 30mm ± 0.40mm
30 - 120mm ± 0.50mm

UNLESS OTHERWISE SPECIFIED TOLERANCES FOR INCHES ARE:
.020 - .315 = ± 0.007"
.315 - 1.180 = ± 0.015"
1.180 - 4.724 = ± 0.020"

DO NOT SCALE DRAWING

APPROVALS		DATE
DRAWN	M.ZHANG	08/04/10
CHECKED		
ISSUED		
SHEET	1 OF 1	
CAD FILE	C:/CONNEX/122390.DWG	

Amphenol Connex			
PART DESCRIPTION TNC CRIMP PLUG - 75 OHM (FOR RG-6/U CABLE)			
PART NO. 122390			
DWG. NO.	122390.DWG	REV.	C
SIZE	A	SCALE	NA