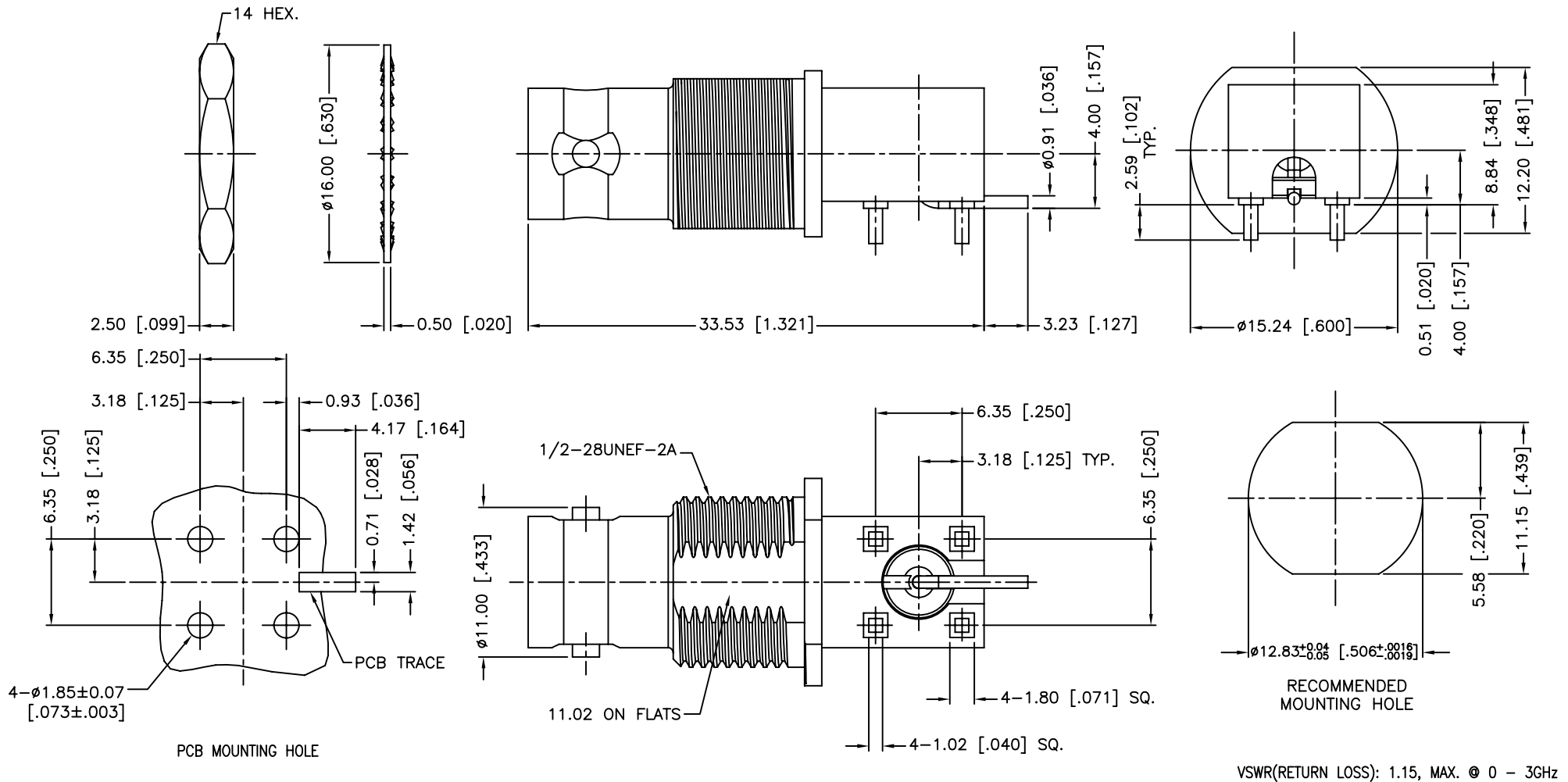


REV.	DATE	ECR NO.	DESCRIPTION
NC	04/08/10	XXXXXX	INITIAL RELEASE
A	04/26/10	2042	SHOW THE SMT PAD ON THE PAD PCB LAYOUT



QTY	DESCRIPTION	MATERIAL	FINISH
1	HEX NUT	BRASS	NICKEL
1	LOCK WASHER	PHOSPHOR BRONZE	NICKEL
1	BARREL	BRASS	NICKEL
1	CONTACT-REAR	BRASS	GOLD
1	INSULATOR	PTFE	NATURAL
1	CONTACT PIN	BER. COPPER	GOLD
1	LOCK RING	BRASS	NICKEL
1	MAIN BODY	BRASS	NICKEL

UNLESS OTHERWISE SPECIFIED DIMENSIONS ARE IN MILLIMETERS. DIMENSIONS IN ( ) ARE IN INCHES AND FOR CUSTOMER REFERENCE ONLY.

UNLESS OTHERWISE SPECIFIED TOLERANCES FOR MILLIMETERS ARE:  
0.5 - 8mm ± 0.20mm  
8 - 30mm ± 0.40mm  
30 - 120mm ± 0.50mm

UNLESS OTHERWISE SPECIFIED TOLERANCES FOR INCHES ARE:  
.020 - .315 = ± 0.007"  
.315 - 1.180 = ± 0.015"  
1.180 - 4.724 = ± 0.020"

DO NOT SCALE DRAWING

APPROVALS	DATE
DRAWN M.ZHANG	04/26/10
CHECKED	
ISSUED	
SHEET 1 OF 1	
CAD FILE C:/CONNEX/112659-75-12.DWG	

**Amphenol Connex**

PART DESCRIPTION  
**BNC R/A P.C. JACK  
WITH A BENT SMT CONTACT  
WITH HEX NUT**

PART NO.  
**112659-75-12**

DWG. NO. 112659-75-12.DWG	REV. A	SIZE A	SCALE NA
---------------------------	--------	--------	----------