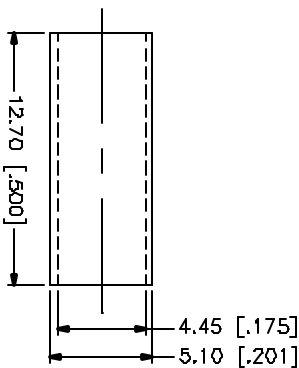
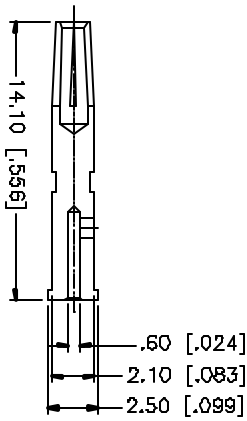
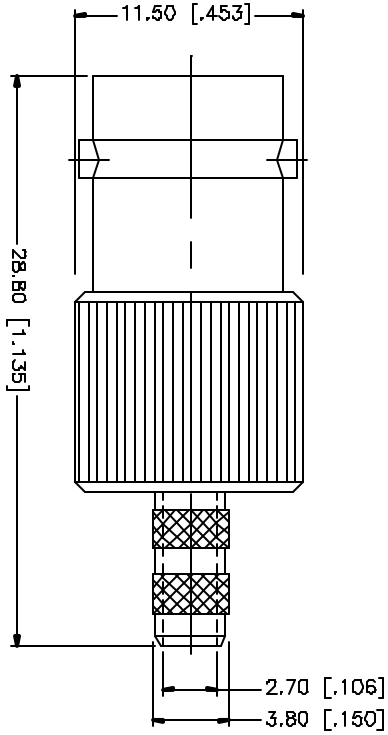
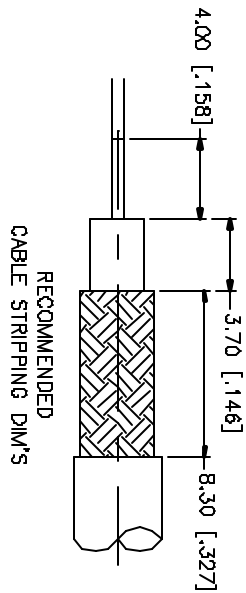


REV.	DATE	DESCRIPTION
A	11/21/03	UPDATE DRAWING FORMAT
B	04/14/04	MODIFY CABLE DESCRIPTION



NOTE:

1. CRIMPED FERRULE
HEX CRIMP SIZE .178"
2. CRIMPED CONTACT PIN
HEX CRIMP SIZE .068"

REV.	DATE	DESCRIPTION
8		
7		
6		
5		
4		
3		
2		
1		

DESCRIPTION	MATERIAL	FINISH	QTY
FERRULE	COPPER	NICKEL	1
CONTACT PIN	PHOS. BRONZE	GOLD	1
INSULATOR	DELFIN	NATURAL	1
BODY	BRASS	NICKEL	1

JAMES DREYER SPECIFIC DIMENSIONS ARE IN MILLIMETERS UNLESS NOTED OTHERWISE IN [] AND IN INCHES UNLESS NOTED OTHERWISE IN []
 JAMES DREYER SPECIFIC DIMENSIONS FOR CONTACT RESTRICTIONS ONLY:
 JAMES DREYER SPECIFIC DIMENSIONS FOR CONTACT RESTRICTIONS ONLY:
 JAMES DREYER SPECIFIC DIMENSIONS FOR CONTACT RESTRICTIONS ONLY:
 .45 - .8mm ± 0.20mm
 .8 - .30mm ± 0.40mm
 .30 - .120mm ± 0.30mm
 JAMES DREYER SPECIFIC DIMENSIONS FOR CONTACT RESTRICTIONS ONLY:
 .420 - .315 ± ± 0.001"
 .375 - .1180 ± ± 0.015"
 1.180 - 4.724 ± ± 0.020"

DO NOT SCALE DRAWING

APPROVALS	DATE
DRAWN G.R.S.	04/14/04
CHECKED	
RELEASED	
SHEET 1 OF 1	

CAD FILE C:/112/112559.DWG

DWG. NO.	REV.	SIZE	SCALE
112559.DWG	B	A	NA

Amphenol Connex
 PART DESCRIPTION
BNC CRIMP JACK (FOR BELDEN 8218 CABLE - 75 ohms)
 PART NO. 112559