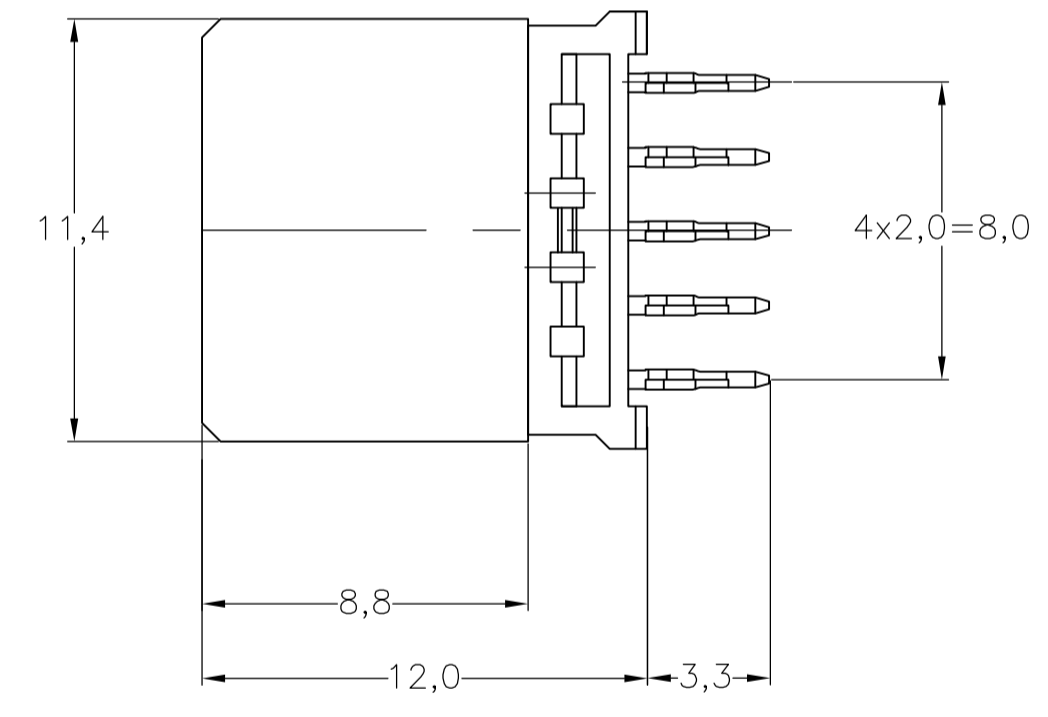
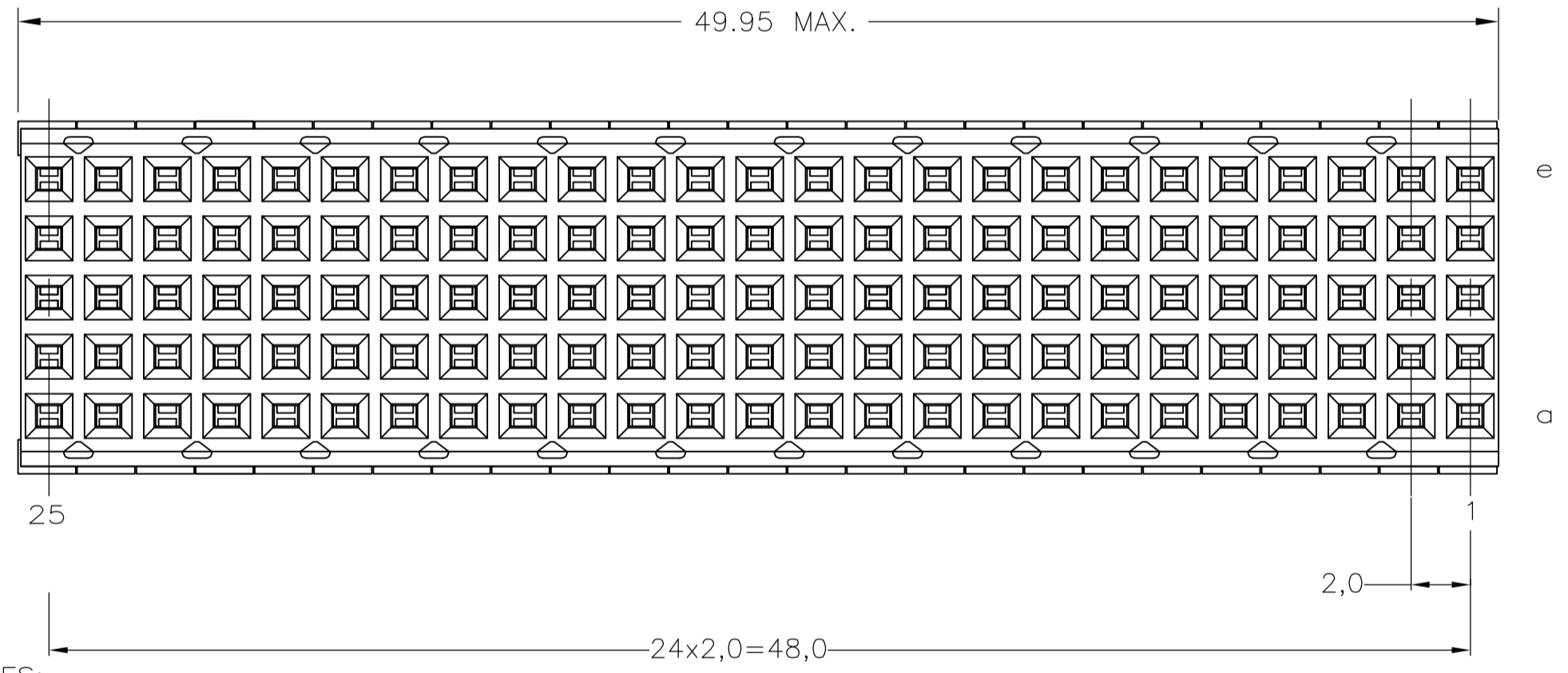
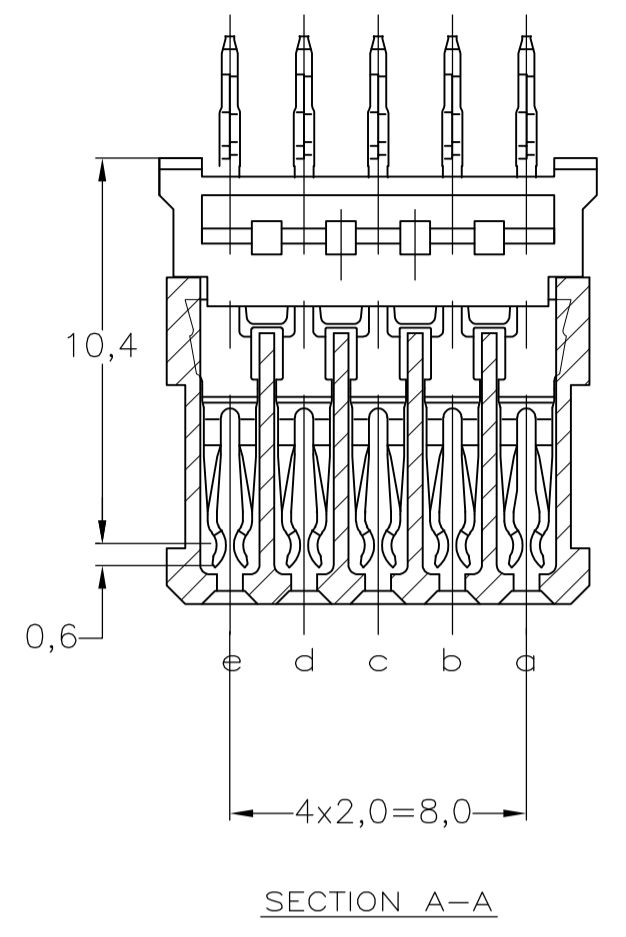
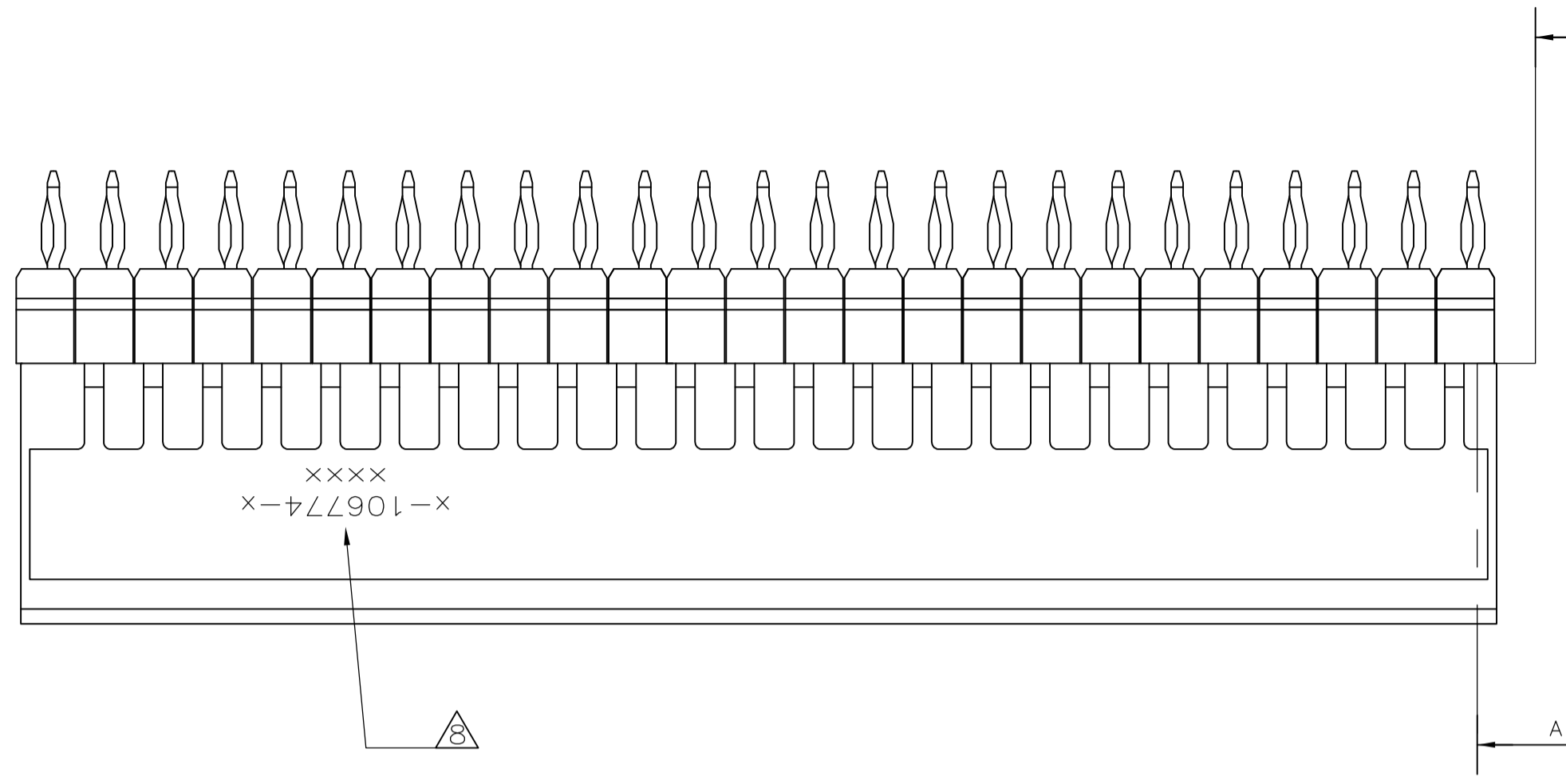
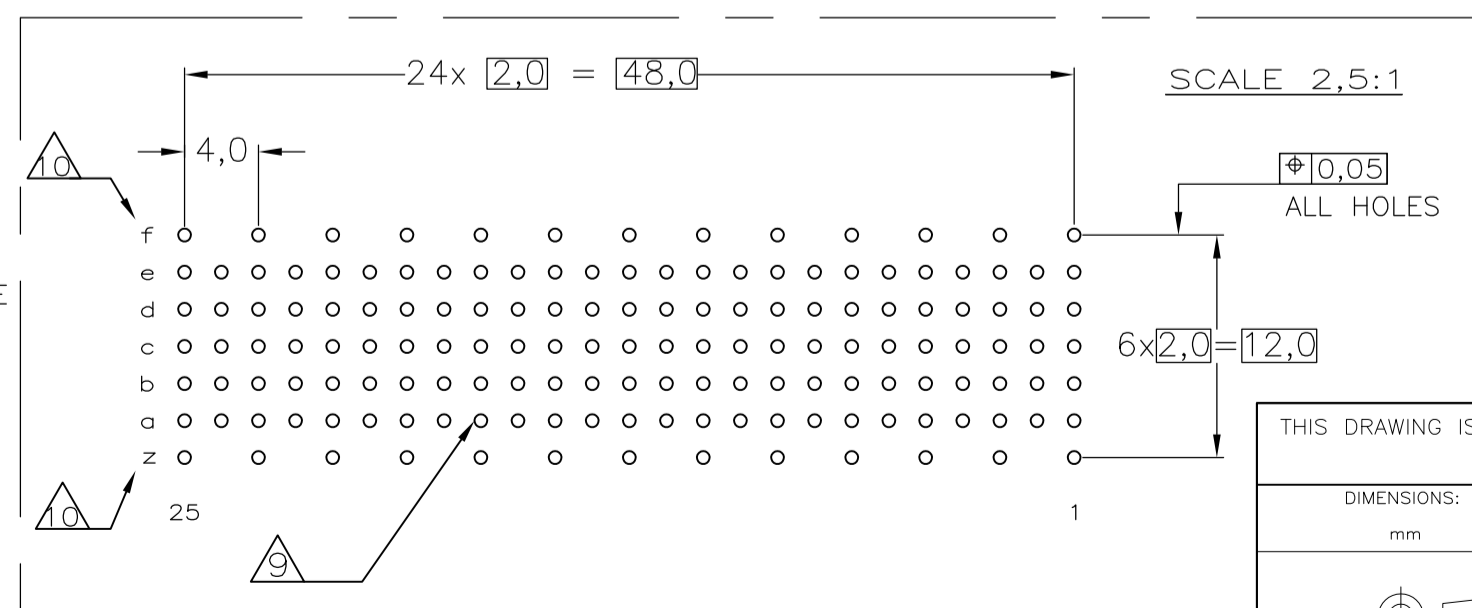


THIS DRAWING IS UNPUBLISHED. RELEASED FOR PUBLICATION
 © COPYRIGHT - By - ALL RIGHTS RESERVED.

LOC		DIST		REVISIONS			
P	LTR	DESCRIPTION	DATE	DWN	APVD		
N		REVISED PER ECO-11-008643	26APR11	RC	CW		
P		ECO-11-024491	13DEC11	SY	MQW		



- NOTES:**
- 1 MATERIAL CONTACT: PHOSPHORBRONZE
MATERIAL HOUSING: GLASSFILLED POLYESTER
UL-RATING 94V0 (GRAY).
 - 2 GENERAL PLATING SPECIFICATION: UNDERPLATING (ENTIRE CONTACT): 1,27µm NICKEL MIN. AND ACTION PIN: 0,5µm TIN-LEAD MIN.
FOR PLATING OF MATING SURFACES SEE APPLICABLE SPECIFICATION REFERENCE FOR EACH DASH NUMBER.
 - 3 CONFORMS TO ALL TESTING ACCORDING IEC 61076-4-101 PERFORMANCE LEVEL 2.
 - 4 CONFORMS TO ALL TESTING ACCORDING IEC 61076-4-101 PERFORMANCE LEVEL 1.
 - 5 CONNECTOR TESTED AND QUALIFIED AGAINST TELCORDIA GR-1217-CORE QUALITY LEVEL III, CENTRAL OFFICE APPLICATIONS.
 - 6 CONNECTOR TESTED AND QUALIFIED AGAINST TELCORDIA GR-1217-CORE QUALITY LEVEL III, UNCONTROLLED ENVIRONMENT APPLICATIONS.
 - 7 CONNECTOR LUBRICATED WITH TELCORDIA APPROVED LUBRICANT.
 - 8 CONNECTOR PRINTED WITH PARTNUMBER AND DATECODE.
 - 9 PLATED-THROUGH HOLES AT 2x2mm SQUARE GRID (125 HOLES).
 - 10 HOLES IN ROW f AND z FOR POSSIBLE FUTURE USE OF GROUND RETURN SHIELD. (SHIELDS NOT YET TOOLED)
 - 11 0.76µm MIN GOLD PLATING AT MATING SURFACES.



THIS DRAWING IS A CONTROLLED DOCUMENT.

DIMENSIONS: mm	TOLERANCES UNLESS OTHERWISE SPECIFIED:	DWN	-
	0-PLC ±	CHK	-
	1-PLC ±	APVD	-
	2-PLC ± ±0.2	PRODUCT SPEC	108-19082
	3-PLC ±	APPLICATION SPEC	114-19029
	4-PLC ±	WEIGHT	-
MATERIAL	FINISH	CUSTOMER DRAWING	SCALE NTS SHEET 1 OF 1 REV P

FINISH	MATERIAL	PARTNUMBER
2 3 1 1	1	3-106774-0
2 6 7	1	1-106774-9
2 5 7	1	106774-9
2 4	1	106774-4
2 3	1	106774-1

TE Connectivity
 Z-PACK 2MM HM TYPE B
 125 POS. VERTICAL FEMALE
 CONNECTOR ASSEMBLY