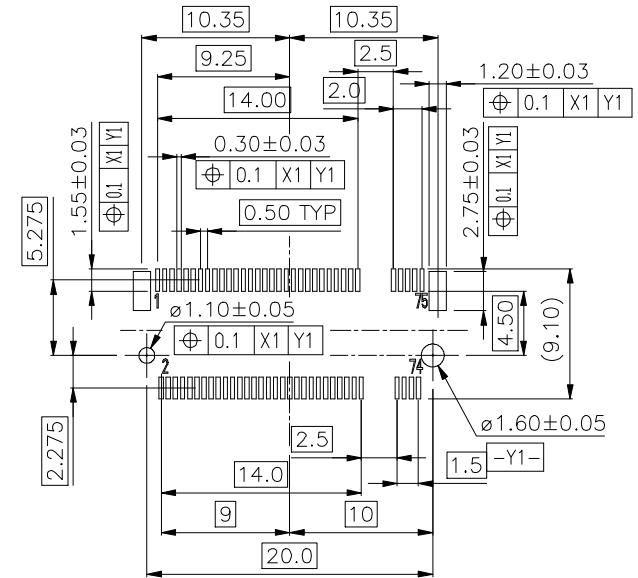
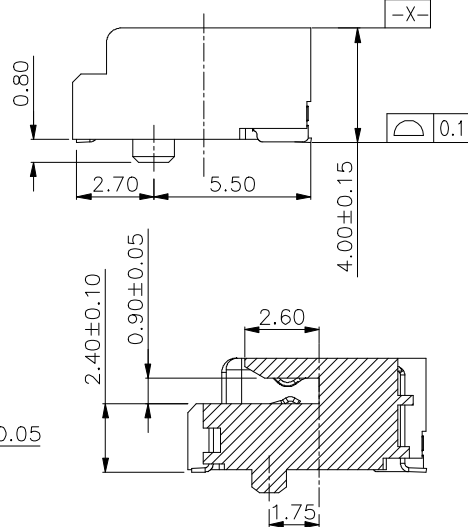
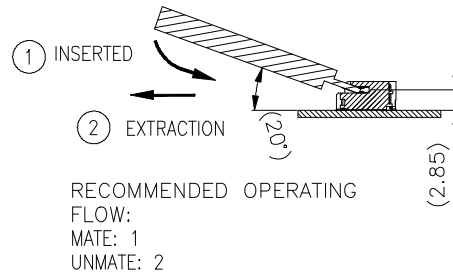
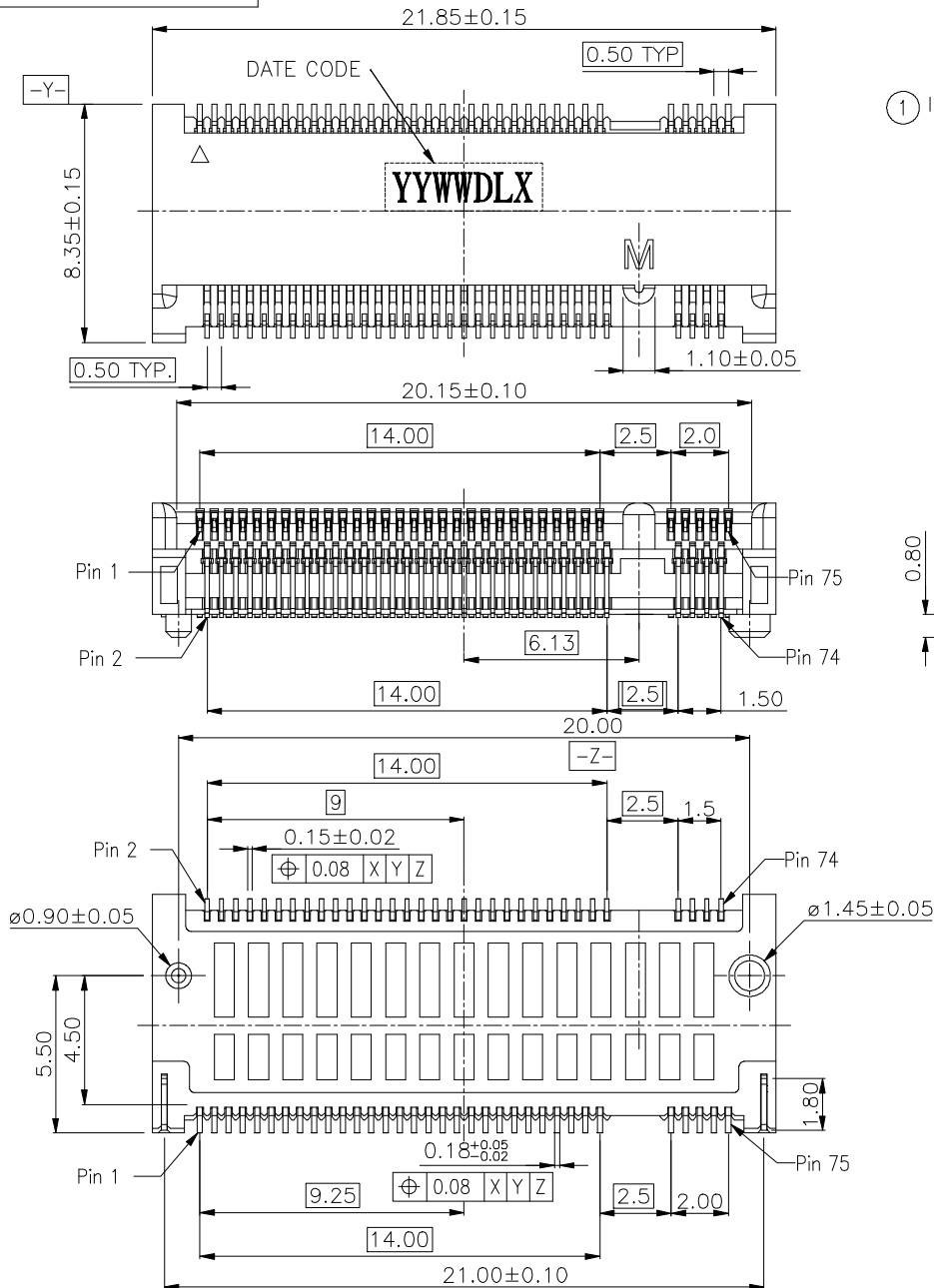




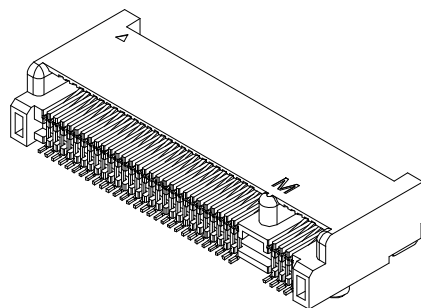
PRODUCT NUMBER
10130616-067RXLF



DATUM X1 IS THE TOP OF SURFACE OF PCB.
RECOMMENDED P.C.B LAYOUT

mat'l. code		surface		tolerance	projection	product family	
ltr		ecn no		dr		date	
A		TAI		2014-08-08		tolerances unless otherwise specified	
		angles		.X	±0.3	title	
		in		.XX	±0.15	M.2 CONN P=0.5mm	
		X*2°		.XXX	±0.100	H 4.0MM, KEY M	
		dr		KENNY TAI	2014-06-18	scale	
		enr		KENNY TAI	2014-06-18	dwg no	
		chr		KENNY TAI	2014-06-18	sheet 1 of 2	
		appd		PM ZHENG	2014-08-08	size	
sheet index		revision sheet		A	A	A4	
		1		2		CUSTOMER Drawing	
						type	

PRODUCT NUMBER
10130616-067RXLF



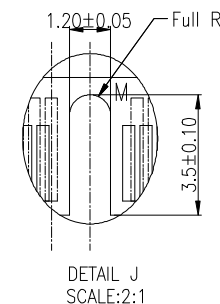
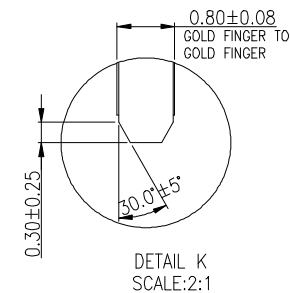
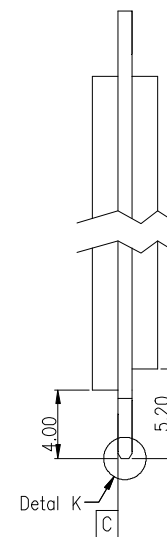
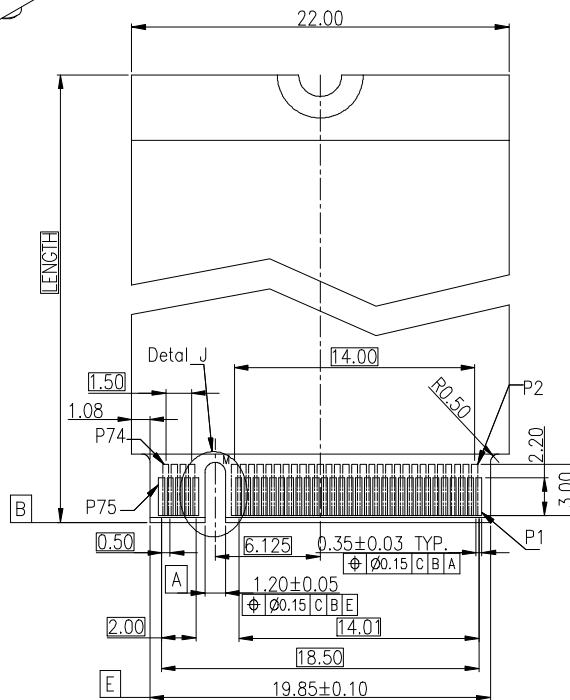
NOTES:

1. MATERIAL:
 - 1.1 HOUSING: THERMOPLASTIC, HIGH TEMP., UL94V-0; COLOR: NATURAL.
 - 1.2 CONTACT: COPPER ALLOY.
 - 1.3 FITTING NAIL: COPPER ALLOY.
2. FINISH:
 - 2.1 CONTACT:
 - CONTACT: SEE NOTE 7, PART NUMBER SCHEME.
 - SOLDER TAIL: GOLD FLASH PLATING.
 - 50-100u" NICKEL UNDERPLATED OVERALL.
 - 2.2 FITTING NAIL:
 - 100-200u" MATTE TIN PLAIN ON SOLDER.
 - 50-100u" NICKEL UNDERPLATED OVERALL.
3. DATE CODE: YYWWDLX
 - YY: YEAR (14: 2014)
 - WW: WEEK (25: 25TH WEEK)
 - D: DAY (1~7: SUNDAY~SATURDAY)
 - L: LINE NUMBER OF ASSEMBLY (A: LINE A)
 - X: D OR N (D: DAY, N: NIGHT)
4. THE HOUSING WILL WITHSTAND EXPOSURE TO 260°C PEAK TEMPERATURE FOR 10 SECONDS IN A CONVECTION, INFRA-RED OR VAPOR PHASE REFLOW OVEN.
5. PRODUCT SPECIFICATION: GS-12-1248.
6. PACKAGE SPECIFICATION: GS-14-2404.
7. PART NUMBER SCHEME:
10130616- 067 R X LF

67 CONTACTS

PACKAGE:
TAPE & REEL

CONTACT PLATING:
2: GOLD FLASH ON CONTACT
C: 15u" GOLD ON CONTACT
D: 30u" GOLD ON CONTACT



RECOMMENDED MODULE CARD LAYOUT
TOLERANCE ±0.05 (TOP VIEW)

mat'l. code		surface	tolerance	projection	product family	
ltr	ecn no	dr	date	<input checked="" type="checkbox"/> .X ±0.3 <input type="checkbox"/> .XX ±0.15 <input type="checkbox"/> .XXX ±0.100	 mm scale	title
tolerances unless otherwise specified angles X*±2°						M.2 CONN P=0.5mm H 4.0MM, KEY M
dr	KENNY TAI	2014-06-18		dwg no sheet 2 of 2 size A4		10130616
enr	KENNY TAI	2014-06-18		type CUSTOMER Drawing		
chr	KENNY TAI	2014-06-18				
appd	PM ZHENG	2014-08-08				
sheet index	revision sheet	A 1	A 2			