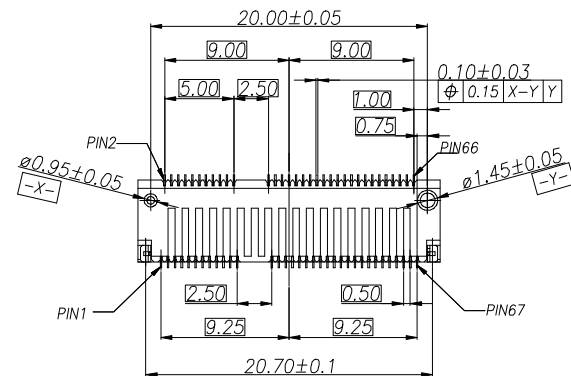
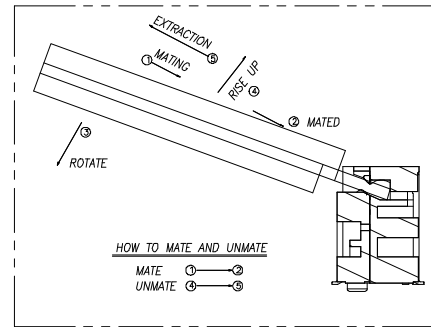
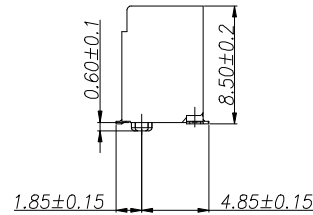
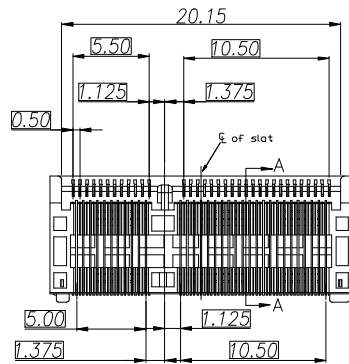
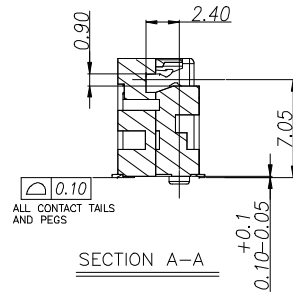
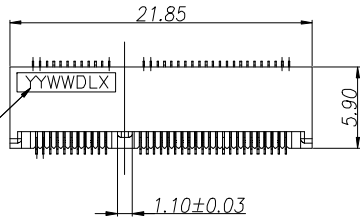


HF
Halogen Free

RoHS

DATE CODE
SEE NOTES 4



30u" Au	10128797-005RLF
15u" Au	10128797-004RLF
GOLD FLASH	10128797-001RLF
CONTACT AREA	FCI P/N

NOTES:

- MATERIAL:
 - HOUSING: HIGH TEMPERATURE THERMOPLASTIC, UL94V-0, COLOR: BLACK
 - CONTACTS: COPPER ALLOY;
 - PEG: STAINLESS STEEL.
- REFLOW SOLDER CAPABLE TO 260°C.
- FINISH:

CONTACT:

 - 50u" MIN NICKEL UNDERPLATING OVERALL.
 - CONTACT AREA: GOLD PLATED (SEE TABLE)
 - SOLDER AREA: GOLD FLASH 1u" MIN.

PEG:

 - 50u" MIN. NICKEL UNDERPLATING OVERALL.
 - 80u" MIN. MATTE-TIN PLATED ON SURFACE.
- DATE CODE : YYWWDLX
 - YY: YEAR (09: 2009)
 - WW: WEEK (25: THE 25TH WEEK)
 - D: DAY (1~7: SUNDAY~SATURDAY)
 - L: LINE NUMBER OF ASSEMBLY (A: LINE A)
 - X: D OR N (D: DAY; N: NIGHT)
- PRODUCT SPECIFICATION SEE FCI GS-12-1195
- PART NO:
10128797-00XRLF

LF: LEAD FREE & RoHS COMPLIANCE

PACKAGE CODE:
R: TAPE & REEL PACKING

PLATING CODE:
1: 1u"Min GOLD FLASH ON CONTACT AREA
4: 15u"Min GOLD ON CONTACT AREA
5: 30u"Min GOLD ON CONTACT AREA

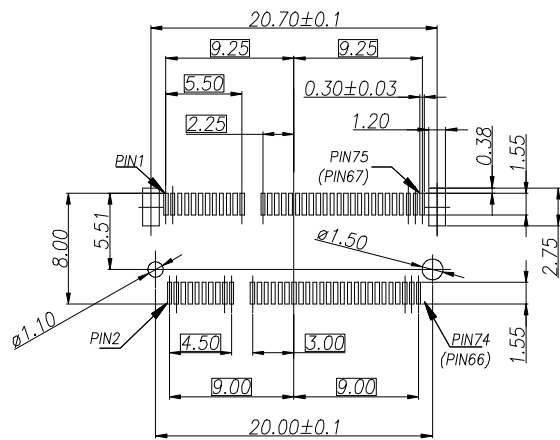
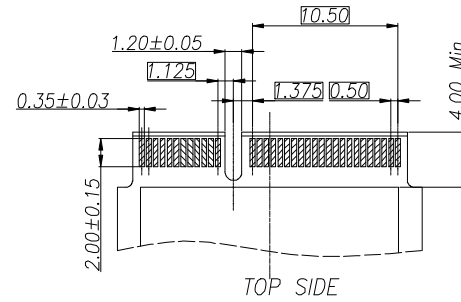
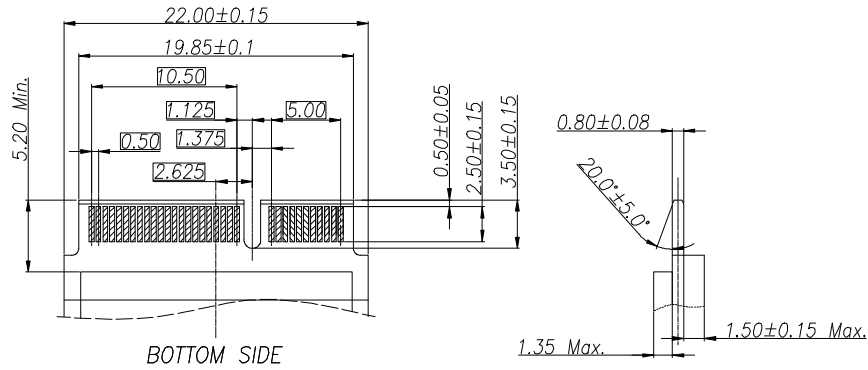
mat'l. code		surface	tolerance	projection	product family
ltr ecn no dr date		tolerances unless otherwise specified			title
A		BF	2013-04-18	.X ±0.3	M.2 CONNECTOR 8.5H_STD_KEY E
B	ELX-T-19318	TAI	2014-11-10	.XX ±0.25	
		angles			scale
		X°±2°		.XXX ±0.05	
		dr	BEER FU	2013-05-02	dwg no
		enr	BEER FU	2013-05-02	
		chr	BEER FU	2013-05-02	sheet 1 of 3
		appd	BEER FU	2013-05-02	
sheet index		revision	B B B		size
		sheet	1 2 3		A4
					type
					Customer Drawing



HF
Halogen Free

~~Pb~~

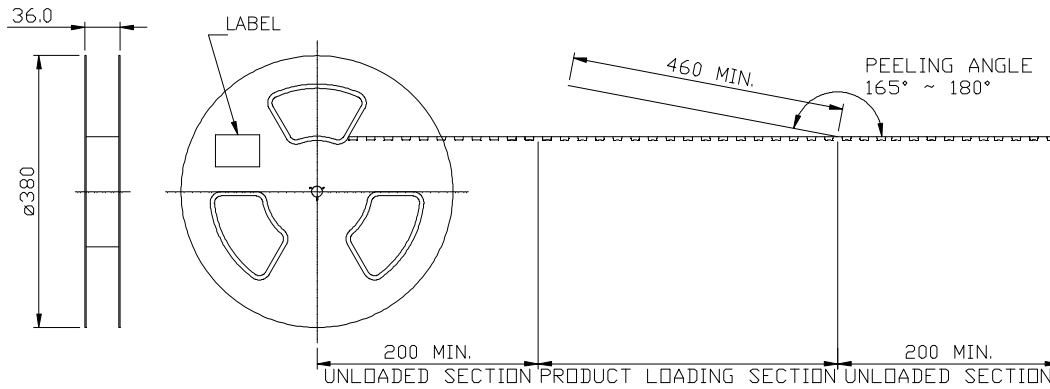
PLUG PCB



RECOMMENDED PCB LAYOUT
THICKNESS: 1.20 ± 0.05 mm

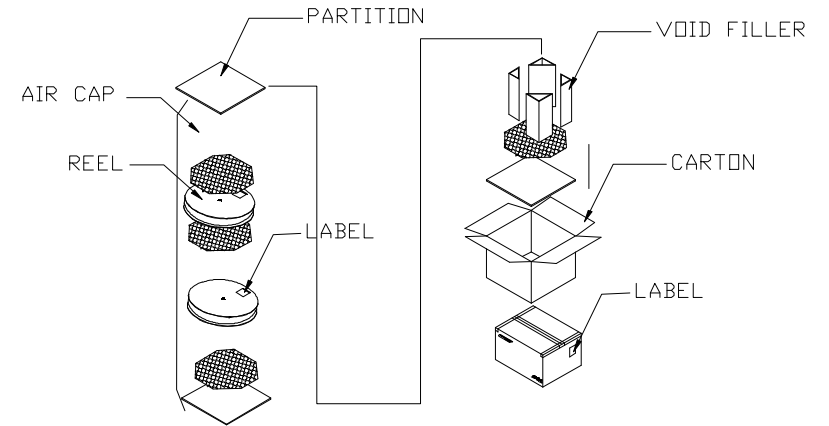
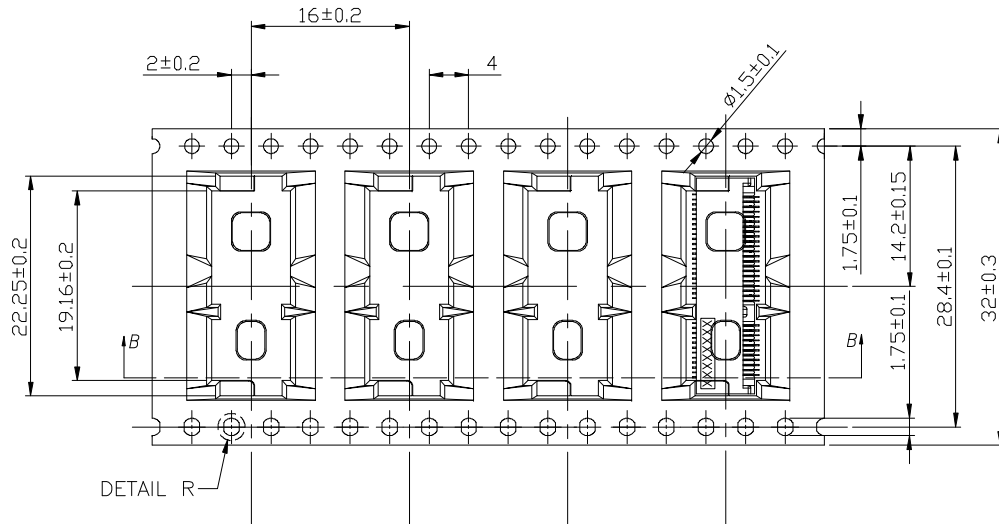
	dwg no	sheet 2 of 3	size
	10128797		A4
	type Customer Drawing		

sheet index	revision sheet	B	B	B											
	1	2	3												

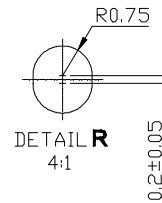
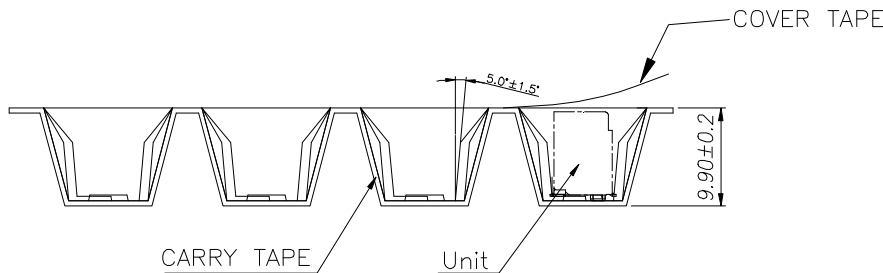


NOTES :

- MATERIAL :
COVER TAPE : ANTISTATIC P.S T=0.05±0.01 ,COLOR:CLEAR
CARRIER TAPE : ANTISTATIC P.S T=0.40±0.10,COLOR:BLACK
REEL : PS UL94V-0
CARTON: CORRUGATED FIBER
- DIMENSION :
REEL : SEE DRAWING
SHIPPING BOX: 385X385X225mm
- QUANTITY : SEE TABLE
- PEELING RESISTANCE : 10gf~130gf (for 12~56mm)
- PEELING SPEED : 300mm/MINUTES



DETAIL R



5.35KG	3.525KG	500	5	2500
GROSS WEIGHT	NET WEIGHT	PCS/ REEL	REEL/ CARTON	PCS/ CARTON



dwg no	sheet 3 of 3	size
10128797		A4
type	Customer Drawing	

sheet index	revision sheet	B 1	B 2	B 3															
-------------	----------------	-----	-----	-----	--	--	--	--	--	--	--	--	--	--	--	--	--	--	--