

PRODUCT NUMBER

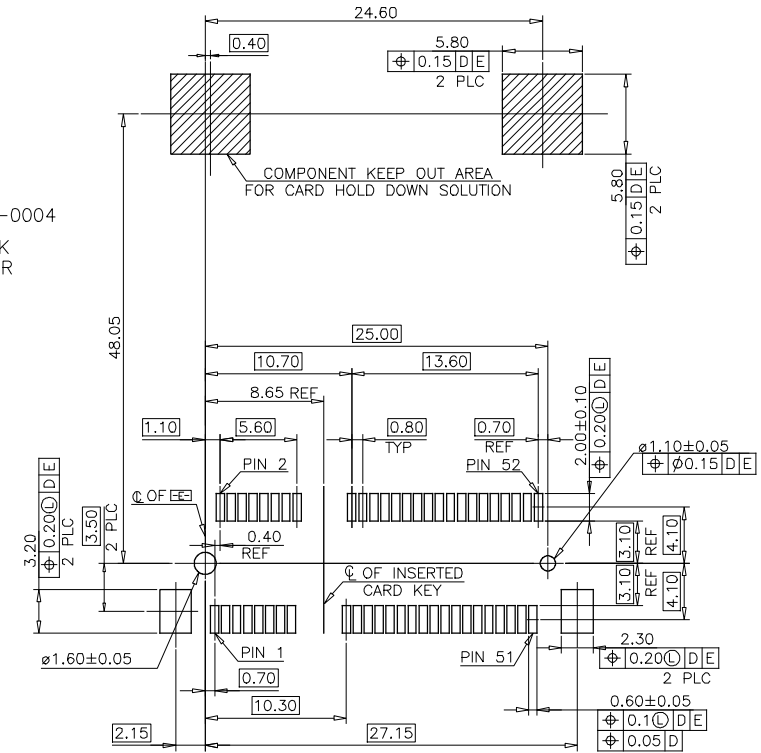
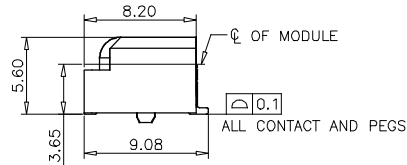
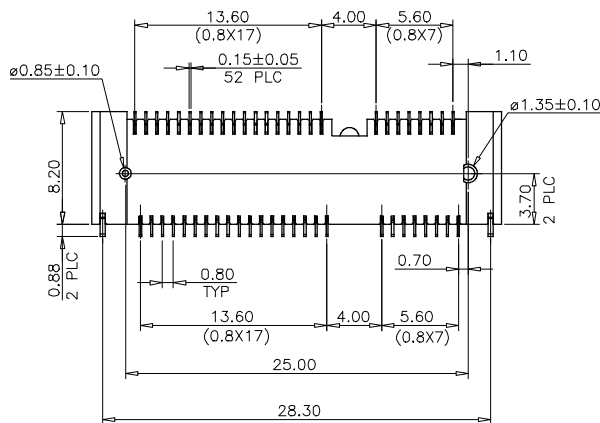
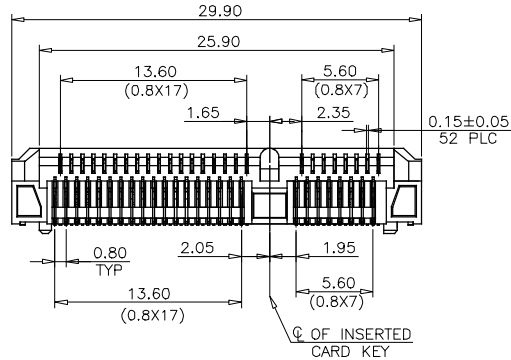
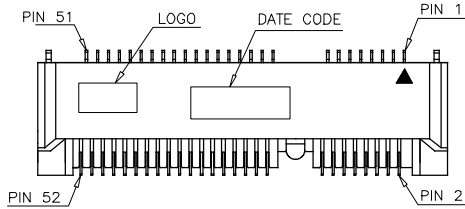
10123908-XXXLF

MATERIAL  
HOUSING : THERMO PLASTIC UL94V-0 BLACK  
CONTACT : COPPER ALLOY  
PEG : COPPER ALLOY

PART NO. SCHEMATIC: 10123908 - XX X LF

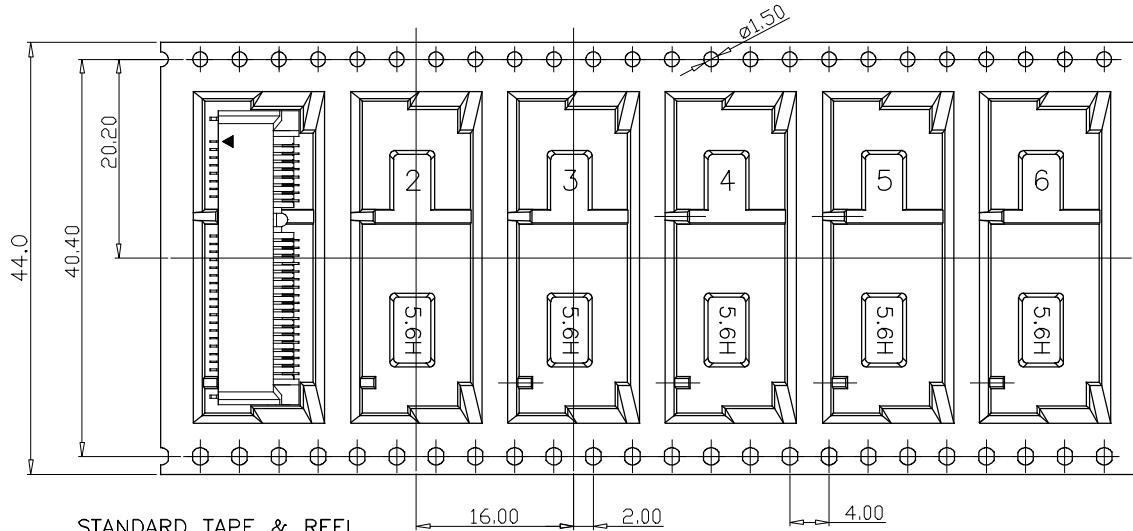
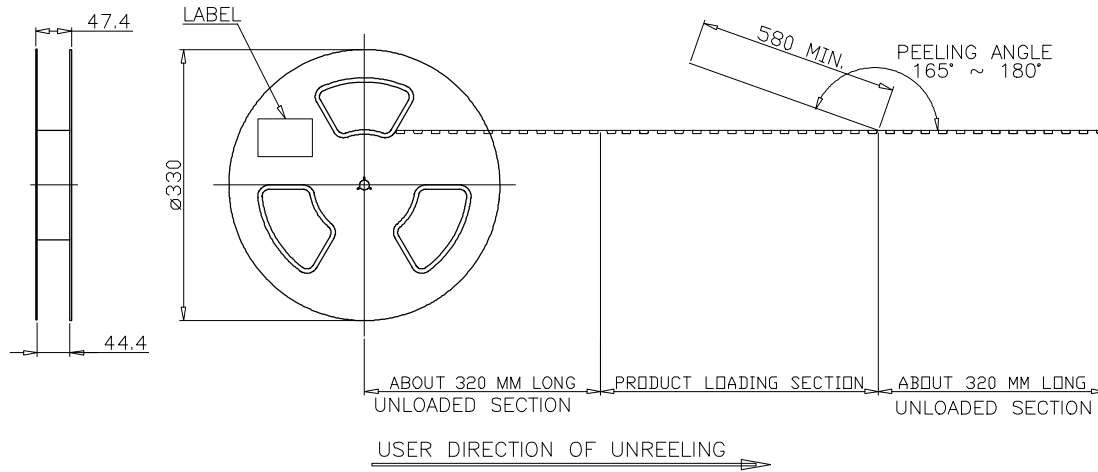
TERMINAL PLATING \_\_\_\_\_ PACKING \_\_\_\_\_  
00: NO PLATING 0: TAPE&REEL.STD  
G2: GOLD FLASH 1~3 $\mu$ m OVER Ni 50~100 $\mu$ m 1: TAPE&REEL.RVS  
A2: CONTACT AREA AND SOLDER AREA :  
SELECTION GOLD 1 $\mu$ m OVER Ni 50~100 $\mu$ m  
A7: CONTACT AND SOLDER TAIL AREA GOLD PLATING  
10 $\mu$ m MIN OVER Ni 50~100 $\mu$ m

PRODUCT SPEC.: GS-12-1111  
PACKAGE SPEC.: GS-14-2284  
THIS PRODUCT MEETS EUROPEAN UNION DIRECTIVES AND OTHER COUNTRY REGULATIONS AS DESCRIBED IN GS-47-0004  
THE HOUSING WILL WITHSTAND EXPOSURE TO 260°C PEAK TEMPERATURE FOR 10 SECONDS IN A CONVECTION, IR OR VAPER PHASE REFLOW OVEN.

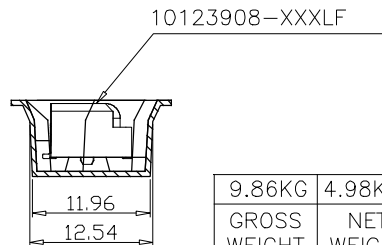


-D- IS THE TOP SURFACE OF PCB.  
RECOMMENDED P.C.BOARD PATTERN LAYOUT

mat'l. code		surface		tolerance <input checked="" type="checkbox"/> ASME Y14.5		projection		product family	
ltr	ecn no	dr	date	tolerances unless otherwise specified		MM		title	
A		TAI	2013-01-03	angles	X.X ± 0.30			0.80MM PITCH MINI PCI EXPRESS HIGH=5.6mm 52 PIN CONNECTOR	
				0.1	X.XX ± 0.20				
				X*±4'	X.XXX ± 0.15	scale			
				dr	KENNY TAI	2013-01-03			dwg no
				enr	KENNY TAI	2013-01-03			sheet 1 of 3
				chr	KENNY TAI	2013-01-03			size
				appd	PM ZHENG	2013-01-03			A4
sheet index		revision sheet	A	A	A				10123908
			1	2	3				CUSTOMER Drawing
									type



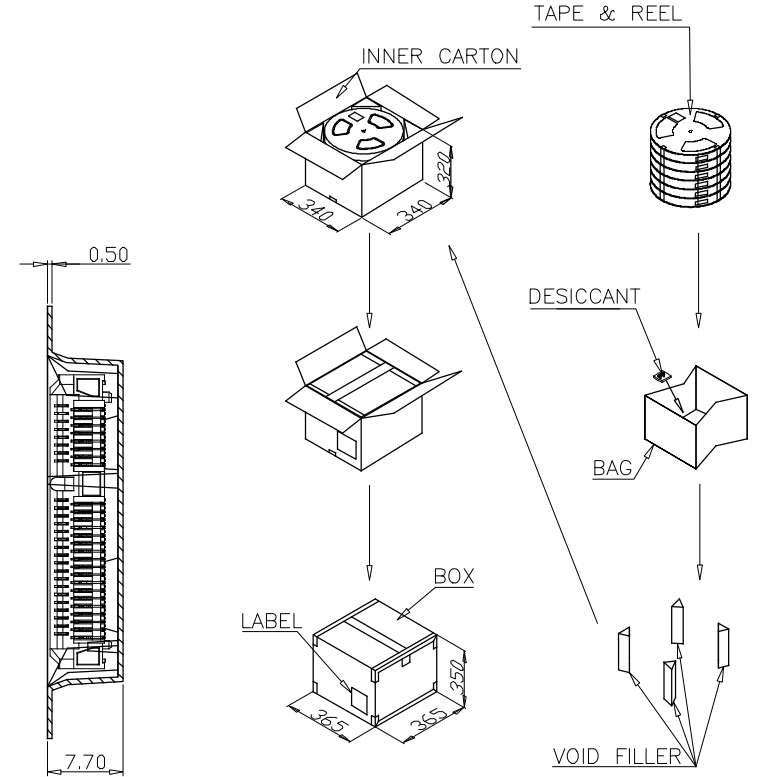
STANDARD TAPE & REEL  
(FOR -XXOLF)



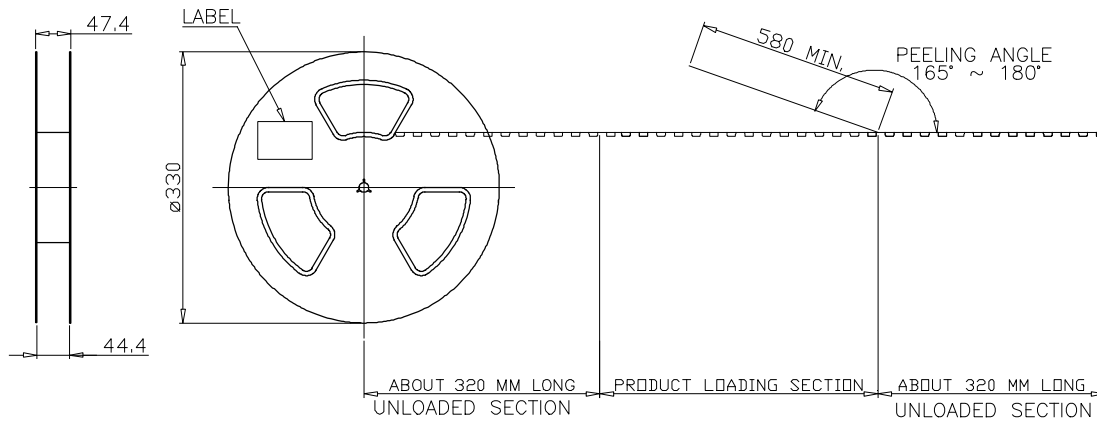
9.86KG	4.98KG	500	6	3000
GROSS WEIGHT	NET WEIGHT	PCS/ REEL	REEL/ BOX	PCS/ BOX

NOTES:

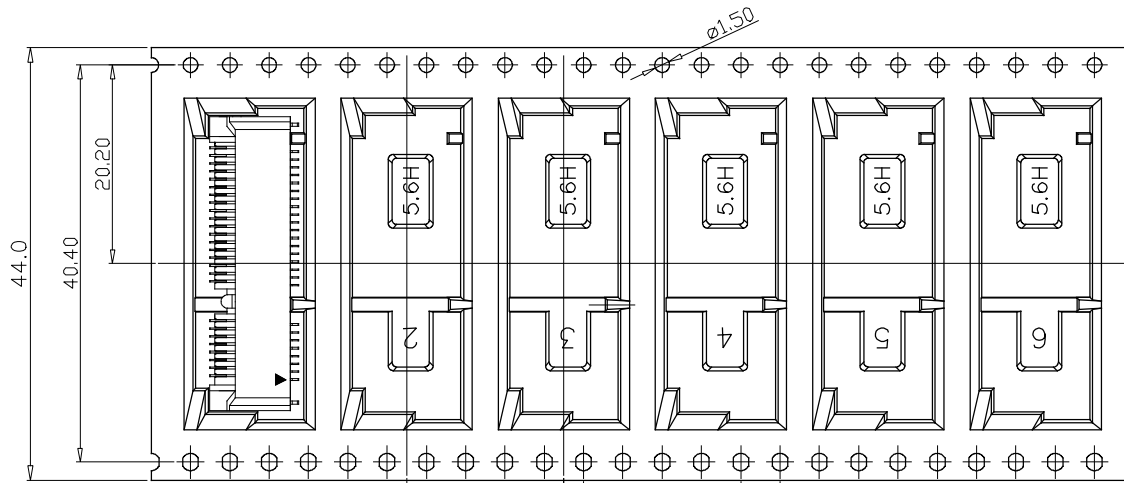
- MATERIAL:  
BOX: FIBREBOARD, CORRUGATED, DOUBLE WALL.  
COVER TAPE: PET, 120C° HEAT-RESISTANT TEMPERATURE, TRANSPARENT COLOR.  
CARRIER TAPE: POLYSTYRENES, 120C° HEAT-RESISTANT TEMPERATURE, TRANSPARENT COLOR.  
REEL: HIPS, 70C° HEAT-RESISTANT TEMPERATURE, BLUE COLOR.  
BAG: POLYETHYLENES, 100C° HEAT-RESISTANT TEMPERATURE, TRANSPARENT COLOR.
- EACH BAG SHALL BE INCLUDED DESICCANT.
- PEELING STRENGTH: 0.1 ~ 1.3 N (10 ~ 130 GRAMS).
- PEELING SPEED: 300 mm/min.



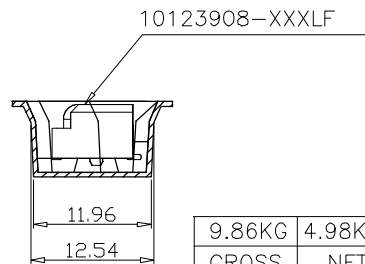
mat'l. code		surface		tolerance ASME Y14.5		projection		product family	
ltr	ecn no	dr	date	tolerances unless otherwise specified		MM		title	
A		TAI	2013-01-03	angles	X.X ± 0.30	MM		0.80MM PITCH MINI PCI EXPRESS HIGH=5.6mm 52 PIN CONNECTOR	
				flatness	X.XX ± 0.20	scale		dwg no	
				X*±4'	X.XXX ± 0.15			sheet 2 of 3 size	
				dr	KENNY TAI	2013-01-03		FCI	
				enr	KENNY TAI	2013-01-03		10123908	
				chr	KENNY TAI	2013-01-03		A4	
				appd	PM ZHENG	2013-01-03		type	
sheet index		revision sheet		A	A	A		CUSTOMER Drawing	
		1	2	3					



USER DIRECTION OF UNREELING →



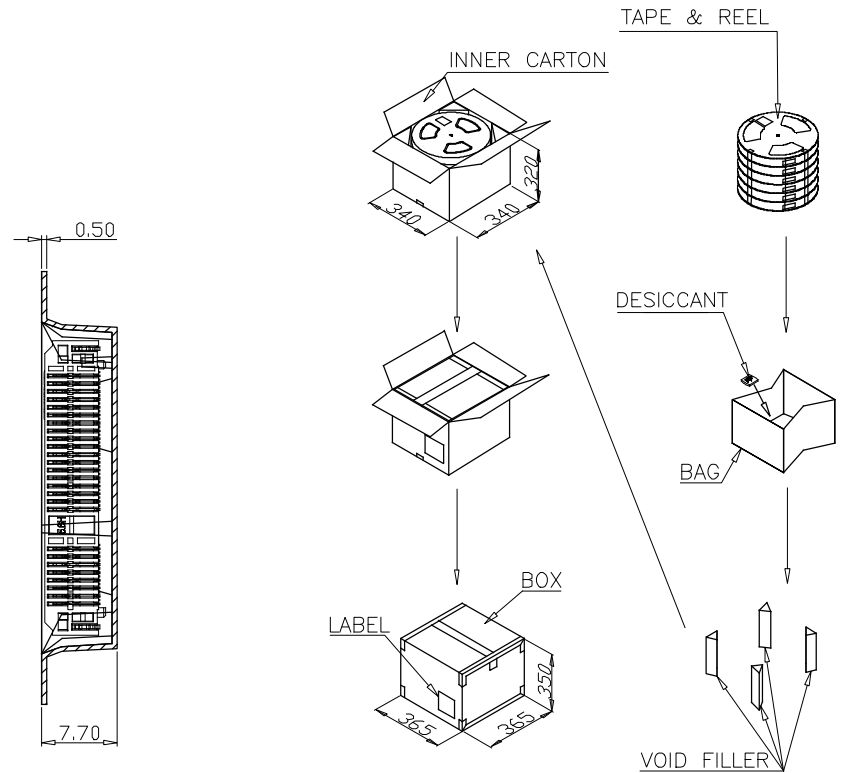
REVERSE TAPE & REEL  
(FOR -XX1LF)



9.86KG	4.98KG	500	6	3000
GROSS WEIGHT	NET WEIGHT	PCS/ REEL	REEL/ BOX	PCS/ BOX

NOTES:

- MATERIAL:  
BOX: FIBREBOARD, CORRUGATED, DOUBLE WALL.  
COVER TAPE: PET, 120°C HEAT-RESISTANT TEMPERATURE, TRANSPARENT COLOR.  
CARRIER TAPE: POLYSTYRENES, 120°C HEAT-RESISTANT TEMPERATURE, TRANSPARENT COLOR.  
REEL: HIPS, 70°C HEAT-RESISTANT TEMPERATURE, BLUE COLOR.  
BAG: POLYETHYLENES, 100°C HEAT-RESISTANT TEMPERATURE, TRANSPARENT COLOR.
- EACH BAG SHALL BE INCLUDED DESICCANT.
- PEELING STRENGTH: 0.1 ~ 1.3 N (10 ~ 130 GRAMS).
- PEELING SPEED: 300 mm/min.



mat'l. code		surface		tolerance ASME Y14.5		projection		product family	
ltr	ecn no	dr	date	tolerances unless otherwise specified		MM		title	
A		TAI	2013-01-03	angles	X.X ± 0.30	← →		0.80MM PITCH MINI PCI EXPRESS HIGH=5.6mm 52 PIN CONNECTOR	
				flat	X.XX ± 0.20	scale		dwg no	
				X*±4'	X.XXX ± 0.15			sheet 3 of 3 size	
				dr	KENNY TAI	2013-01-03		A4	
				enr	KENNY TAI	2013-01-03		10123908	
				chr	KENNY TAI	2013-01-03		type	
				appd	PM ZHENG	2013-01-03		CUSTOMER Drawing	
sheet index	revision sheet	A	A	A					
		1	2	3					