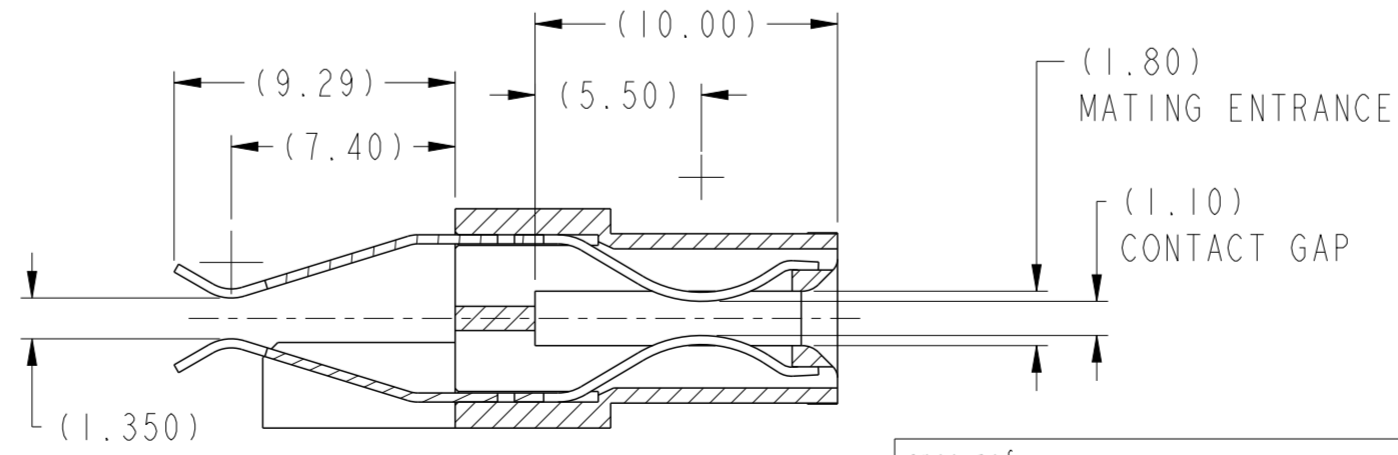
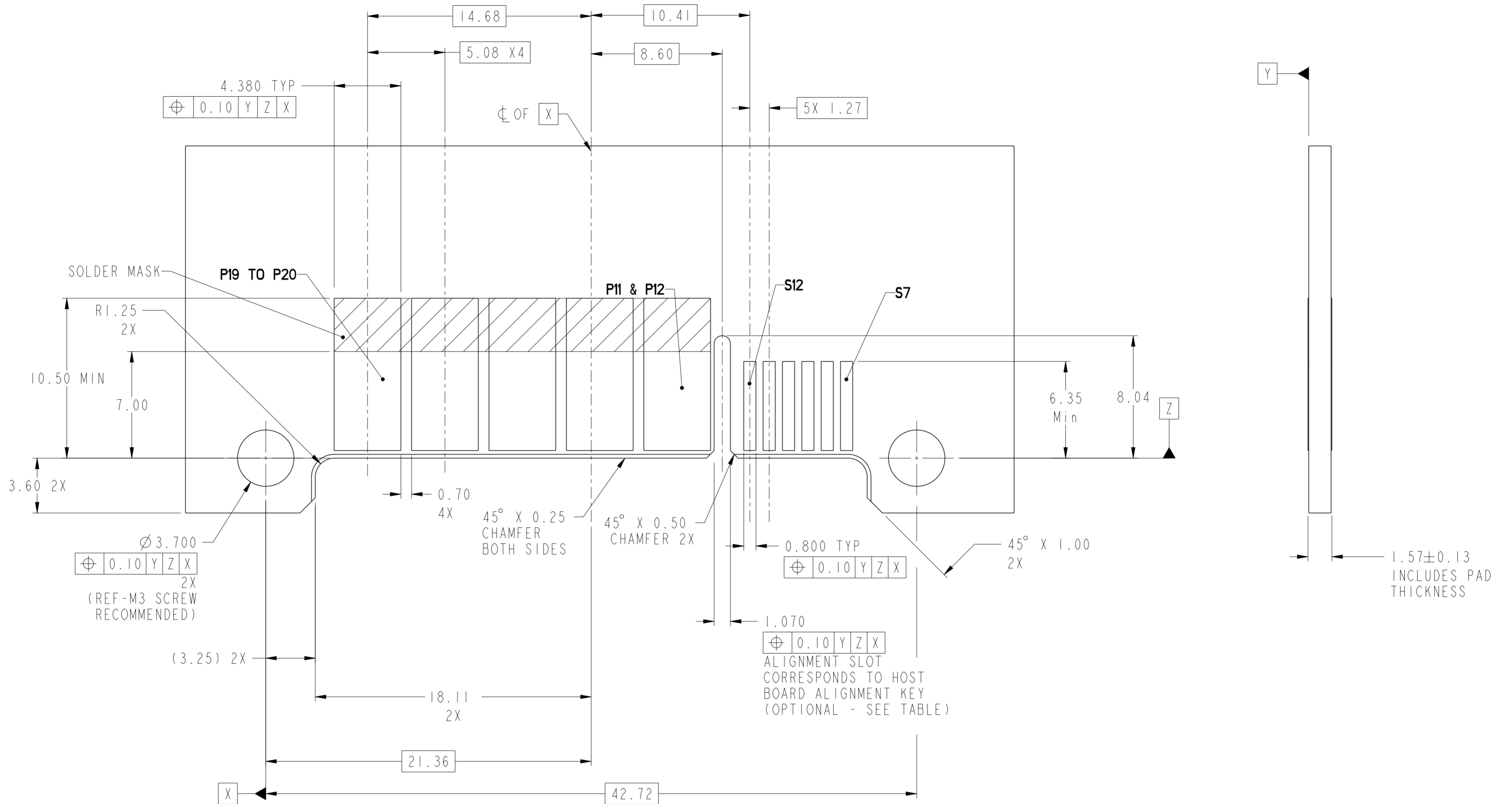


SECTION C-C

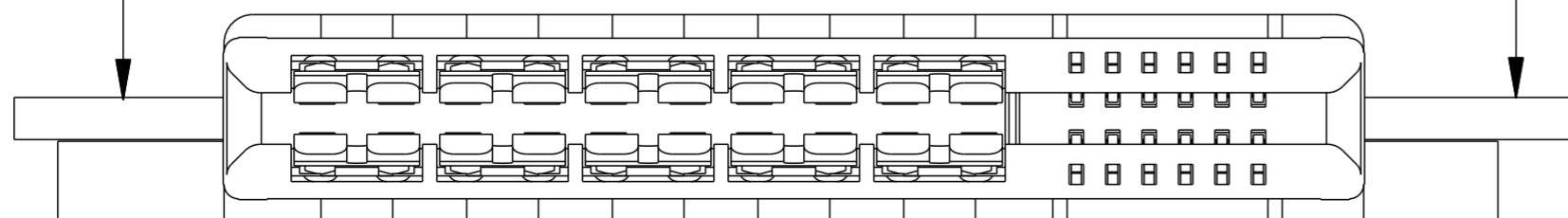


SECTION D-D

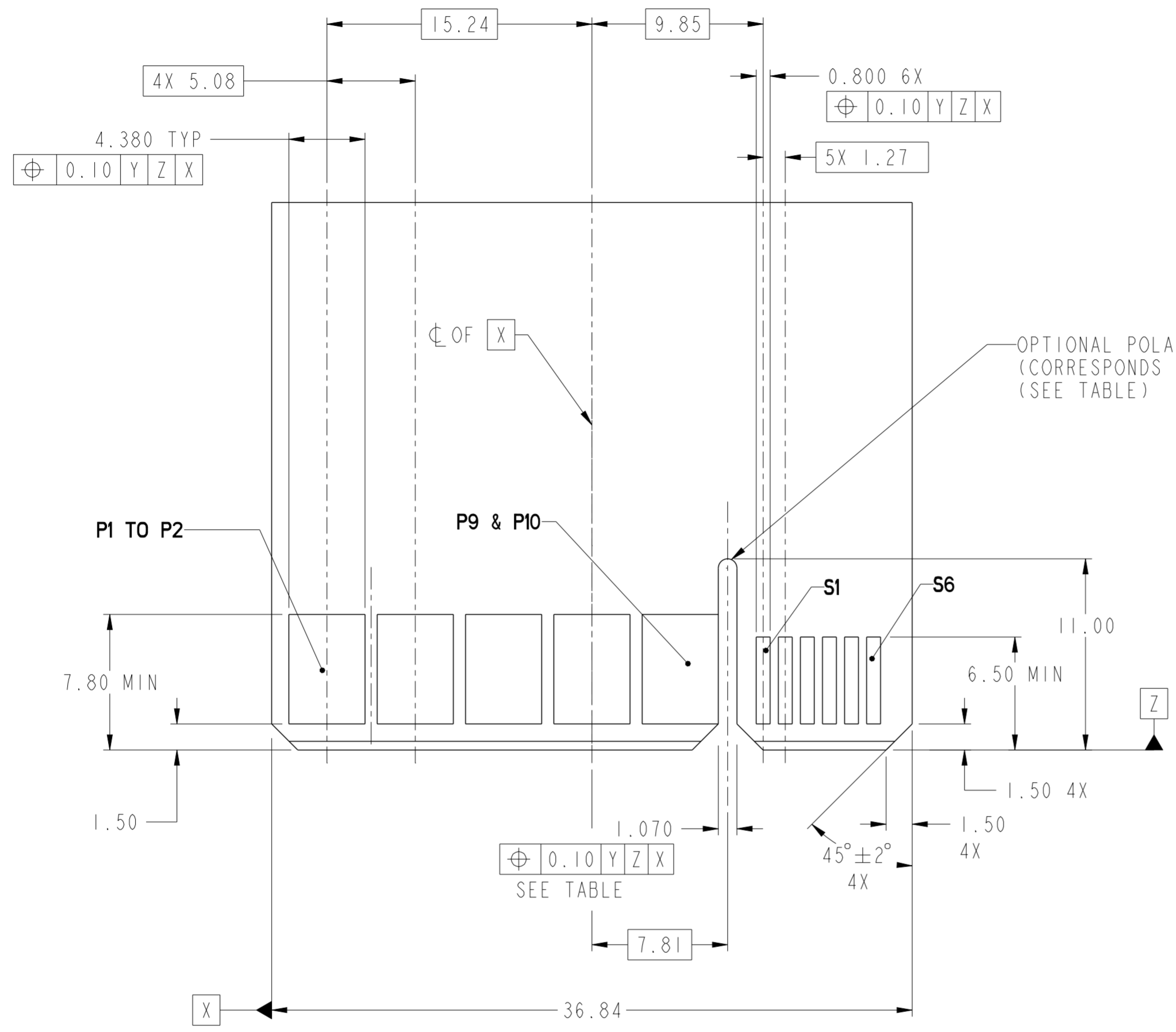
spec ref	-	dr	Wei-Long Zhang	2010/12/20	projection	MM	size	A2	scale	4:1		
tolerance std	-	eng	Sunny2 Liu	2016/05/06			ecn no	ELX-DG-24036-1	rel level	Released		
		chr	Terris Liu	2016/05/20								
		appr	Pai-Ming Zheng	2016/05/24	product family	CARD EDGE	rel level	Released				
surface	linear	0.X	±0.3		HPCE-STRADDLE MT (20P-12S) (RECEPTACLE)	dwg no 10116809	rev D	Product - Customer Drw		sheet 1 of 4		
	angular	0°	±°					cat. no.				



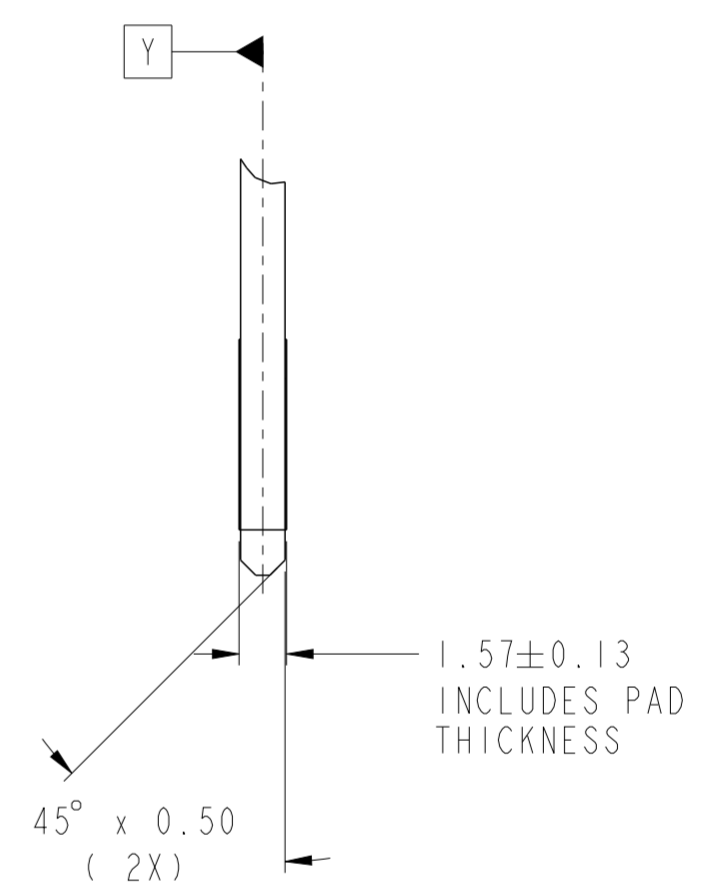
**RECOMMENDED HOST BOARD LAYOUT
AS VIEWED**



spec ref	-	dr	Wei-Long Zhang	2010/12/20	projection	MM	size	A2	scale	2:1
tolerance std	TOLERANCES UNLESS OTHERWISE SPECIFIED	eng	Sunny2 Liu	2016/05/06			ecn no	ELX-DG-24036-1	rel level	Released
		chr	Teris Liu	2016/05/20						
		appr	Pei-Ming Zheng	2016/05/24	product family	-				
surface	linear	0.X	±0.3		HPCE-STRADDLE MT (20P-12S) (RECEPTACLE)	cat. no.	Product - Customer Drw	sheet 2 of 4	rev D	
		0.XX	±0.1							
		0.XXX	±0.05							
	angular	0°	±°							



OPTIONAL POLARIZATION SLOT
(CORRESPONDS TO ORIENTATION KEY OPTION
(SEE TABLE))



**RECOMMENDED MATING BOARD
FOOTPRINT**

Amphenol
FCi

© 2016 AFci

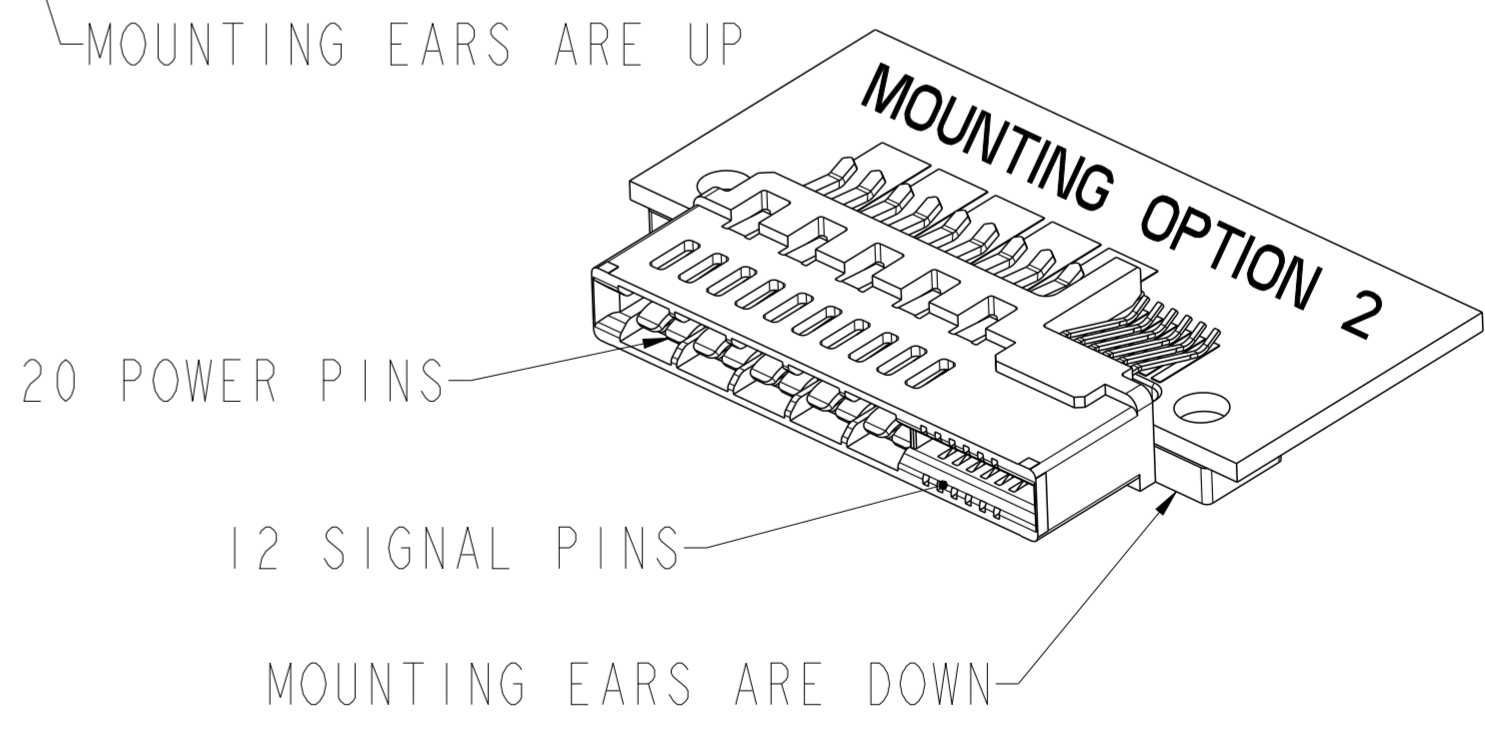
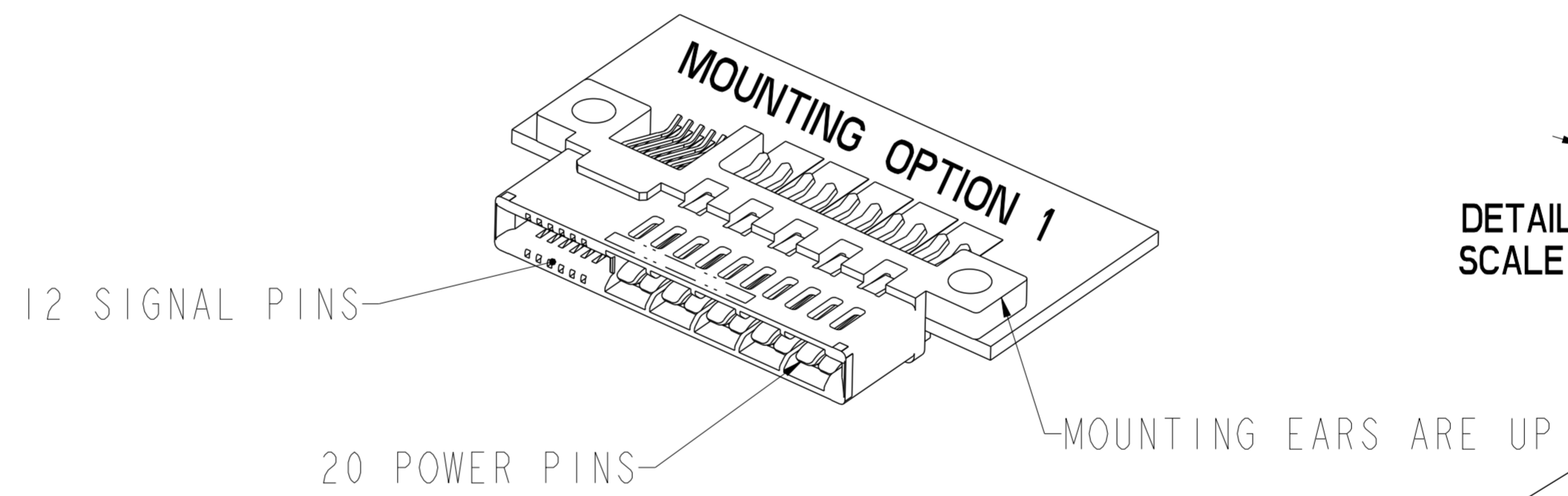
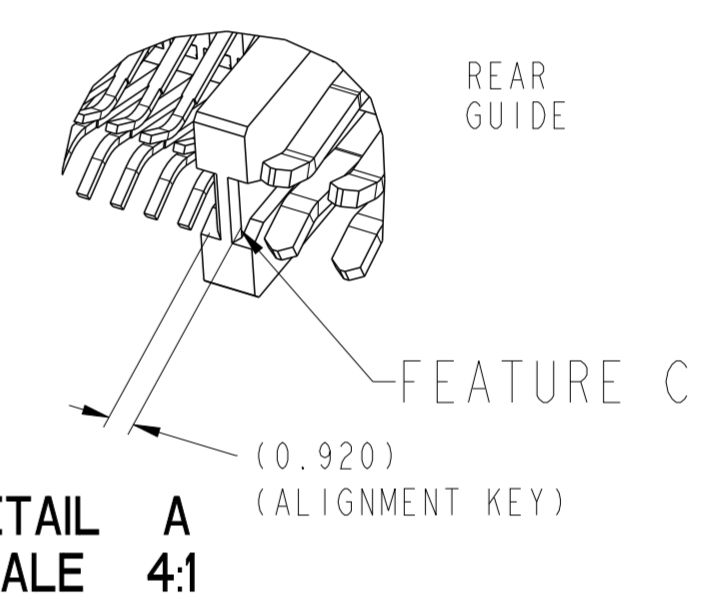
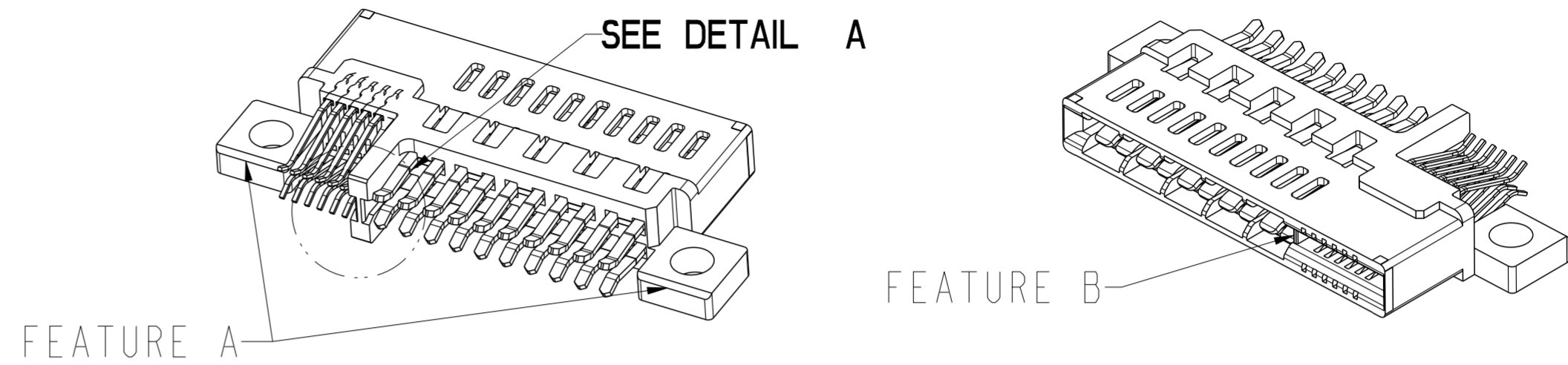
spec ref	-	dr	Wei-Long Zhang	2010/12/20	projection	MM	size	A2	scale	1:1
tolerance std	-	eng	Sunny2 Liu	2016/05/06			ecn no	ELX-DG-24036-1	rel level	Released
-	TOLERANCES UNLESS OTHERWISE SPECIFIED	chr	Terris Liu	2016/05/20						
-		appr	Pai-Ming Zheng	2016/05/24						
surface	linear	0.X	±0.3		HPCE-STRADDLE MT (20P-12S) (RECEPTACLE)	cat. no.	Product - Customer Drw	sheet 3 of 4	rev D	
-	0.XX	±0.1								
-	0.XXX	±0.05								
-	angular	0°	±°							

PDS: Rev :D

STATUS:Released

Printed: May 24, 2016

PART NUMBER	FEATURE C HOST BOARD ALIGNMENT KEY (SEE NOTE 8)	FEATURE A MOUNTING EARS	FEATURE B FRONT POLARIZATION KEY
10116809-001LF	YES	YES	NO
10116809-002LF		YES	YES
10116809-003LF		NO	NO
10116809-004LF		NO	YES
10116809-005LF	NO	YES	NO
10116809-006LF		YES	YES
10116809-007LF		NO	NO
10116809-008LF		NO	YES



NOTES:

- CONNECTOR MATERIALS:
HOUSING: HIGH TEMPERATURE THERMAL PLASTIC, BLACK
UL 94V-0 COMPLIANT
CONTACTS: HIGH PERFORMANCE COPPER ALLOY.
- CONTACT FINISH REF. GS-12-604 SECTION 5.2.
- PRODUCT SPECIFICATION: GS-12-604.
- APPLICATION SPECIFICATION: GS-20-128.
- PRODUCT MARKING ON HOUSING IN AREA SHOWN MEETS AFCI SPECIFICATION: GS-24-007.
- PACKAGING MEETS FCI SPECIFICATION GS-14-937.
- HOUSING COMPONENT WILL WITHSTAND EXPOSURE TO 260°C PEAK TEMPERATURE FOR 60 SECONDS IN A CONVECTION, INFRA-RED, OR VAPOR PHASE REFLOW OVEN.
- HOST BOARD ALIGNMENT KEY IS RECOMMENDED TO ENSURE PROPER ALIGNMENT OF SOLDER TAILS WITH HOST BOARD PADS.
- A SYMBOL \triangle WILL BE NEXT TO ANY DIMENSION, VIEW, OR NOTE WHICH HAS BEEN MODIFIED WITH THE CURRENT DRAWING REVISION.

spec ref	-	dr	Wei-Long Zhang	2010/12/20	projection	MM	size	A2	scale	4:1	
tolerance std	-	eng	Sunny2 Liu	2016/05/06			ecn no	ELX-DG-24036-1			
	TOLERANCES UNLESS OTHERWISE SPECIFIED	chr	Terris Liu	2016/05/20				rel level	Released		
		appr	Pai-Ming Zheng	2016/05/24				product family	CARD EDGE		
surface	linear	0.X	±0.3		Amphenol FCI TITLE HPCE-STRADDLE MT (20P-12S) (RECEPTACLE)	cat. no.	Product - Customer Drw	sheet 4 of 4	rev D		
		0.XX	±0.1								
		0.XXX	±0.05								
	angular	0°	±°								

Amphenol FCI

© 2016 AFCI