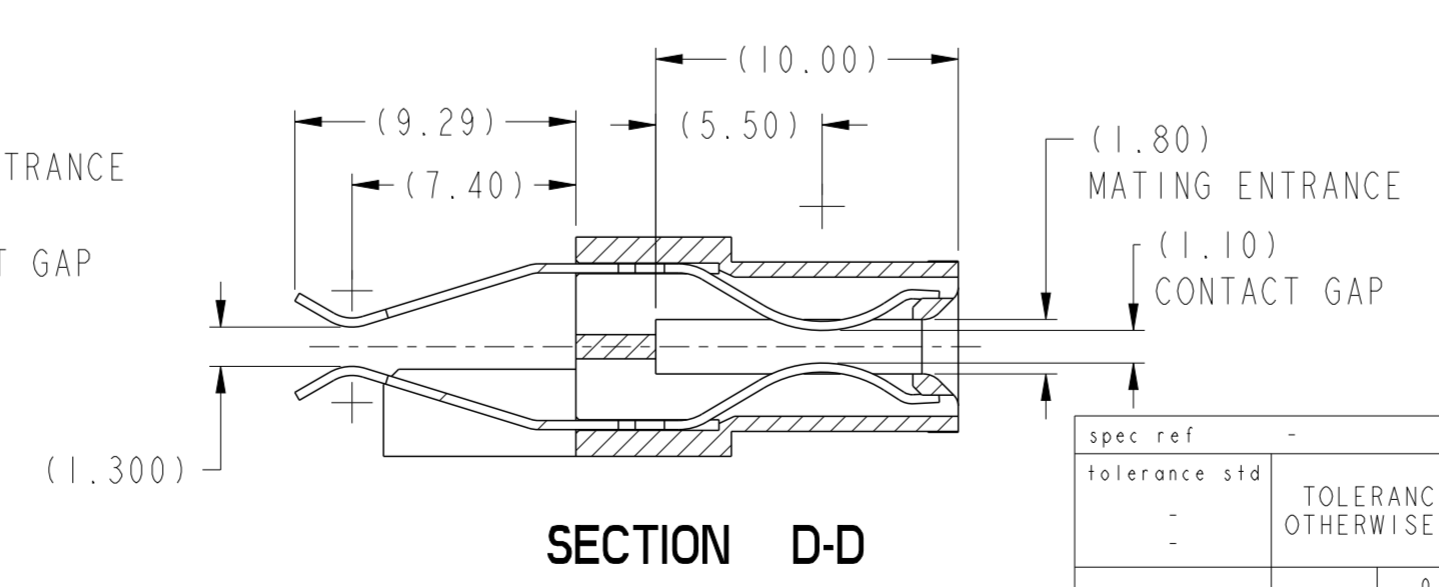
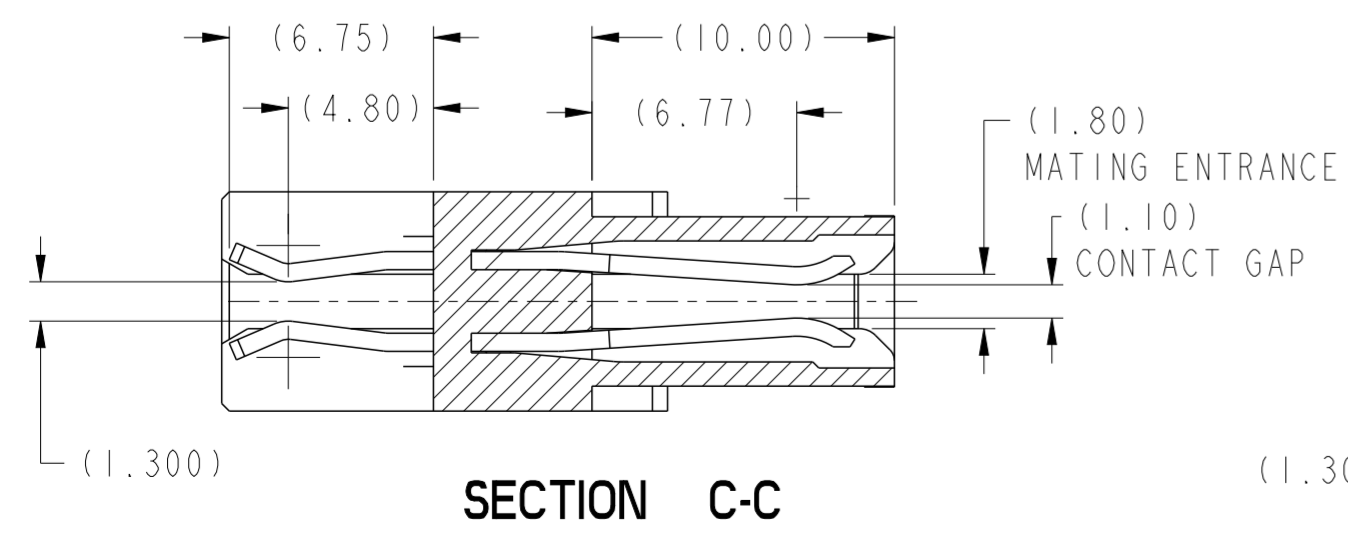
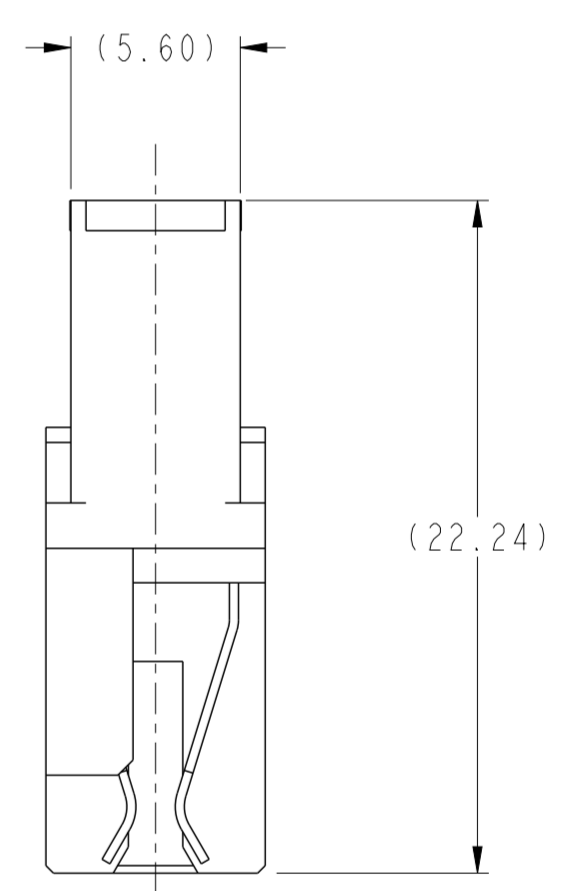
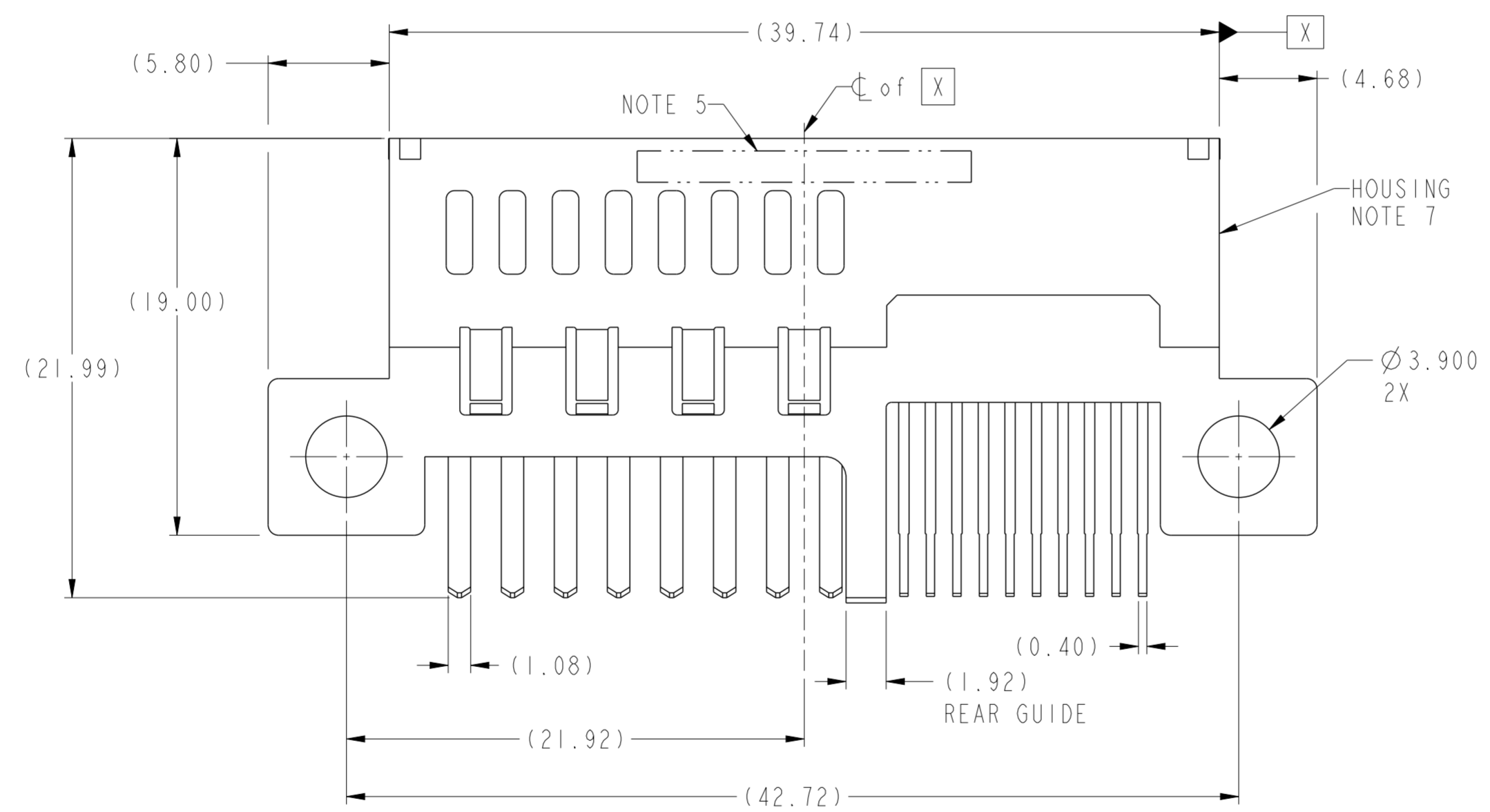
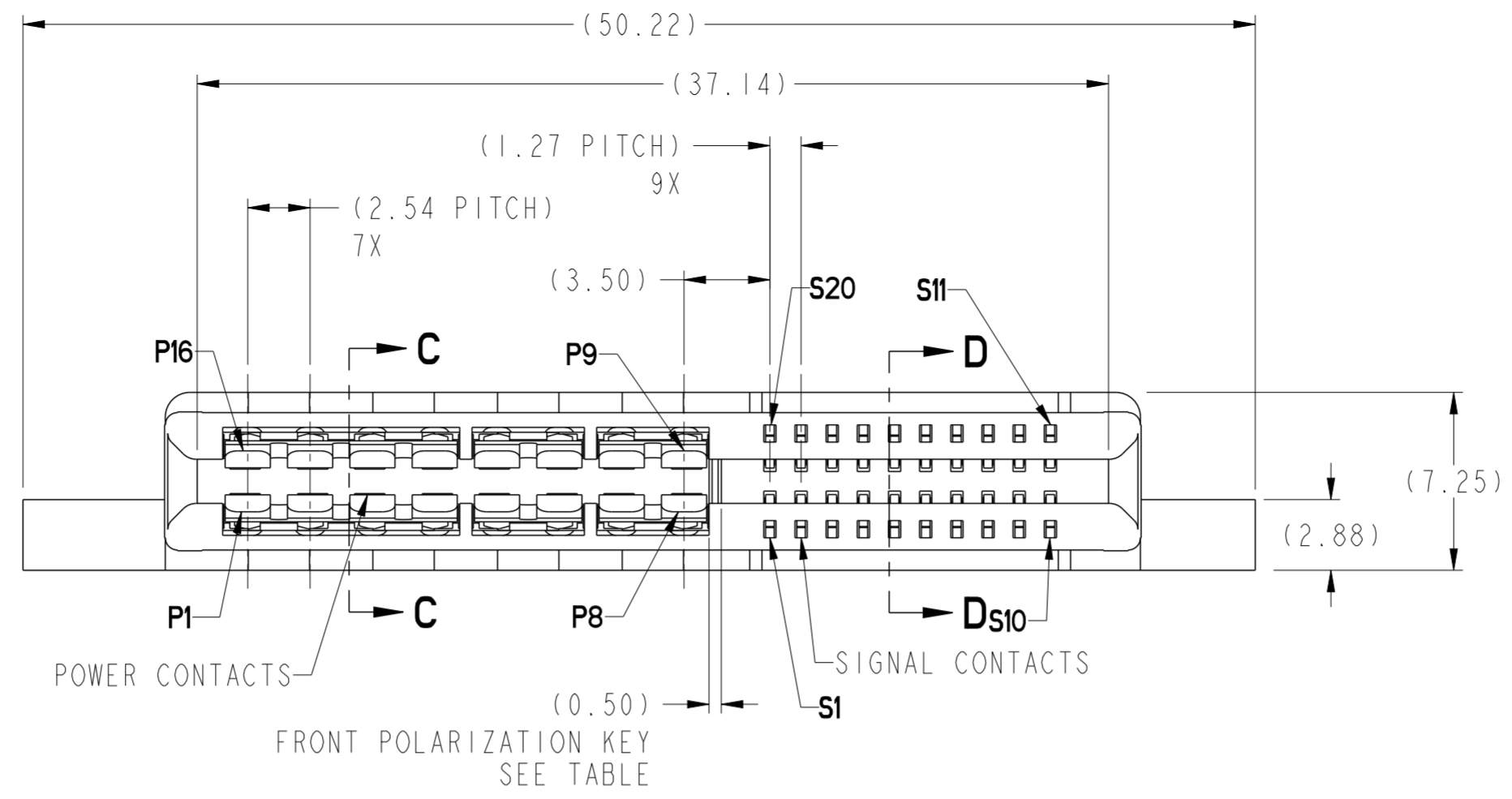
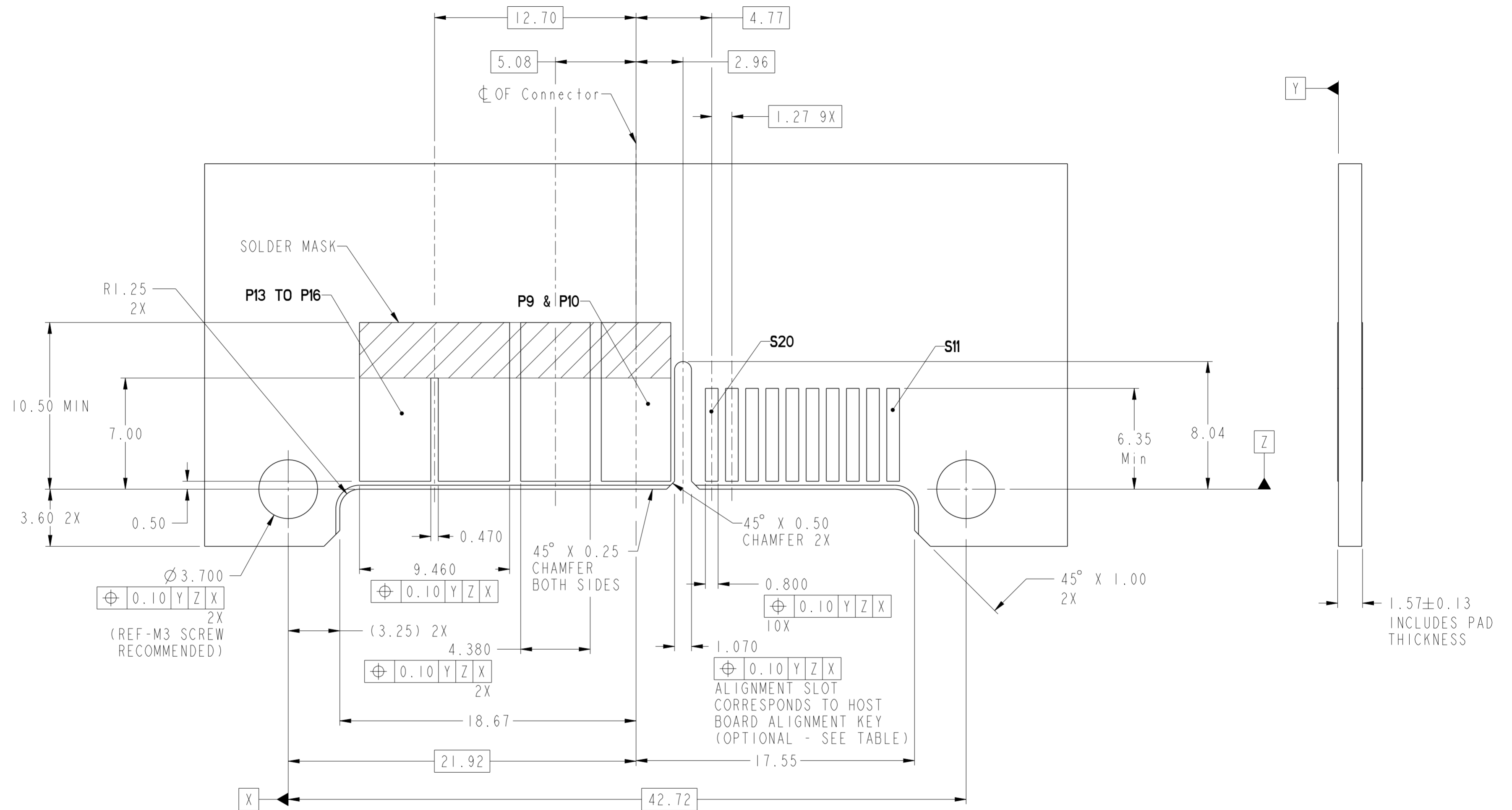


A
B
C
D
E
F

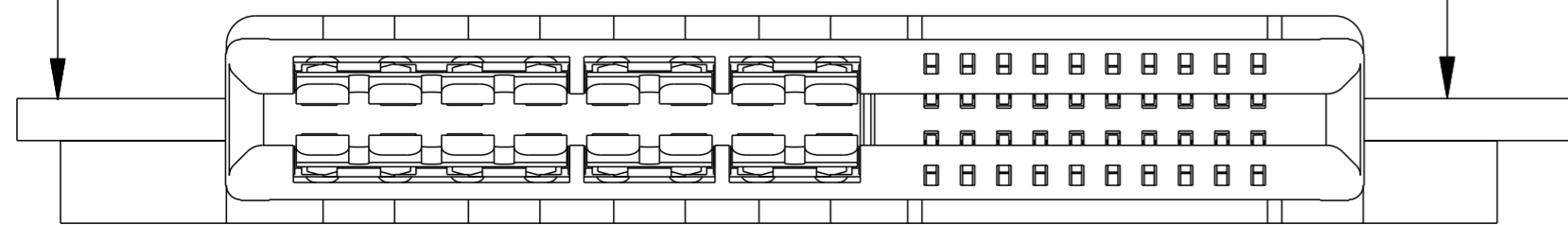


spec ref	-	dr	Chris Gieski	2010/08/11	projection	MM	size	A2	scale	4:1
tolerance std	-	eng	Sunny2 Liu	2016/05/06			ecn no	ELX-DG-24036-1	rel level	Released
		chr	Terris Liu	2016/05/20						
		appr	Pei-Ming Zheng	2016/05/24	product family	CARD EDGE	rel level	Released		
surface	linear	0.X	±0.3		title HPCE-STRADDLE MT (16P-20S) (RECEPTACLE) SPECIAL CASE	dwg no 10115788	rev C	Product - Customer Drw		sheet 1 of 5
		0.XX	±0.1							
		0.XXX	±0.05							
	angular	0°	±°	cat. no.	-					

NEW RECOMENDED HOST BOARD LAYOUT FOR IMPROVED SOLDER REFLOW PROCESS

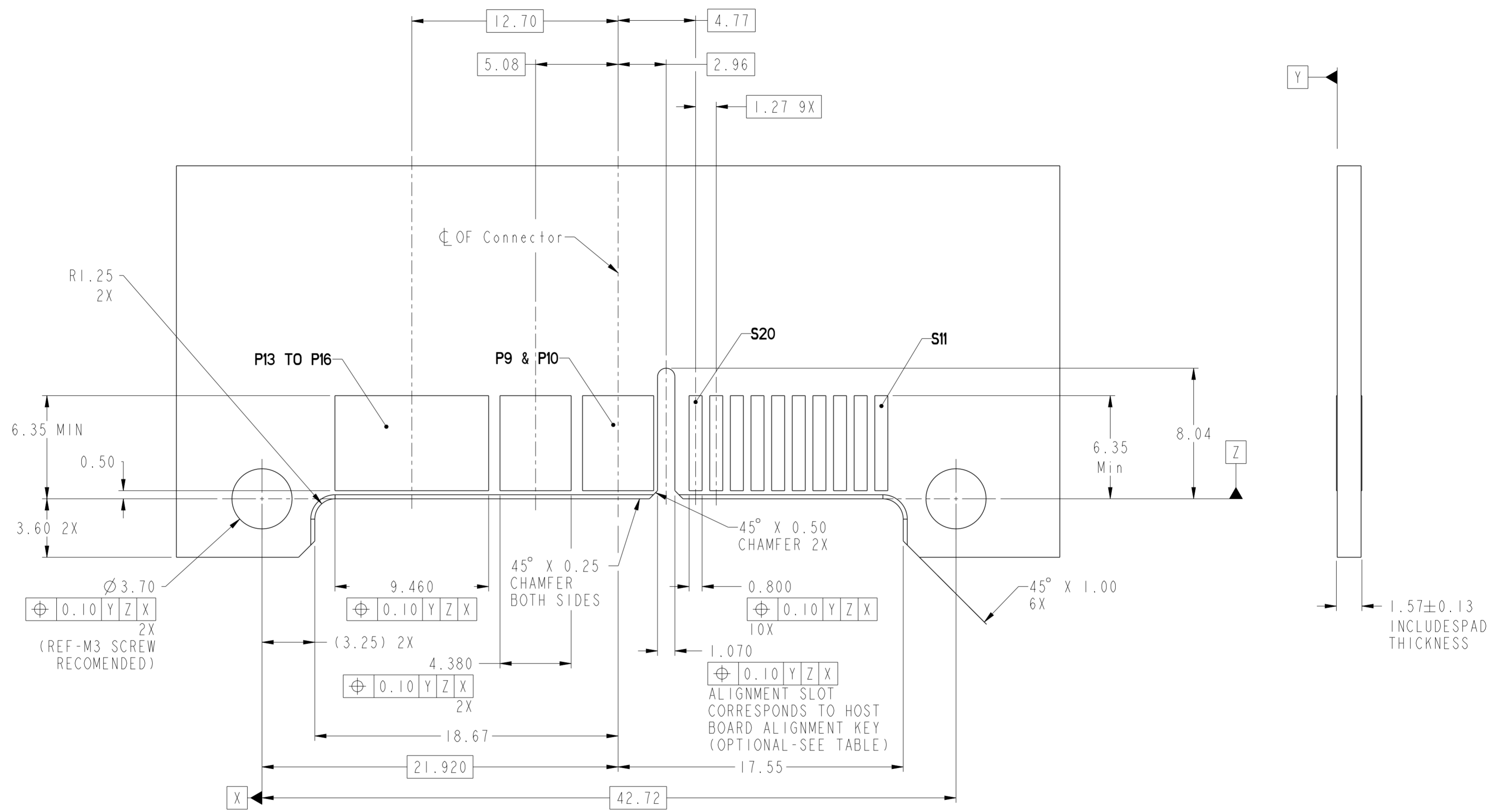


RECOMMENDED HOST BOARD LAYOUT AS VIEWED



spec ref	-	dr	Chris Gieski	2010/08/11	projection	MM	size	A2	scale	2:1	
tolerance std	TOLERANCES UNLESS OTHERWISE SPECIFIED	eng	Sunny2 Liu	2016/05/06			ecn no	ELX-DG-24036-1			
		chr	Terris Liu	2016/05/20			rel level	Released			
		appr	Pai-Ming Zheng	2016/05/24			product family				
surface	linear	0.X	±0.3		title HPCE-STRADDLE MT (16P-20S) (RECEPTACLE) SPECIAL CASE		dwg no	10115788			
		0.XX	±0.1		cat. no.	-		Product - Customer Drw	sheet 2 of 5		
	angular	0°	±°		rev	C					

OLD RECOMENDED HOST BOARD LAYOUT



Amphenol
FCi

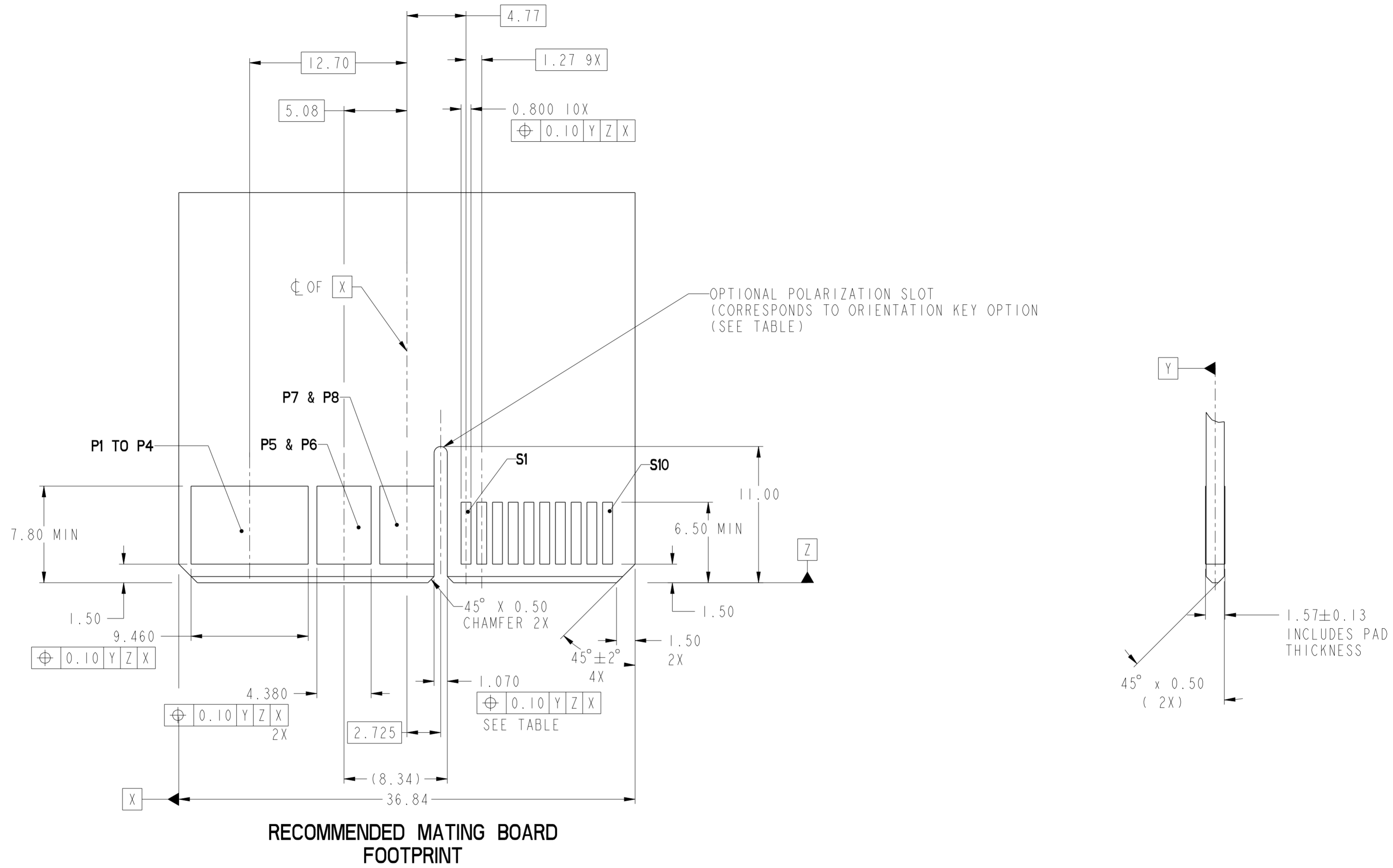
© 2016 AFci

spec ref -		dr Chris Gieski 2010/08/11	projection	MM	size A2	scale 2:1
tolerance std -		eng Sunny2 Liu 2016/05/06		Product family -	ecn no ELX-DG-24036-1	rel level Released
-		chr Terris Liu 2016/05/20			cat. no. -	Product - Customer Drw
surface -		appr Pei-Ming Zheng 2016/05/24	HPCE-STRADDLE MT (16P-20S) (RECEPTACLE) SPECIAL CASE		10115788	rev C
linear	0.X ±0.3	Amphenol FCI				
	0.XX ±0.1					
	0.XXX ±0.05					
angular	0° ±°					

PDS: Rev :C

STATUS:Released

Printed: May 24, 2016



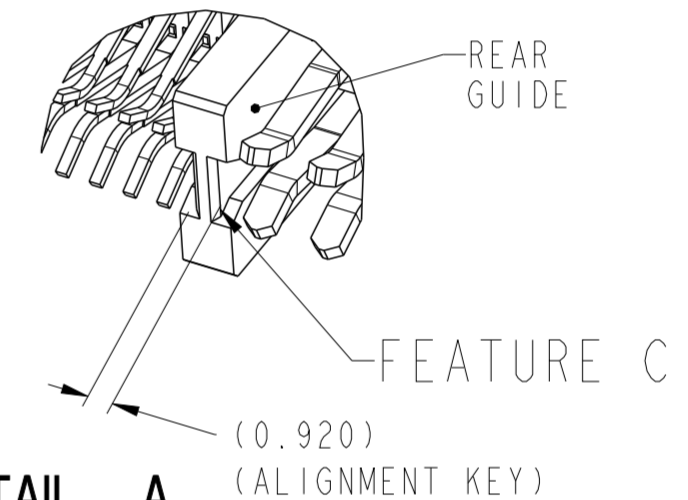
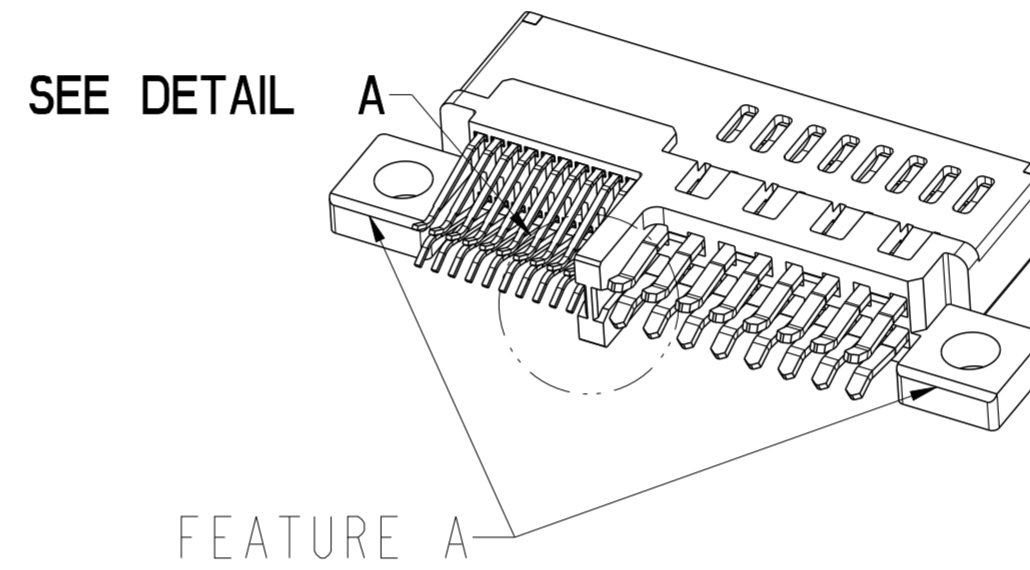
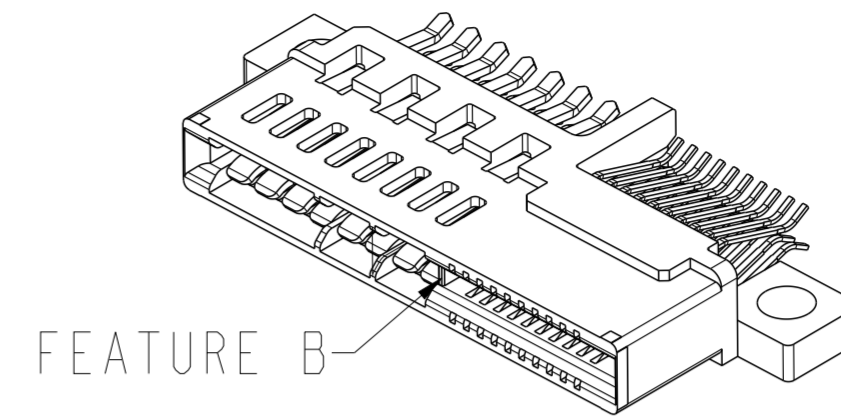
RECOMMENDED MATING BOARD FOOTPRINT

Amphenol FCI

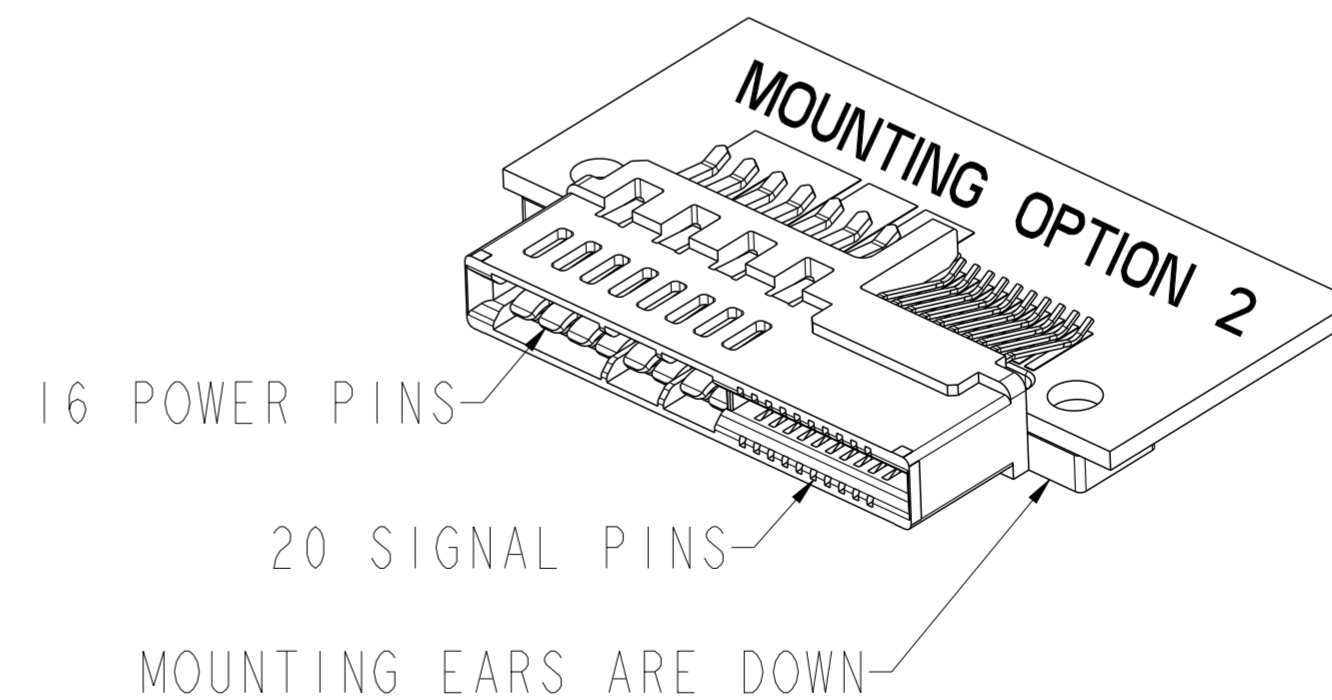
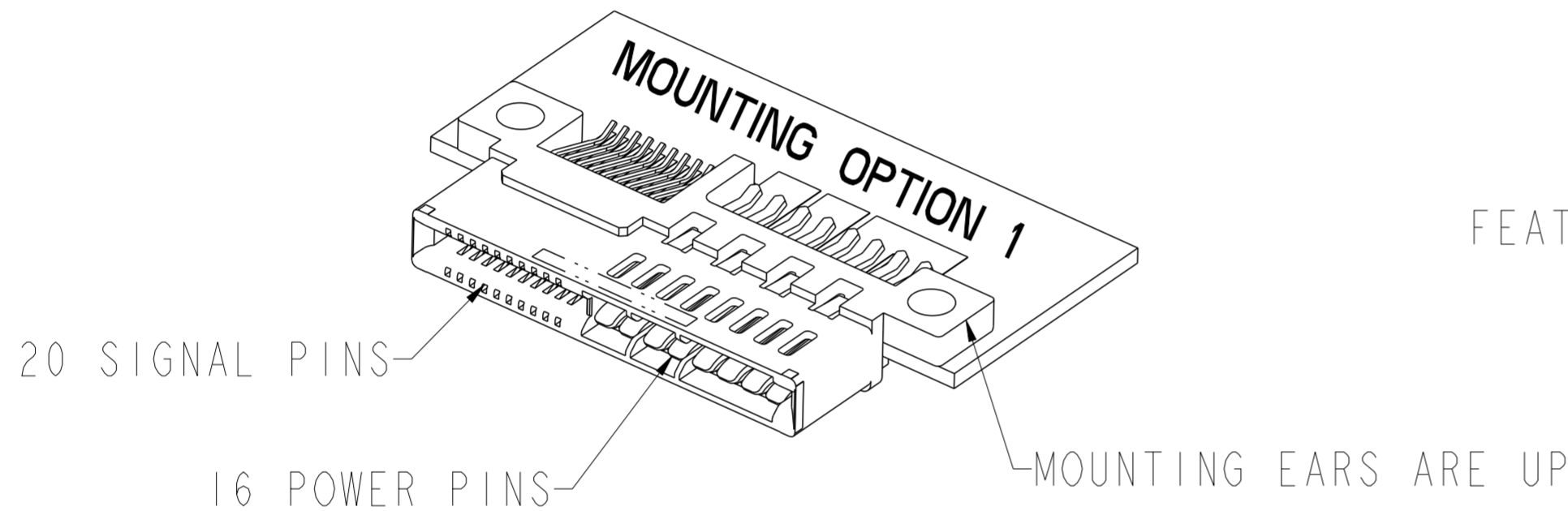
© 2016 AFCI

spec ref	-	dr	Chris Gieski	2010/08/11	projection	MM	size	A2	scale	1:1	
tolerance std	-	eng	Sunny2 Liu	2016/05/06			ecn no	ELX-DG-24036-1	rel level	Released	
-	TOLERANCES UNLESS OTHERWISE SPECIFIED	chr	Terris Liu	2016/05/20							
-		appr	Pai-Ming Zheng	2016/05/24							
surface	✓	linear	0.X	±0.3		title HPCE-STRADDLE MT (16P-20S) (RECEPTACLE) SPECIAL CASE	dwg no 10115788	rev C	cat. no. -	Product - Customer Drw	sheet 4 of 5
-			0.XX	±0.1							
-		angular	0°	±°							

PART NUMBER	FEATURE C HOST BOARD ALIGNMENT KEY (SEE NOTE 8)	FEATURE A MOUNTING EARS	FEATURE B FRONT POLARIZATION KEY
10115788-005LF	NO	YES	NO
10115788-006LF	NO		YES
10115788-007LF	YES		NO
10115788-008LF	YES		YES



DETAIL SCALE A 4:1



NOTES:

1. CONNECTOR MATERIALS:

HOUSING: HIGH TEMPERATURE THERMAL PLASTIC, BLACK
UL 94V-0 COMPLIANT
CONTACTS: HIGH PERFORMANCE COPPER ALLOY.

2. CONTACT FINISH REF. GS-12-604 SECTION 5.2.

3. PRODUCT SPECIFICATION: GS-12-604.

4. APPLICATION SPECIFICATION: GS-20-128.

5. PRODUCT MARKING ON HOUSING IN AREA SHOWN MEETS AFCI SPECIFICATION: GS-24-007.

6. PACKAGING MEETS FCI SPECIFICATION GS-14-937.

7. HOUSING COMPONENT WILL WITHSTAND EXPOSURE TO 260°C PEAK TEMPERATURE FOR 60 SECONDS IN A CONVECTION, INFRA-RED, OR VAPOR PHASE REFLOW OVEN.

8. HOST BOARD ALIGNMENT KEY IS RECOMMENDED TO ENSURE PROPER ALIGNMENT OF SOLDER TAILS WITH HOST BOARD PADS.

9. THE OLD HOST BOARD IS ASSOCIATED WITH -001 & -002 PARTS
THE NEW HOST BOARD CAN BE USED WITH ALL DASH NUMBERS AND IS FOR IMPROVED SOLDER PROCESS

10. A SYMBOL \triangle WILL BE NEXT TO ANY DIMENSION, VIEW, OR NOTE WHICH HAS BEEN MODIFIED WITH THE CURRENT DRAWING REVISION.

spec ref	-	dr	Chris Gieski	2010/08/11	projection	MM	size	A2	scale	4:1										
tolerance std	-	eng	Sunny2 Liu	2016/05/06			ecn no	ELX-DG-24036-1	rel level	Released										
		chr	Terris Liu	2016/05/20																
		appr	Pei-Ming Zheng	2016/05/24	product family	CARD EDGE														
surface	<table border="1"> <tr> <td>linear</td> <td>0.X</td> <td>±0.3</td> </tr> <tr> <td></td> <td>0.XX</td> <td>±0.1</td> </tr> <tr> <td></td> <td>0.XXX</td> <td>±0.05</td> </tr> <tr> <td>angular</td> <td>0°</td> <td>±°</td> </tr> </table>	linear	0.X	±0.3		0.XX	±0.1		0.XXX	±0.05	angular	0°	±°	Amphenol FCI	title	HPCE-STRADDLE MT (16P-20S) (RECEPTACLE) SPECIAL CASE	dwg no	10115788	rev	C
linear	0.X	±0.3																		
	0.XX	±0.1																		
	0.XXX	±0.05																		
angular	0°	±°																		
			cat. no.	-	Product - Customer Drw	sheet 5 of 5														