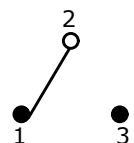


SWITCH FUNCTION		
POS. 1	POS. 2	POS. 3
ON	OFF	(ON)
2-3	OPEN	2-1

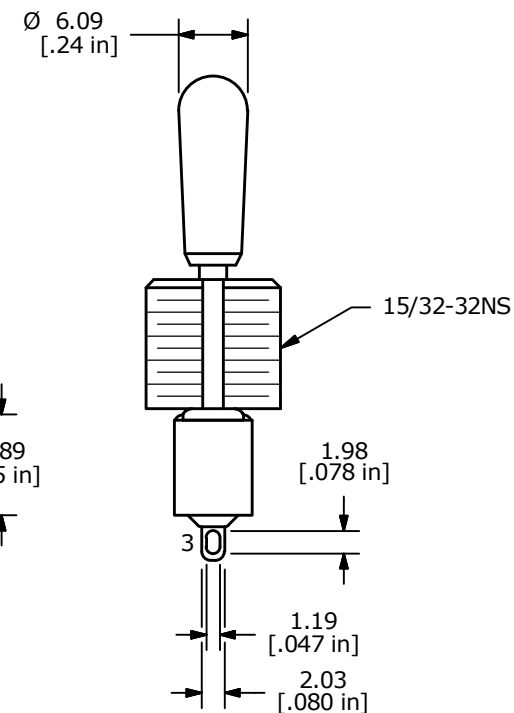
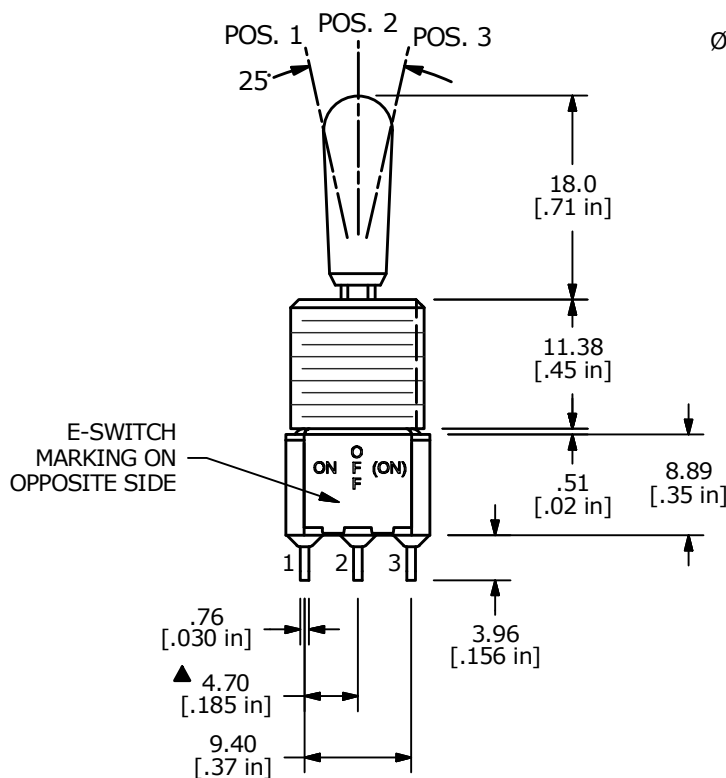
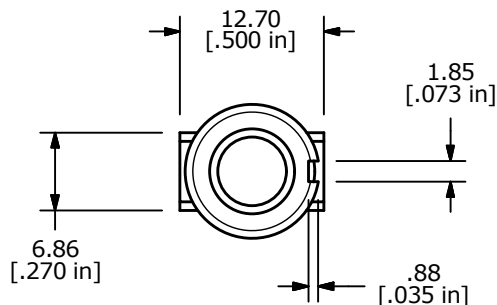
(ON) = MOMENTARY



CIRCUIT: SPDT

NOTE:

1. ALL DIMENSIONS IN MM [INCH]
2. GENERAL TOLERANCE: X.X = ±0.4  
X.XX = ±0.25
3. TERMINAL NUMBERS FOR REF ONLY
- ▲ 4. CONTACT MATERIAL: SILVER
5. RATING: 2A @ 250 VAC  
5A @ 120 VAC OR 28 VDC
6. ELECTRIC LIFE: 40,000 MAKE-AND-BREAK CYCLES AT FULL LOAD.
7. INSULATION RESISTANCE: 1,000 MEGA-OHM MIN.
8. DIELECTRIC STRENGTH: 1,000 V RMS @SEA LEVEL.
9. OPERATING TEMP.: -30°C to 85°C
10. ▲ DENOTES CRITICAL PARAMETER.
11. 2011/65/EU (ROHS) COMPLIANT
12. HARDWARE TO BE SHIPPED BULK:  
T100012 - LOCK WASHER, QTY 1  
T100003 - LOCK RING, QTY 1  
T100004 - HEX NUT, QTY 2



C	23050	update drawing	10/17/17	MW
B	17529	REVISED AND REDRAWN	8/2/07	BF
REV	PCR NO	DESCRIPTION	DATE	BY

TITLE 100SP5T8B13M1QEH				
SCALE 2:1	DATE 8/2/2007	DR BF	DWG ST115012	REV C

THE INFORMATION CONTAINED IN THIS DOCUMENT IS PROPRIETARY TO E-SWITCH AND IS NOT TO BE COPIED OR TRANSFERRED