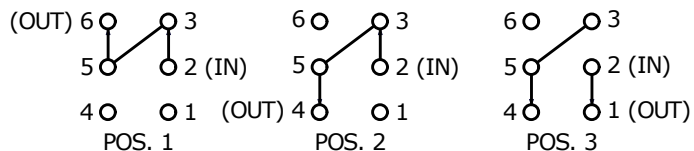
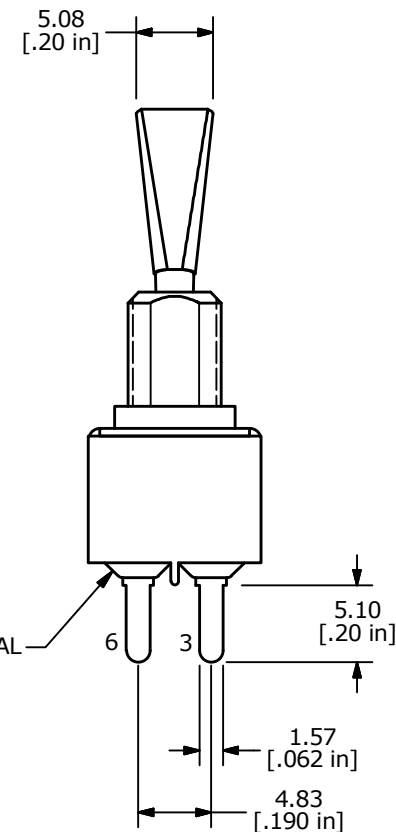
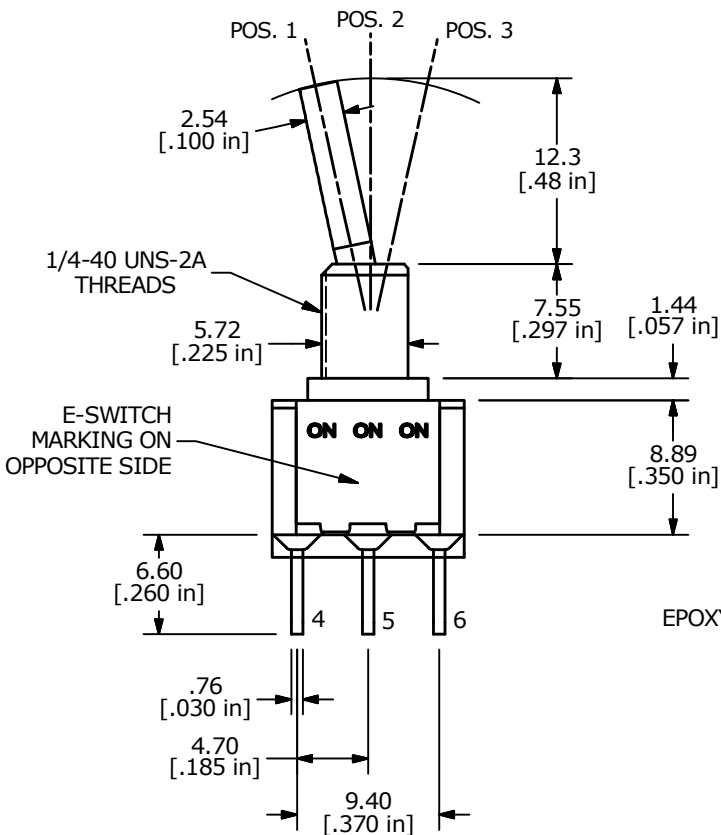


▲ SWITCH FUNCTION		
POS. 1	POS. 2	POS. 3
ON	ON	ON
2-3, 5-6	2-3, 5-4	2-1, 5-4



DPDT 3 WAY CIRCUIT
NOTE: JUMPER PIN 3 TO 5



- NOTE:
- ALL DIMENSIONS IN MM [INCH]
 - GENERAL TOLERANCE: X.X±0.4
X.XX±0.25
 - TERMINAL NUMBERS FOR REF ONLY
 - PLATING MATERIAL: GOLD
 - RATING: 0.4VA MAX @20V MAX (AC or DC)
 - ELECTRIC LIFE: 40,000 MAKE-AND-BREAK CYCLES AT FULL LOAD.
 - INSULATION RESISTANCE: 1,000 MEGA-OHM MIN.
 - DIELECTRIC STRENGTH: 1,000 V RMS @SEA LEVEL.
 - OPERATING TEMP.: -30°C to 85°C
 - ▲ DENOTES CRITICAL PARAMETER.
 - HARDWARE TO BE SHIPPED BULK:
T100011 - LOCK WASHER, QTY 1
T100002 - LOCK RING, QTY 1
T100000 - HEX NUT, QTY 2

D	23506	correct Switch Function	8/1/18	MW
C	22595	UPDATED PIN NUMBERING	11/16/16	MJR
B	17870	Redrawn in 3D; updated dimensions	11/19/07	rc
REV	PCR NO	DESCRIPTION	DATE	BY



TITLE 100DP6T6B15M3REH				
SCALE 2:1	DATE 11/19/2007	DR rc	DWG ST121088	REV D

THE INFORMATION CONTAINED IN THIS DOCUMENT IS PROPRIETARY TO E-SWITCH AND IS NOT TO BE COPIED OR TRANSFERRED