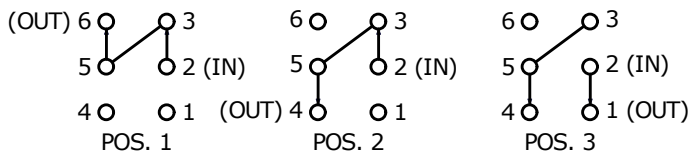
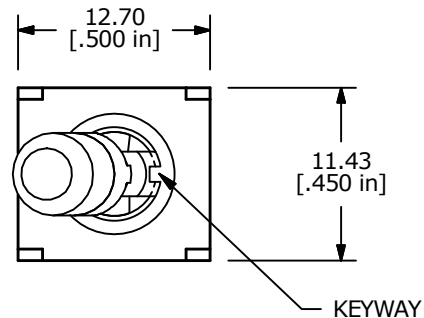
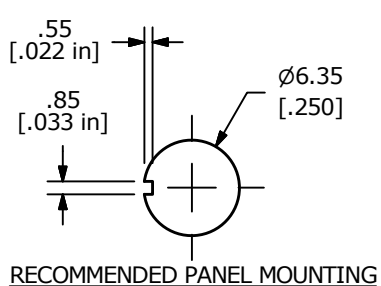
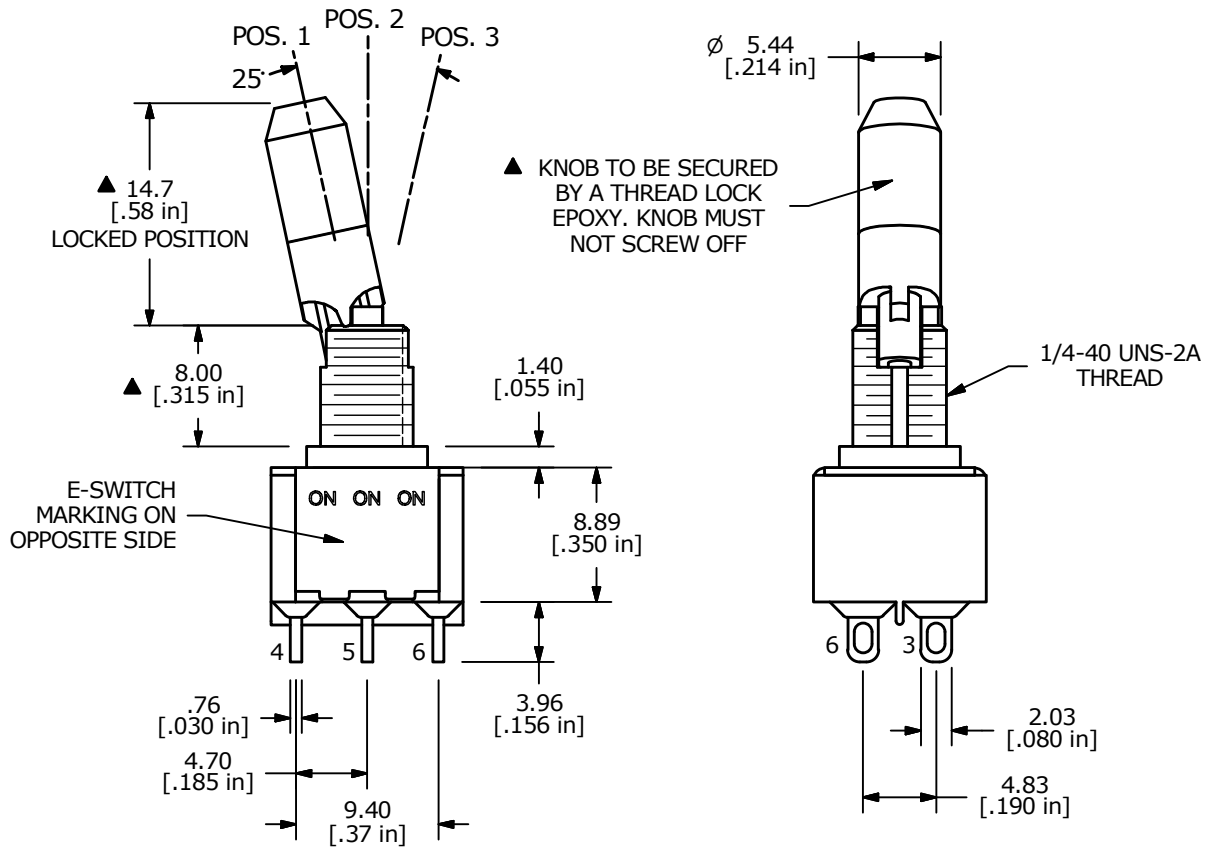


▲ SWITCH FUNCTION		
POS. 1	POS. 2	POS. 3
ON	ON	ON
2-3,5-6	2-3, 5-4	2-1, 5-4



DPDT 3 WAY CIRCUIT
NOTE: JUMPER PIN 3 TO 5

- NOTE:
1. ALL DIMENSIONS IN MM [INCH]
 2. GENERAL TOLERANCE: X.X = ±0.4
X.XX = ±0.25
 3. TERMINAL NUMBERS FOR REF ONLY
 - ▲ 4. PLATING MATERIAL: SILVER
 5. RATING: 2 AMPS @250VAC
5 AMPS @120VAC or 28VDC
 6. ELECTRIC LIFE: 40,000 make-and-break cycles at full load.
 7. INSULATION RESISTANCE: 1,000 Mega-ohm min.
 8. DIELECTRIC STRENGTH: 1,000 V RMS @sea level.
 9. OPERATING TEMP.: -30°C to 85°C
 10. ▲ DENOTES CRITICAL PARAMETER.
 11. 2011/65/EU (ROHS) COMPLIANT



D	23374	update print	5/21/18	MW
C	21635	CORRECTED TERM NUMBERS	10/15/14	AS
B	16481	SWITCH/CIRCUIT FUNCTION CHANGE	9/21/2006	AS
A	16197	RELEASED FOR PRODUCTION	7/3/06	AS
REV	PCR NO	DESCRIPTION	DATE	BY



TITLE 100DP6K2B25M1QE

THE INFORMATION CONTAINED IN THIS DOCUMENT IS PROPRIETARY TO E-SWITCH AND IS NOT TO BE COPIED OR TRANSFERRED

SCALE	DATE	DR	DWG	REV
2:1	7/3/2006	AS	T116007	D