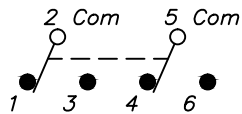


RECOMMENDED P.C.B. LAYOUT  
SCALE: 2:1

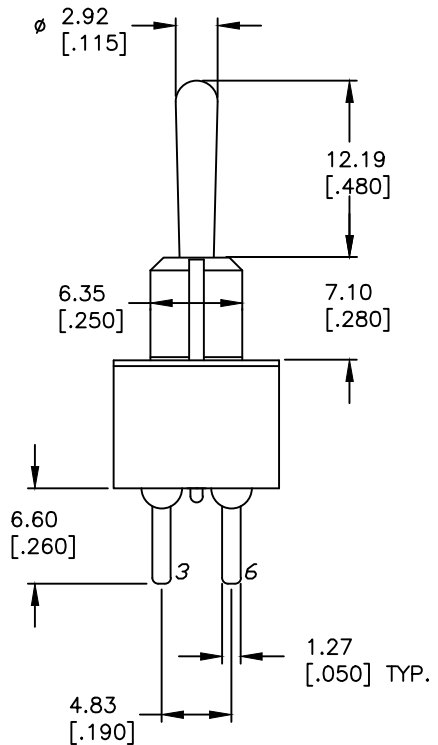
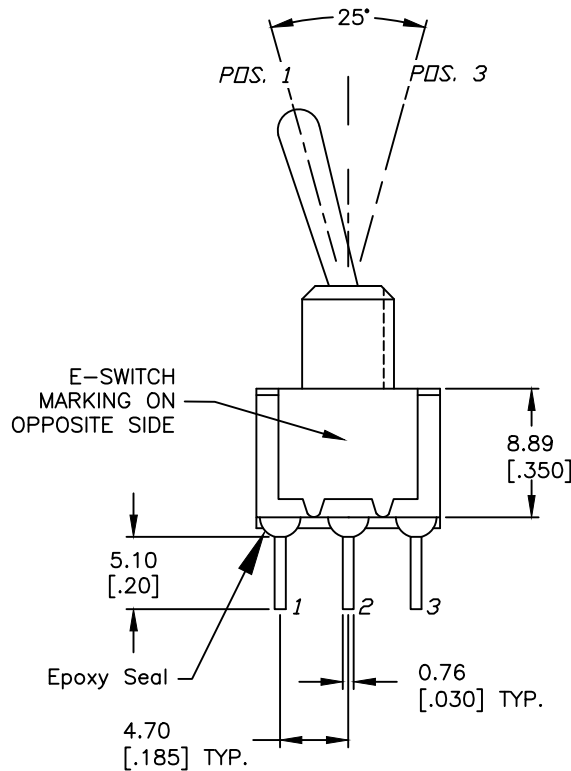
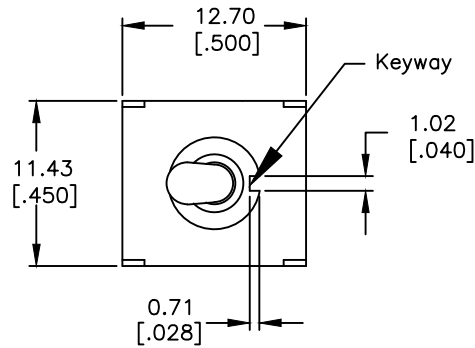


CIRCUIT: DPDT

SWITCH FUNCTION		
PDS. 1	PDS. 2	PDS. 3
ON	NONE	ON
2-3,5-6	OPEN	2-1,5-4

NOTES:

- ALL DIMENSIONS IN MM [INCH]
- GENERAL TOLERANCE: X.X=±0.4  
X.XX=±0.25
- TERM. NOS. FOR REF. ONLY
- RATING: 5A @120VAC OR 28VDC  
2A @250VAC
- MATERIALS: FIXED TERM. & MOVING CONTACT:  
Copper Alloy W/Silver plate.
- ELECTRICAL LIFE: 50,000 make-and-break cycles at full load.
- INSULATION RESISTANCE: 1,000M ohm min.
- DIELECTRIC STRENGTH: 1000V RMS @sea level
- OPERATING TEMP.: -30°C to 85°C



B	23069	DRAWING UPDATE	10/31/17	MW
A	12399	RELEASED FOR PRODUCTION	9/3/02	CJB
REV.	ECN No.	DESCRIPTION	DATE	CHKD

TITLE				
100 DP-1 T1 B4 M2 Q E				
SCALE	DATE	DR	DWG	REV
2:1	7/20/01	CJB	T121073	B

THE INFORMATION CONTAINED IN THIS DOCUMENT IS PROPRIETARY TO E-SWITCH AND IS NOT TO BE COPIED OR TRANSFERRED