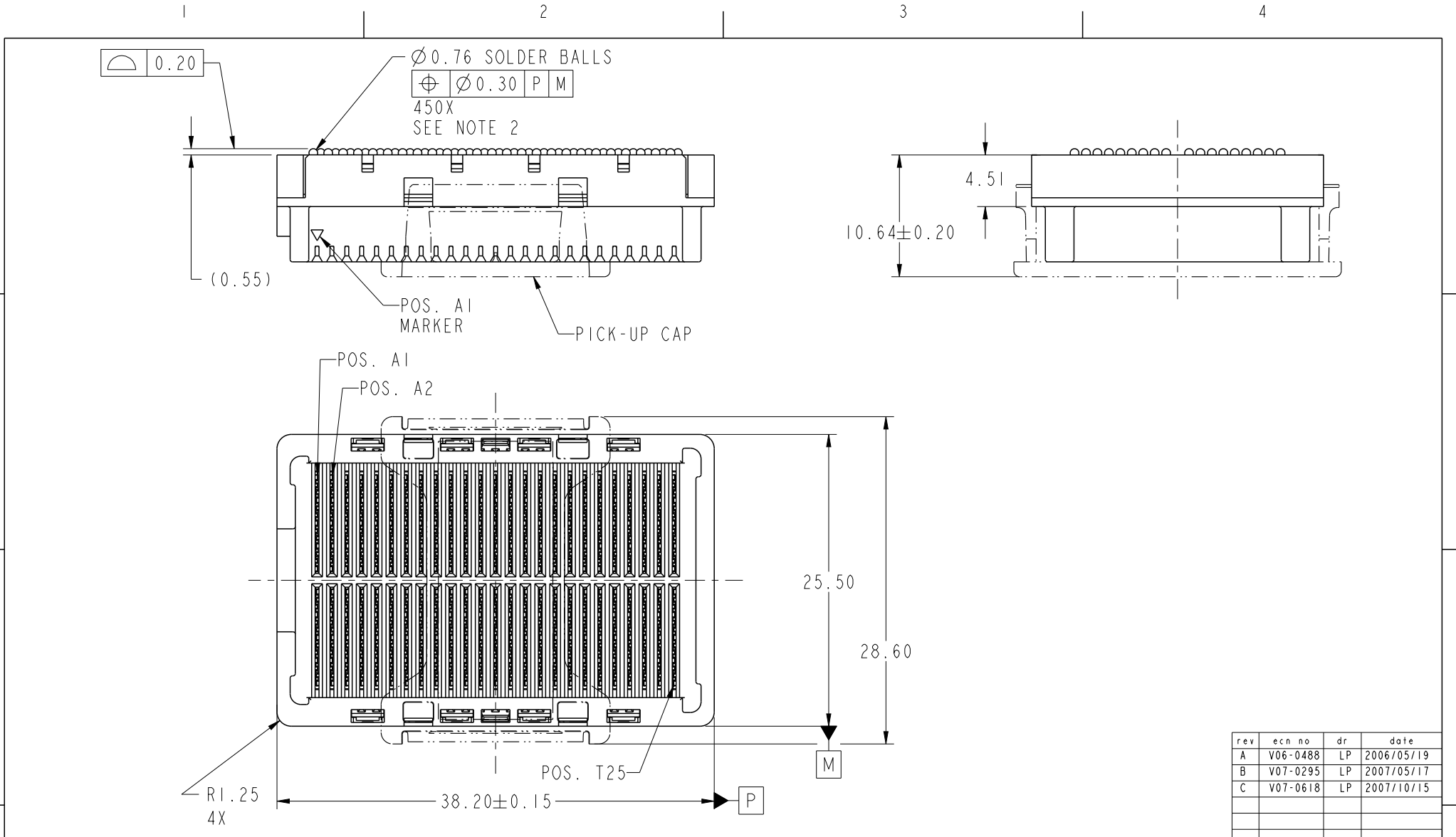




Copyright FCI.



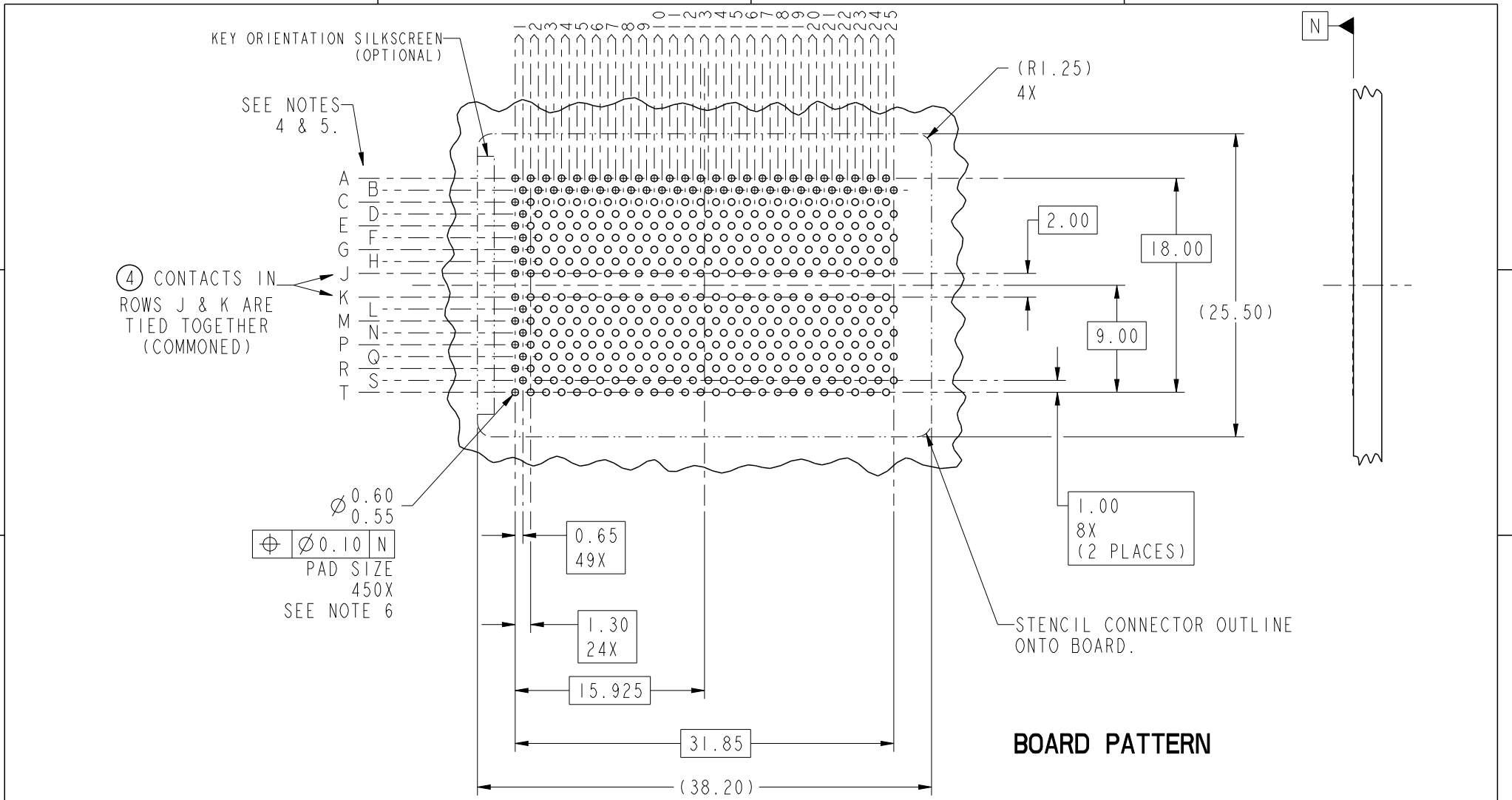
rev	ecn no	dr	date
A	V06-0488	LP	2006/05/19
B	V07-0295	LP	2007/05/17
C	V07-0618	LP	2007/10/15

spec ref	-	dr	Bill Lin	2010/02/02	projection		mm	size	A4	scale	21:10
tolerance std	ASME Y14.5	eng	Nickor Zuo	2011/06/21	product family	GIG-Array		ecn no	ELX-DG-003943-1		
	TOLERANCES UNLESS OTHERWISE SPECIFIED	chr	Alex Cao	2011/06/24		rel level	Released				
surface	✓	appr	Pei-Ming Zheng	2011/06/27	title	GIG-Array - 5mm RECEPTACLE		dwg no	10069344		
					cat. no.	Product - Customer Drw		rev	D		
									sheet 1 of 5		

ProE File - REV C - 2009-06-09



Copyright FCI.



spec ref	-	dr	Bill Lin	2010/02/02	projection	mm	size	A4	scale	21:10		
tolerance std	ASME Y14.5	eng	Nickor Zuo	2011/06/21			ecn no				ELX-DG-003943-1	
TOLERANCES UNLESS OTHERWISE SPECIFIED		chr	Alex Cao	2011/06/24			rel level					Released
surface	✓	appr	Pei-Ming Zheng	2011/06/27			product family		GIG-Array			rev
	linear	0.X	±0.30		title			GIG-Array - 5mm RECEPTACLE		dwg no 10069344	sheet 2 of 5	
		0.XX	±0.10		ASSY. 200 SIG. POS.							
		0.XXX	±0.05		cat. no.			Product - Customer Drw				
	angular	0°	±2°	www.fci.com	Product - Customer Drw			STATUS:Released				

ProjE File - REV C - 2009-06-09

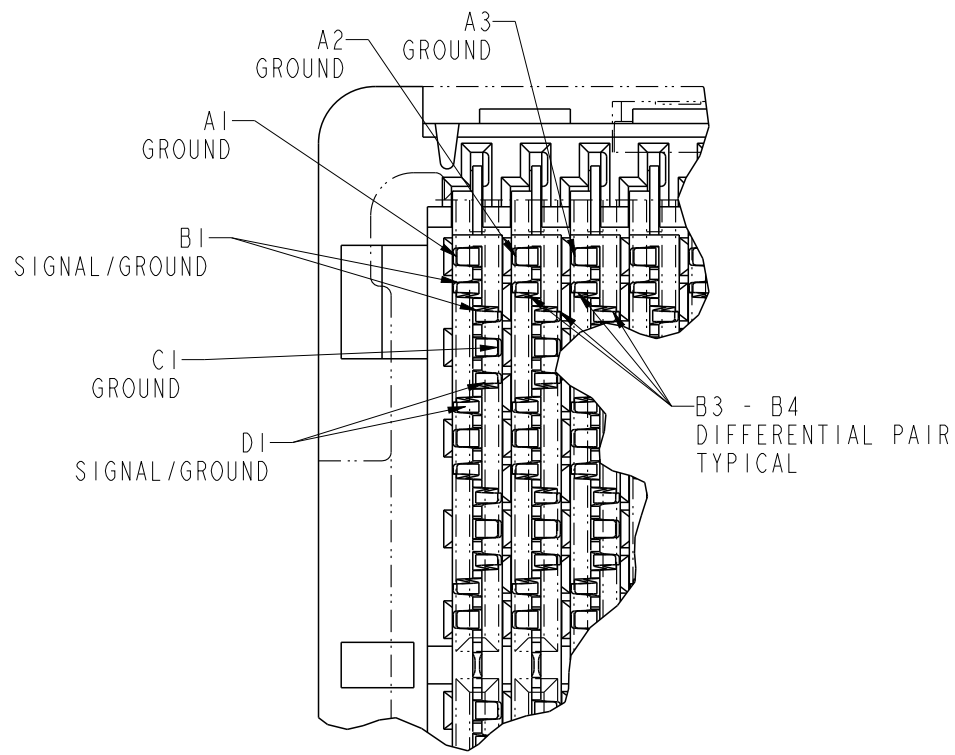
1 2 3 4

A

B

C

D



**RECEPTACLE INTERFACE DESCRIPTION**

SCALE 6:1

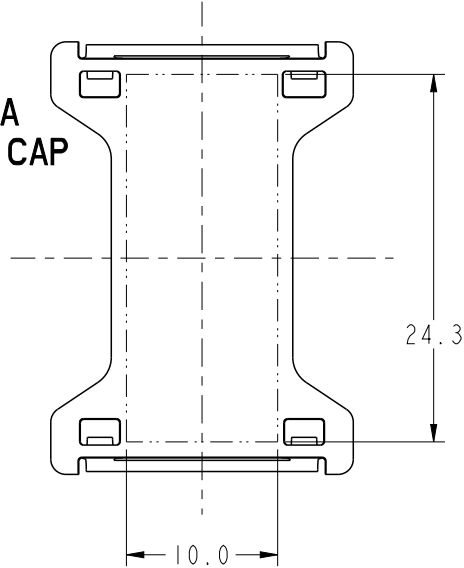


Copyright FCI.

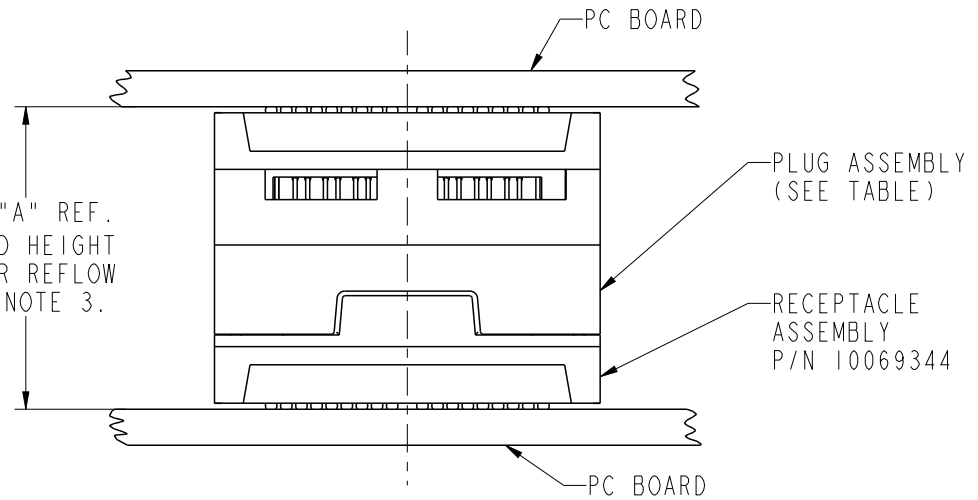
spec ref		-		dr	Bill Lin	2010/02/02	projection 	mm 	size	A4	scale	21:10
tolerance std	ASME Y14.5	TOLERANCES UNLESS OTHERWISE SPECIFIED		eng	Nickor Zuo	2011/06/21			ecn no	ELX-DG-003943-1		
				chr	Alex Cao	2011/06/24				rel level	Released	
surface	✓	linear	0.X	±0.30	FCI	title	GIG-Array - 5mm RECEPTACLE ASSY. 200 SIG. POS.	dwg no	10069344		rev	D
			0.XX	±0.10								
			0.XXX	±0.05								
		angular	0°	±2°	www.fci.com	cat. no.	Product - Customer Drw		sheet 3 of 5			

PrdE File - REV C - 2009-06-09

FLAT AREA  
FOR PICK-UP CAP  
SCALE 2:1



DIM "A" REF.  
MATED HEIGHT  
AFTER REFLOW  
SEE NOTE 3.



END VIEW OF MATED CONNECTORS  
SCALE 2:1

DIM. "A"	PLUG ASSEMBLY P/N
15	55737
17	10026802
18	10055142
20	55738
25	55739
30	10054783



Copyright FCI.

spec ref		-		dr	Bill Lin	2010/02/02	projection 	mm 	size	A4	scale	1:10
tolerance std	ASME Y14.5	TOLERANCES UNLESS OTHERWISE SPECIFIED		eng	Nickor Zuo	2011/06/21			ecn no	ELX-DG-003943-1		
				chr	Alex Cao	2011/06/24				rel level	Released	
surface		linear	0.X	±0.30	FCI	title	GIG-Array - 5mm RECEPTACLE	dwg no	10069344	rev	D	
-			0.XX	±0.10								www.fci.com
		angular	0°	±2°								

PRODUCT NUMBER	SOLDER BALL COMPOSITION	CONTACT PLATING PERFORMANCE LEVEL
10069344-001	STANDARD (EUTECTIC)	PERFORMANCE-BASED PLATING, QUALIFIED TO MEET THE REQUIREMENTS OF FCI PRODUCT SPECIFICATION GS-12-192, INCLUDING TELCORDIA CENTRAL OFFICE  Au over Ni
10069344-001LF	LEADFREE	
10069344-201	STANDARD (EUTECTIC)	
10069344-201LF	LEADFREE	

NOTES:

- ① MATERIAL:  
HOUSING: LCP  
CONTACT: COPPER ALLOY  
PLATING (CONTACT): Au OVER Ni.  
UL RATING: 94 V-0  
SOLDERBALL: (SEE TABLE) EUTECTIC SnPb OR LEAD FREE 95.5 Sn/4Ag/0.5Cu.
- ② SOLDER BALLS WILL NOT BE PERFECT SPHERICAL SHAPE DUE TO REFLOW ATTACHMENT.
- ③ MATED HEIGHT EFFECTED BY CUSTOMERS' PCB PAD SIZE, PLATING, SOLDER REFLOW PROFILE & SOLDER PASTE.
- ④ CONTACTS IN ROWS A,C,E,G,J,K,M,P,R AND T ARE SINGLE BEAM CONTACTS USED AS GROUND PINS.  
(NOTE: CONTACTS IN ROWS J & K ARE TIED TOGETHER [COMMONED])
- ⑤ CONTACTS IN ROWS B,D,F,H,L,N,Q AND S ARE DUAL BEAM CONTACTS, TYPICALLY USED AS SIGNAL PINS.
- ⑥ SPECIFIED POSITIONAL TOLERANCE DEFINES PAD TO PAD LOCATION WITHIN LAND PATTERN. POSITIONAL TOLERANCE OF LAND PATTERN TO FUDICIAL MARKS OR PCB DATUMS SHALL BE DEFINED BY CUSTOMER. FOR RECOMMENDED PRODUCT APPLICATION AND PCB DESIGN DETAILS, SEE DOC. NO. GS-20-016.
- ⑦ FOR PROPER APPLICATION FOLLOW FCI APPLICATION SPECIFICATION GS-20-033. LEAD FREE SOLDER BALLS WILL NOT SOLDER PROPERLY IN A LEADED SOLDER PROCESS DUE TO A HIGHER REFLOW TEMPERATURE. LEADFREE PRODUCT IS THEREFORE NOT BACKWARDS COMPATIBLE WITH LEADED OR SOME SOLDERING APPLICATIONS. REFERENCE FCI APPLICATION SPECIFICATION.
- ⑧ THIS PRODUCT MEETS THE EUROPEAN UNION DIRECTIVES AND OTHER COUNTRY REGULATIONS AS DESCRIBED IN GS-22-008. PRODUCT MEETING THIS DIRECTIVE IS IDENTIFIED IN THE CODE NUMBER MARKED ON EACH PART BY HAVING AN "X" IN THE SEVENTH CHARACTER POSITION.

spec ref	-	dr	Bill Lin	2010/02/02	projection 	mm 	size	A4	scale	21:10	
tolerance std	TOLERANCES UNLESS OTHERWISE SPECIFIED	eng	Nickor Zuo	2011/06/21			ecn no	ELX-DG-003943-1			
ASME Y14.5		chr	Alex Cao	2011/06/24			rel level	Released			
surface	linear	appr	Pei-Ming Zheng	2011/06/27	product family	GIG-Array		rev	D		
-		angular	www.fci.com		cat. no.	Product - Customer Drw		10069344	sheet 5 of 5		