

NOTES:

1. MATERIAL:

CONTACT: PHOSPHOR BRONZE  
 BASE: UL 94V-0 PBT. 30%GF  
 BASE: UL 94V-0 LCP. 50%GF (ONLY FOR 10057542-1311XLF)  
 COVER: UL 94V-0 PBT. 30%GF  
 COVER: UL 94V-0 LCP. 50%GF (ONLY FOR 10057542-1311XLF)

2. PLATING:

GOLD PLATING: SEE PART NUMBER DEFINITION.  
 120u" MATTE PURE TIN IN SOLDER TAIL AREA;  
 50u" NICKEL UNDERPLATE OVER ALL SURFACES.

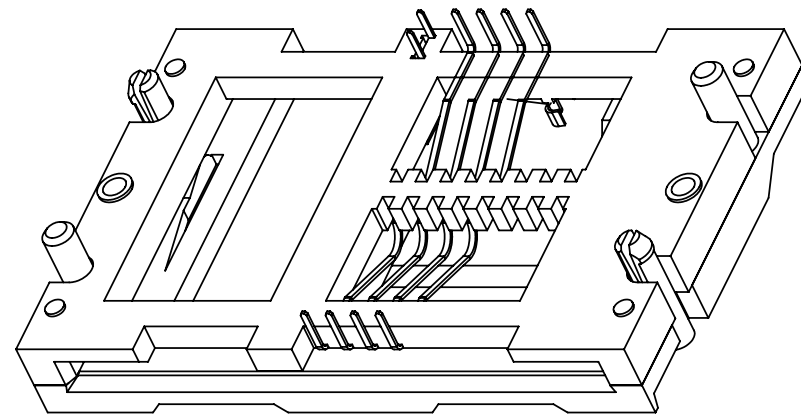
3. THIS PRODUCT MEETS EUROPEAN UNION DIRECTIVES AND OTHER COUNTRY REGULATIONS AS DESCRIBED IN GS-22-008.

4. GENERAL TOLERANCE: 0 mm TO 10 mm: ±0.15 mm  
 10 mm TO 30 mm: ±0.20 mm  
 30 mm TO 60 mm: ±0.3 mm  
 >60 mm: ±0.5 mm

5. FLATNESS CONTROL WITHIN 0.25mm MAX.

6. THE HOUSING WILL WITHSTAND EXPOSURE TO 260 °C PECK TEMPERATURE FOR 10 SECONDS  
 IN A WAVE SOLDER APPLICATION WITH A 1.6mm MINIMUM THICK CIRCUIT BOARD USE PROTECTIVE  
 ADHESIVE TAPE (KAPTON OR TEFLON) OR PROTECTIVE METALLIC DEVICES ON THE AREAS WHICH  
 ARE DIRECTLY EXPOSED TO WAVE SOLDERING AS IT IS USED IN CLASSICAL LEADED WAVE SOLDERING

7. CUSTOMER CAN FREE CHOOSE THE TWO HOLES ACCORDING TO THEIR REQUIREMENT



PART NUMBER SCHEME:  
10057542-XXXXXLF

- SENSOR TYPE:  
F: BLADE CONTACTS NORMALLY CLOSED.  
A: BLADE CONTACTS NORMALLY OPEN.
- GOLD PLATING THICKNESS:  
1: 0.4um.  
2: 0.8um.
- NUMBER OF CONTACTS:  
1: 8
- PROFILE TYPE:  
1: STANDARD PROFILE(HEIGHT: 9.0)  
2: LOW PROFILE(HEIGHT: 6.5)  
3: DIFFERENT FOOTS FOR LOW INSERT FORCE,
- COVER COLOR:  
1: BLACK.

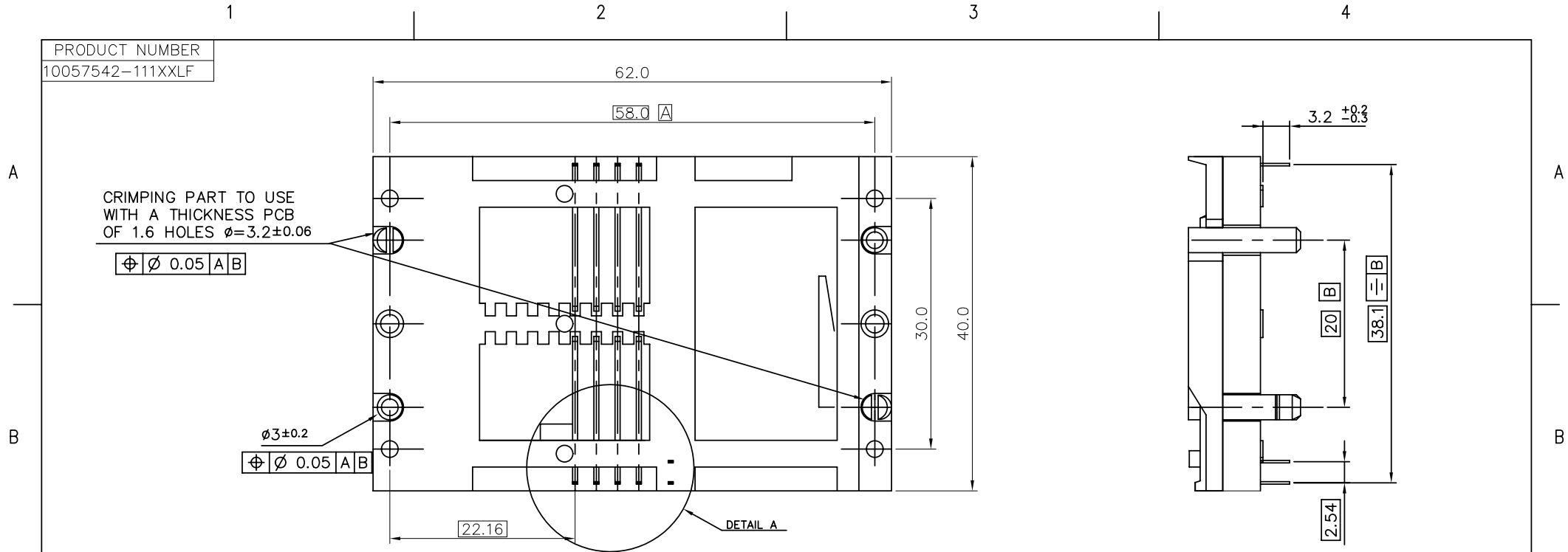


Copyright FCI.

rev	ecn no	dr	date
G	N10-0242	SH	2010-12-27
-	-	-	-
-	-	-	-
-	-	-	-
-	-	-	-
-	-	-	-

www.fciconnect.com		surface 6.4 ISO 1302	tolerance std ISO 406 ISO 1101	projection ISO 1101	MM
		TOLERANCES UNLESS OTHERWISE SPECIFIED			
Dr	AILEI ZHANG	06/22/05	ANGULAR	0.X	±0.3
Eng	AILEI ZHANG	06/22/05	LINEAR	0.XX	±0.15
Chr	AILEI ZHANG	06/22/05	0° ±2°	0.XXX	±0.05
Appr	JASON ZHOU	06/22/05	Product family	size	A4
				ECN	N10-0242
				Spec ref	
FCI		title		dwg no	Rev.
		SMART CARD CONNECTORS		10057542	G
		catalog no	CUSTOMER	sheet 1 of 4	

PRODUCT NUMBER  
10057542-111XXLF



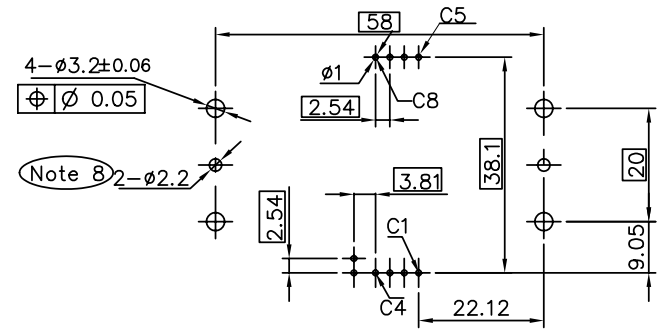
CRIMPING PART TO USE WITH A THICKNESS PCB OF 1.6 HOLES  $\phi=3.2\pm 0.06$

$\phi \pm 0.05$  A B

$\phi 3\pm 0.2$   
 $\phi \pm 0.05$  A B

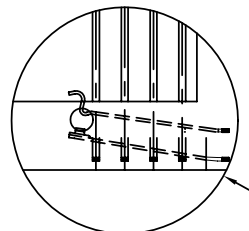
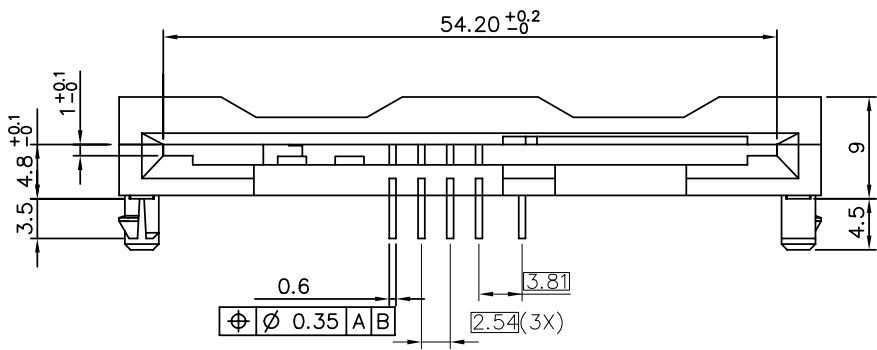
DETAIL A

RECOMMENDED PCB FOOTPRINT



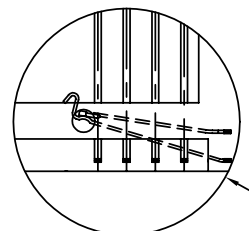
SCALE 2/1

Copyright FCI



DETAIL A

SENSOR TYPE:  
A: BLADE CONTACTS NORMALLY OPEN.



DETAIL A

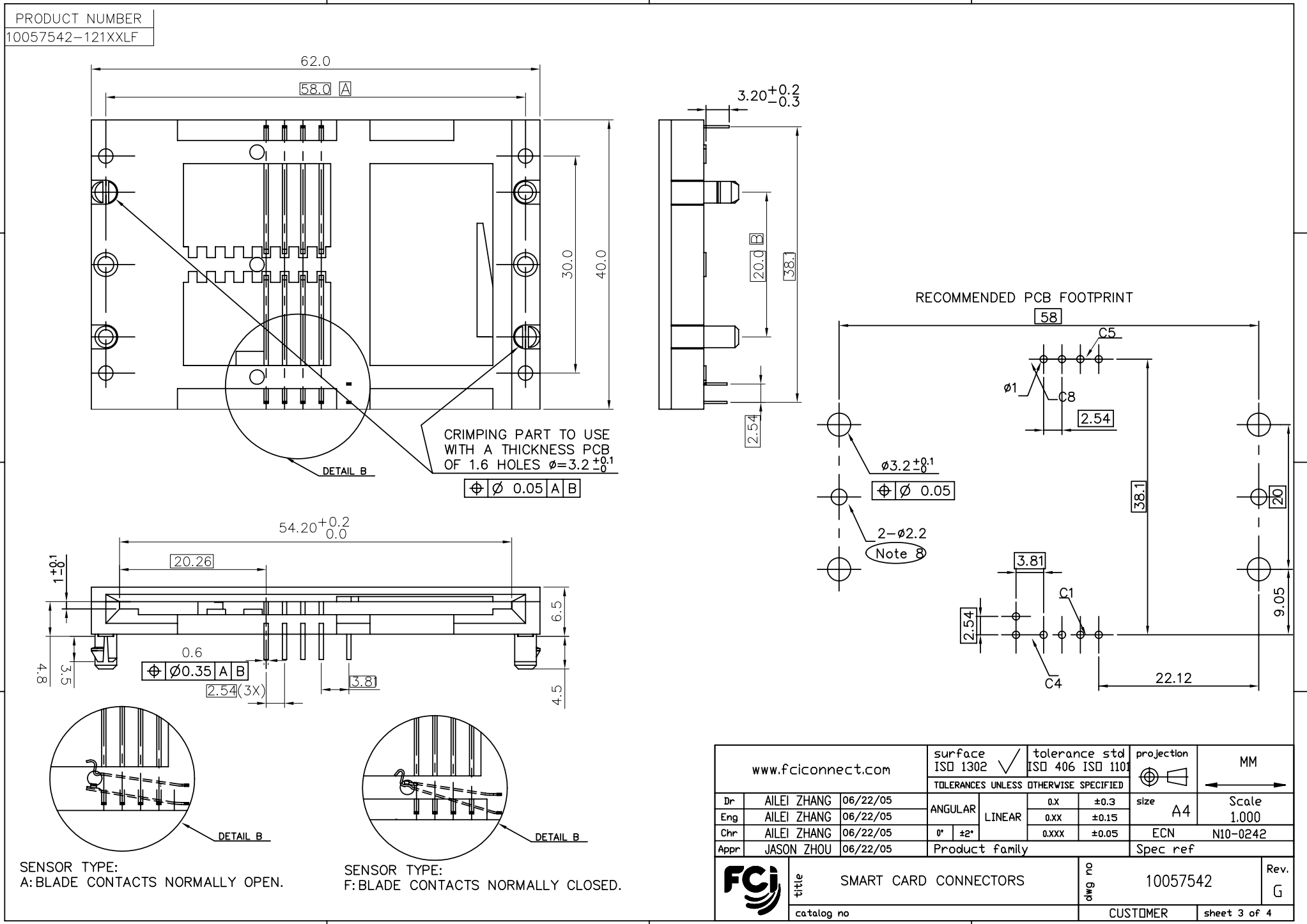
SENSOR TYPE:  
F: BLADE CONTACTS NORMALLY CLOSED.

www.fciconnect.com			surface ISO 1302	tolerance std ISO 406 ISO 1101	projection MM
			TOLERANCES UNLESS OTHERWISE SPECIFIED		
Dr	AILEI ZHANG	06/22/05	ANGULAR	0.X ± 0.3	size A4
Eng	AILEI ZHANG	06/22/05	LINEAR	0.XX ± 0.15	Scale 1.000
Chr	AILEI ZHANG	06/22/05	0° ± 2°	0.XXX ± 0.05	ECN N10-0242
Appr	JASON ZHOU	06/22/05	Product family		Spec ref
FCI			title SMART CARD CONNECTORS		dwg no 10057542
			catalog no		Rev. G
			CUSTOMER		sheet 2 of 4

REV F - 2008-04-17



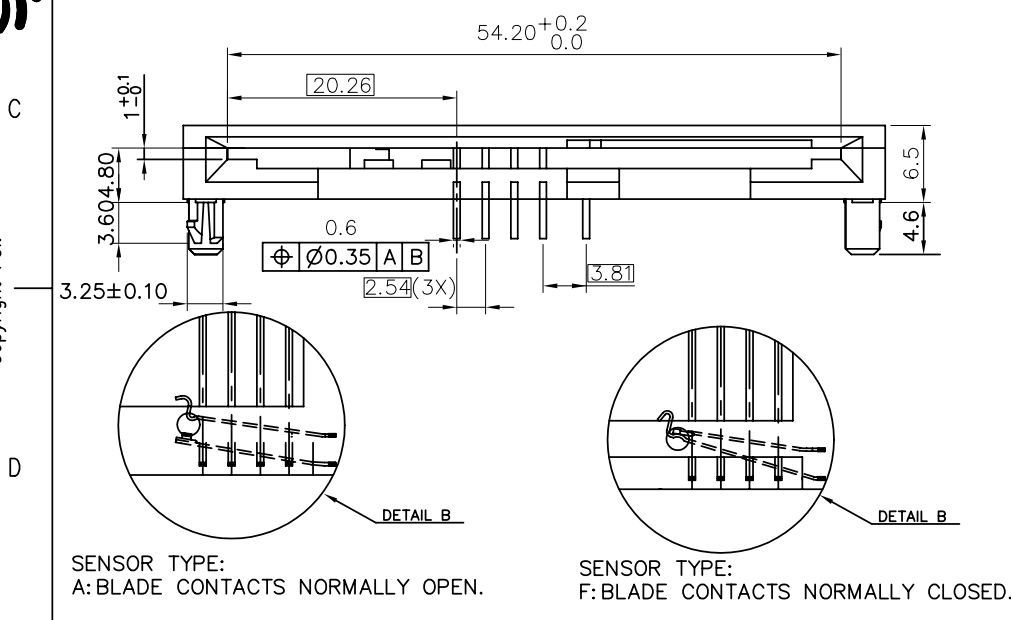
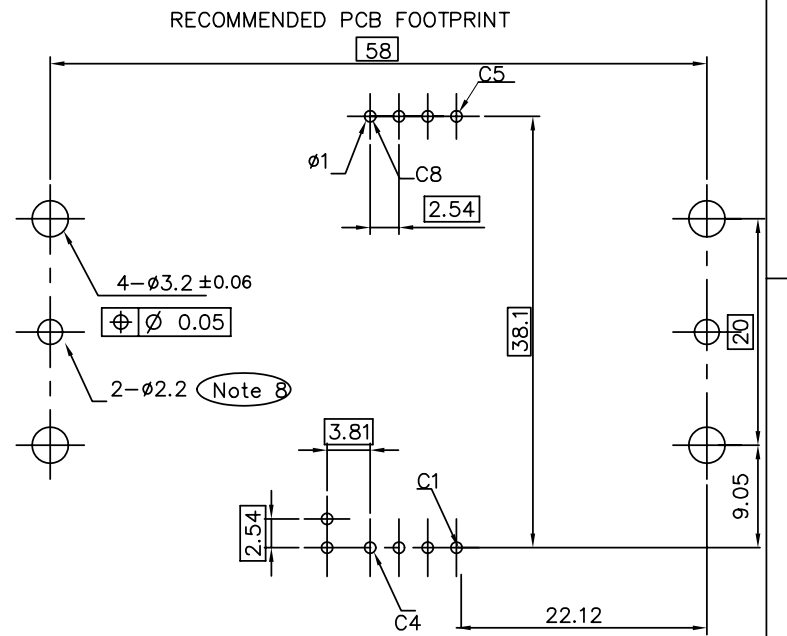
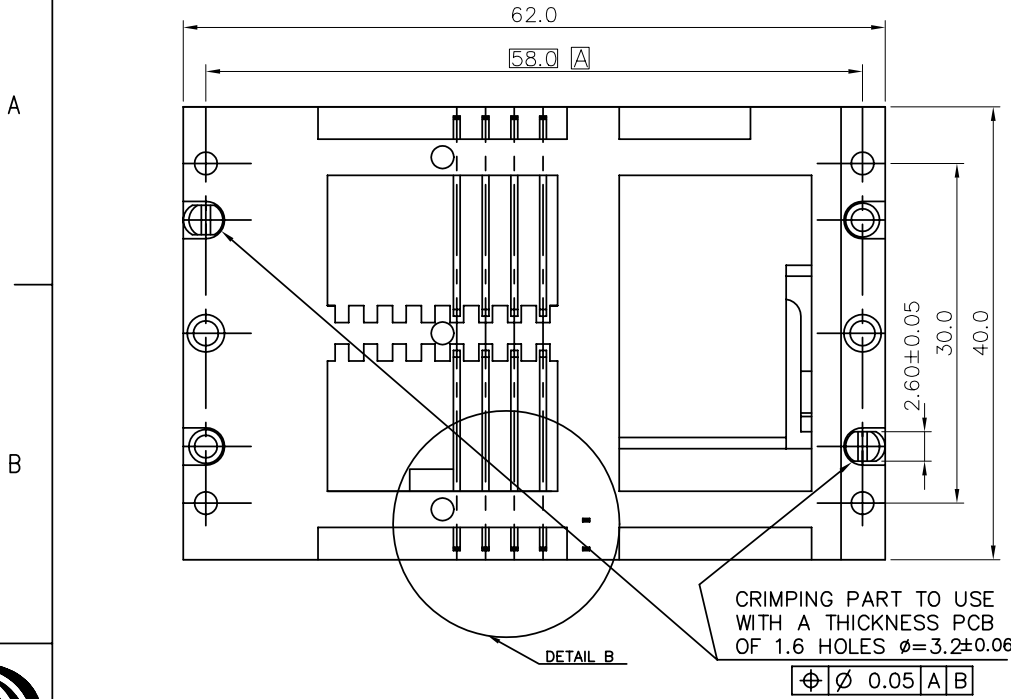
Copyright FCI.



REV F - 2008-04-17

www.fciconnect.com			surface ISO 1302	tolerance std ISO 406 ISO 1101	projection MM	
			TOLERANCES UNLESS OTHERWISE SPECIFIED		← →	
Dr	AILEI ZHANG	06/22/05	ANGULAR	0.X	±0.3	
Eng	AILEI ZHANG	06/22/05		LINEAR	0.XX	±0.15
Chr	AILEI ZHANG	06/22/05		0°	±2°	0.XXX
Appr	JASON ZHOU	06/22/05	Product family		Spec ref	
FCI			title SMART CARD CONNECTORS		dwg no 10057542	
catalog no			CUSTOMER		Rev. G	
			sheet 3 of 4			

PRODUCT NUMBER  
10057542-131XXLF



www.fciconnect.com			surface ISO 1302	tolerance std ISO 406 ISO 1101	projection MM		
			TOLERANCES UNLESS OTHERWISE SPECIFIED				
Dr	AILEI ZHANG	06/22/05	ANGULAR	0.X	±0.3	size	A4
Eng	AILEI ZHANG	06/22/05	LINEAR	0.XX	±0.15	Scale	1.000
Chr	AILEI ZHANG	06/22/05	0° ±2°	0.XXX	±0.05	ECN	N10-0242
Appr	JASON ZHOU	06/22/05	Product family		Spec ref		
FCI			title SMART CARD CONNECTORS		dwg no 10057542		Rev. G
			catalog no		CUSTOMER		sheet 4 of 4



Copyright FCI

REV F - 2008-04-17