

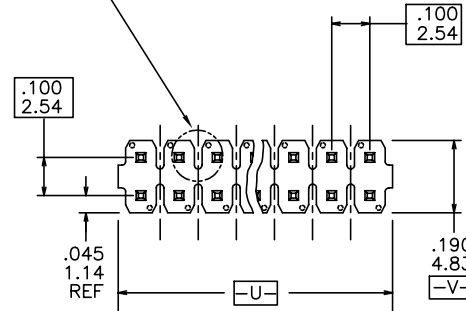
PRODUCT NUMBER

XXXXXXXX-YYY HP LF

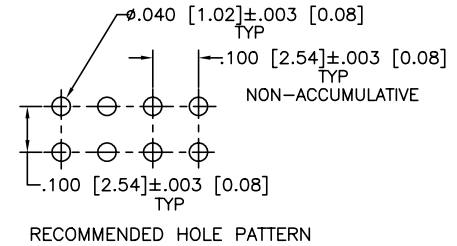
- LEAD FREE OPTION
- SPECIAL OPTIONS SEE NOTE 9
- HIGH TEMPERATURE PLASTIC SEE NOTE 1
- NO OF POSITIONS SEE NOTE 3
- PIN PLATING SEE SHEET 2
- BASE PART NO.

BERGSTRIPT™ HEADER

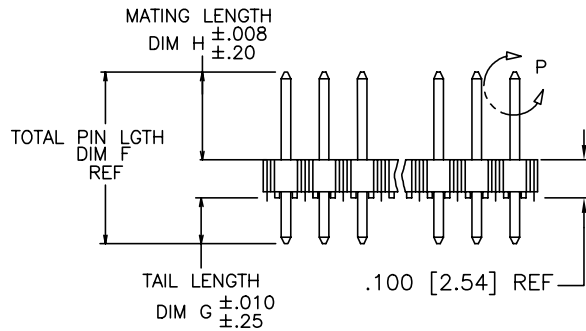
NOTE 7



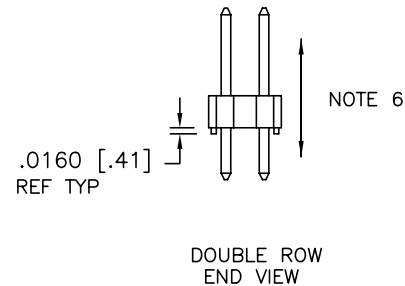
DOUBLE ROW TOP VIEW



RECOMMENDED HOLE PATTERN



DOUBLE ROW SIDE VIEW



DOUBLE ROW END VIEW

NOTE 8

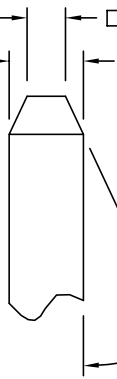


NOTE 5

⌀ .020/0.51 (M) U (M) V (S)

NOTE 4

□ .025 [0.64] ±.001 [0.03] TYP



DETAIL P
SCALE 5:1
TYP BOTH ENDS

mat'l. code		surface ISO 1302 ✓	tolerance ISO 406 ISO 1101	projection ISO 1101	product family BERGSTIK
ltr	ecn	nodr	date	tolerances unless otherwise specified	
A	V04-1079	TAB	11/4/04	angles	.XX±.01/.3
B	M05-0212	MHT	10/7/05	linea	.XXX±.005/.13
C	M06-0003	MHT	1/03/05	0°±2°	.xxxx±.0020/.051
D	M06-0271	AGS	7/14/06	chr	T. BRUNGARD 11/4/04
E	BLX-H-16986	ZK	02/19/14	engr	H. SUNDY 11/4/04
				chr	H. SUNDY 11/4/04
				appd	H. SUNDY 11/4/04
sheet index	revision	E	E		
	sheet	1	2		



title
BERGSTRIPT™ HDR. D/R
.100/2.54cc STRAIGHT

dwg no 10046593 sheet 1 of 2 size A3

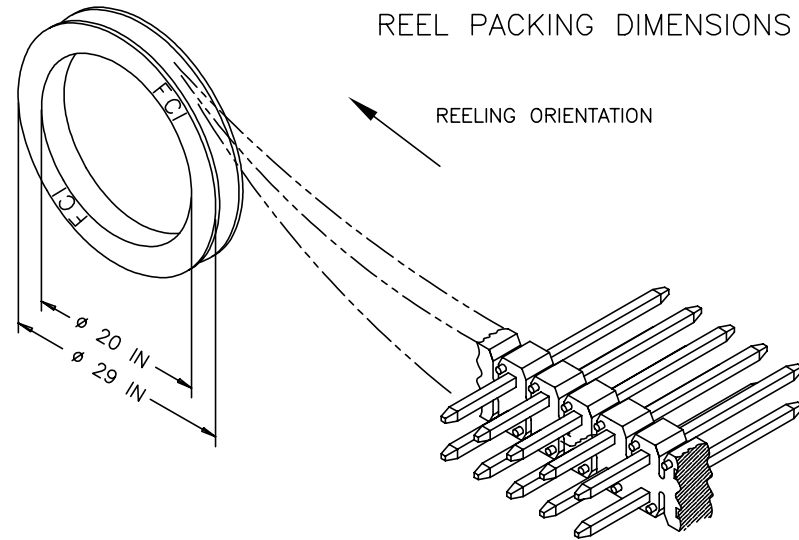
type Product Customer Drawing

PRODUCT NUMBER	TOT. PIN LGTH.		TAIL LENGTH		MATING LENGTH		PACKAGING
	DIM F	DIM F	DIM G	DIM G	DIM H	DIM H	
	ENGLISH	METRIC	ENGLISH	METRIC	ENGLISH	METRIC	
10046593-YYYH	.695	17.65	.090	2.29	.505	12.83	REELS

PIN PLATING CODES:	
10046593-4XX	120u"/3.05u MIN 93/7 SnPb OVER 50u"/1.27u MIN Ni
10046593-4XXLF	100u"/2.54u MIN Sn OVER 50u"/1.27u MIN Ni

NOTES

- ① BODY MATERIAL : MANUFACTURER'S OPTION OF LCP OR PCT, GLASS FIBER REINFORCED, FLAME RETARDENT PER UL-94V-0. COLOR: BLACK
FOR HIGH-TEMPERATURE APPLICATIONS, SPECIFY AN "H" AT THE END OF THE PART NUMBER, AND PCT WILL BE SUPPLIED. BERGSTRIPTM PRODUCED WITH HIGH TEMPERATURE LCP THERMOPLASTIC, FLAME RETARDENT PER UL-94V-0. COLOR: BLACK
- ② PIN MATERIAL : BRASS.
- ③ -X00H INDICATES BERGSTRIPTM PRODUCT. SEE PAGE 1 FOR SPECIAL GEOMETRY OF THIS CONTINUOUS STRIP PRODUCT. AUTOMATED REELS WILL CONTAIN 20,000 PINS. SEE SPECIFIC PART NUMBERS FOR AVAILABILITY.
- ④ MEASURED WITH PART IN RESTRAINED CONDITION.
- ⑤ TWO SIDES OF PIN TIPS NOT PLATED. TYPICAL BOTH ENDS.
- ⑥ 2LBS/0.9KG MIN PIN RETENTION IN EITHER DIRECTION.
- ⑦ NOTCH CONFIGURATION WILL VARY PER VENDOR'S DISCRETION.
- ⑧ INDICATED SURFACES MUST BE PARALLEL TO DATUM -X- WITHIN ±4°
- ⑨ BERGSTRIPTM PART NUMBERS FOLLOWED BY BY A "B" ARE BULK PRICED.
10. POSITIONS PER ROW 37 TO 50 CAN BE PRODUCED, BUT FLATNESS AND CURVATURE MAY NOT BE HELD AS CLOSE AS 36 POSITIONS. (MAKE FROM BERGSTRIPTM ONLY)
11. THIS <!\> INDICATE CRITICAL DIMENSION FOR THIS DRAWING.



mat'l. code	surface ISO 1302 ✓	tolerance ISO 406 ISO 1101	projection INCH/MM	product family BERGSTIK
ltr ecn nodr date	tolerances unless otherwise specified		title	
E	angles 0°±2'	line .XX±.01/.3 .XXX±.005/.13 .xxxx±.0020/.051	scale 1:1	BERGSTRIPTM HDR. D/R .100/2.54cc STRAIGHT
dr	T. BRUNGARD	11/4/04	FCJ	dwg no
enr	H. SUNDY	11/4/04		sheet 2 of 2
chr	H. SUNDY	11/4/04		size A3
app	H. SUNDY	11/4/04		type Product Customer Drawing
sheet index	revision sheet			