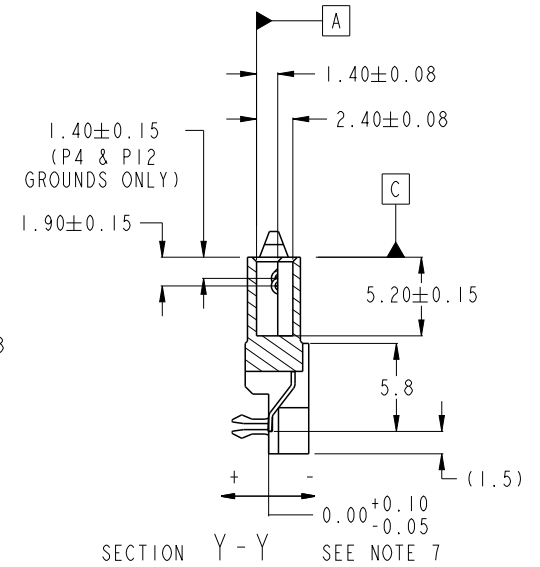
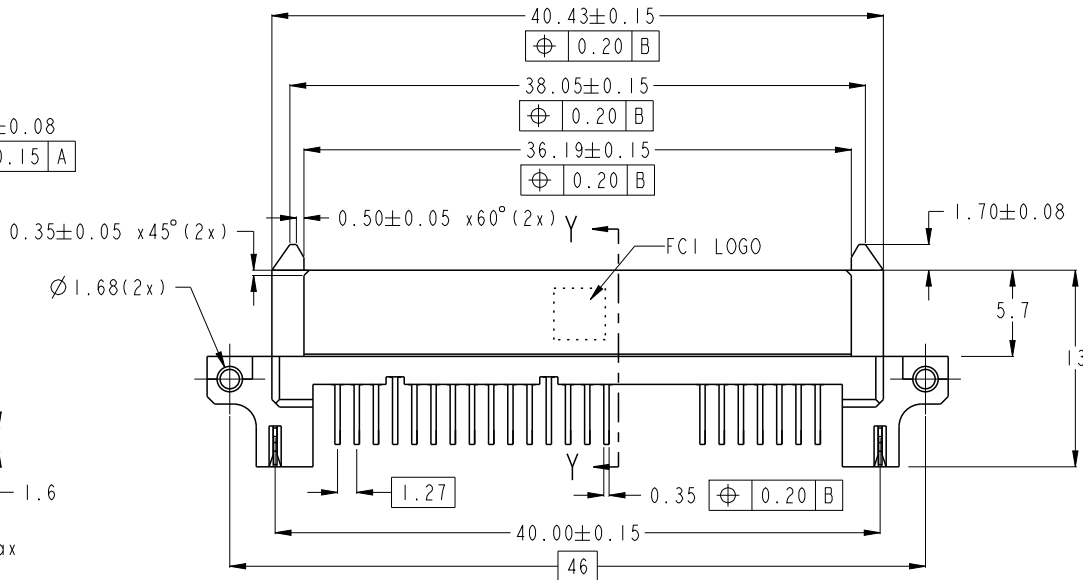
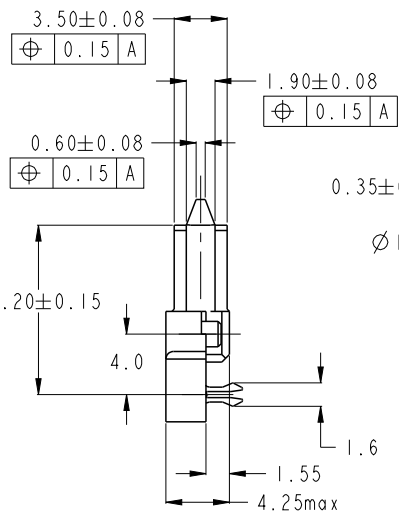
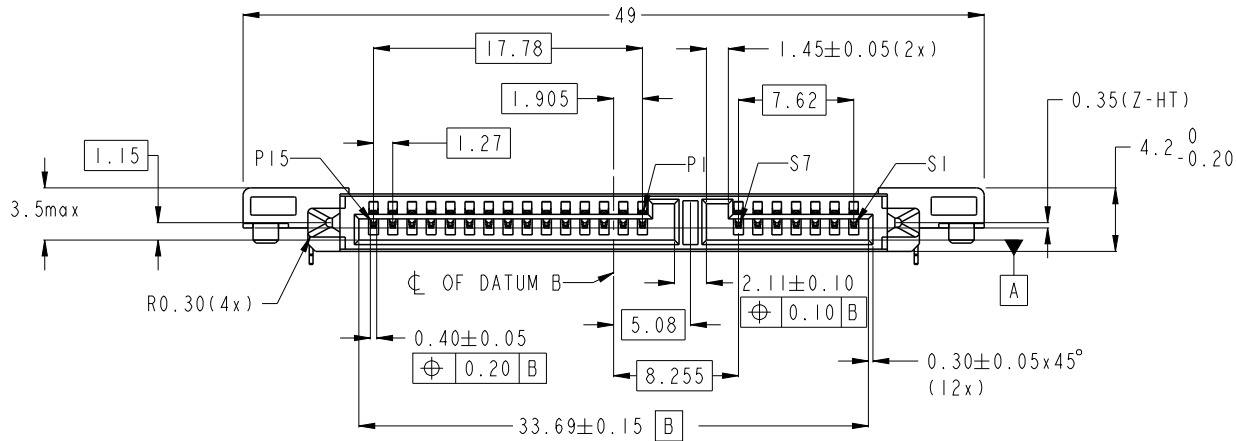


PRODUCT NO.

SEE TABLE



|   |        |                                    |                             |                        |                        |                |                 |                           |  |                                      |  |
|---|--------|------------------------------------|-----------------------------|------------------------|------------------------|----------------|-----------------|---------------------------|--|--------------------------------------|--|
| spec ref                                    |        | dr <a href="#">w wcadmin</a>       |                             | 2006/02/16             |                        | projection     |                 | size A4                   |  | scale 1:1                            |  |
| tolerance std                               |        | eng <a href="#">Koon-Poh Tay</a>   |                             | 2015/10/07             |                        |                |                 |                           |  | ecn no <a href="#">ELX-S-22098-1</a> |  |
| ASME Y14.5                                  |        | chr -                              |                             | -                      |                        |                |                 |                           |  |                                      |  |
| TOLERANCES UNLESS OTHERWISE SPECIFIED       |        | appr <a href="#">Chen-Hong Tan</a> |                             | 2015/10/20             |                        | product family |                 | rel level <b>Released</b> |  | D                                    |  |
| surface <input checked="" type="checkbox"/> | linear | 0.X                                | ±0.25                       |                        | title S-ATA RECEPTACLE |                | dwg no 10031569 | rev <b>M</b>              |  |                                      |  |
|   |        | 0.XX                               | ±0.20                       |                        | TOP MOUNT R/A SMT ASSY |                |                 |                           |  |                                      |  |
|   |        | 0.XXX                              | ±0.10                       |                        | cat. no.               |                |                 |                           |  |                                      |  |
| angular                                     | 0°     | ±°                                 | <a href="#">www.fci.com</a> | Product - Customer Drw |                        | sheet 1 of 2   |                 |                           |  |                                      |  |

ProjE File - REV C - 2009-06-09

| PRODUCT NO.               | RECOMMENDED P.C.B. THICKNESS | PLATING | PACKAGING   | REMARKS             |
|---------------------------|------------------------------|---------|-------------|---------------------|
| 10031569-001LF            | 1.6mm                        | NOTE 2  | TRAY        |                     |
| 10031569-501LF            |                              | NOTE 8  | TRAY        |                     |
| 10031569-501TRLF          |                              | NOTE 8  | TAPE & REEL |                     |
| 10031569-002LF            | -                            | NOTE 2  | TRAY        |                     |
| 10031569-002TRLF          | -                            | NOTE 2  | TAPE & REEL |                     |
| 10031569-502LF            | -                            | NOTE 8  | TRAY        |                     |
| $\Delta$ 10031569-502TRLF | -                            | NOTE 8  | TAPE & REEL |                     |
| 10031569-502CLF           | -                            | NOTE 8  | TRAY        | WITH SUPPORTING CAP |
| 10031569-502C-TRLF        | -                            | NOTE 8  | TAPE & REEL | WITH SUPPORTING CAP |
| 10031569-012LF            | -                            | NOTE 2  | TRAY        |                     |
| 10031569-012TRLF          | -                            | NOTE 2  | TAPE & REEL |                     |

|  |  |
|--|--|
| 10031569-001LF<br>10031569-501LF<br>10031569-501TRLF                                 |  |
| 10031569-002LF<br>10031569-002TRLF<br>10031569-502LF<br>10031569-502TRLF<br>$\Delta$ |  |
| 10031569-502CLF<br>10031569-502C-TRLF  |  |
| 10031569-012LF<br>10031569-012TRLF   |  |

NOTES:-

1. MATERIAL:

- 1) HOUSING : HIGH TEMP. THERMOPLASTIC, UL 94V-0  
COLOR : BLACK
- 2) TERMINAL : COPPER ALLOY
- 3) HOLD DOWN : COPPER ALLOY

2. FINISH:

- 1) TERMINAL : 30u" Au PLATING (CONTACT POINT) OVER 50u" MIN NICKEL
- 2) SOLDER TAIL : 100u" MIN TIN OVER 50u" NICKEL
- 3) HOLD DOWN : 100u" MIN TIN OVER 50u" NICKEL

3. THE STANDARD PACKAGING IS IN TRAY.

4. THE HOUSING WILL WITHSTAND EXPOSURE TO 260°C PEAK TEMPERATURE FOR 10 SECONDS IN A CONVECTION, INFRA-RED OR VAPOR PHASE REFLOW OVEN.

5. THIS PRODUCT MEETS EUROPEAN UNION DIRECTIVES AND OTHER COUNTRY REGULATIONS AS DESCRIBED IN GS-47-0004

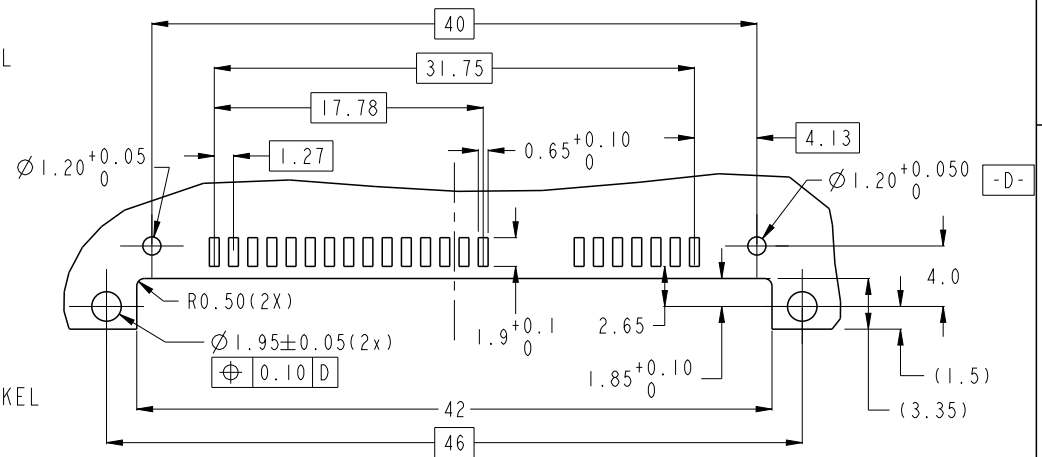
6. PART NUMBERS ENDING IN "LF" ARE MEANT FOR LEAD-FREE IDENTIFICATION. P/N XXXXXXXX-XXXLF IS EQUIVALENT TO PREVIOUS P/N XXXXXXXX-XXX

7. ALL SOLDER TAIL TO BE WITHIN 0.12mm MAX. COPLANARITY.

8. FINISH:

- 1) TERMINAL : 15u" Au PLATING (CONTACT POINT) OVER 50u" MIN NICKEL
- 2) SOLDER TAIL : 100u" MIN TIN OVER 50u" NICKEL
- 3) HOLD DOWN : 100u" MIN TIN OVER 50u" NICKEL

9. A  $\Delta$  SYMBOL WILL BE NEXT TO ANY DIMENSION, VIEW, OR NOTE WHICH HAS BEEN MODIFIED WITH THE CURRENT DRAWING REVISION.



RECOMMENDED P.C.B LAYOUT  
TOLERANCE UNLESS OTHERWISE: ±0.1

|   |  |       |              |               |                        |    |                        |    |               |     |
|---|--|-------|--------------|---------------|------------------------|----|------------------------|----|---------------|-----|
| spec ref                                    |  | dr    | wcadmin      | 2006/02/16    | projection             | MM | size                   | A4 | scale         | 1:1 |
| tolerance std                               |  | eng   | Koon-Poh Tay | 2015/10/07    |                        |    | ecn no                 |    | ELX-S-22098-1 |     |
| ASME Y14.5                                  |  | chr   | -            | -             |                        |    | rel level              |    | Released      |     |
| surface <input checked="" type="checkbox"/> |  | appr  |              | Chen-Hong Tan | product family         |    | dwg no                 |    | 10031569      |     |
| linear                                      |  | 0.X   | ±0.25        |               | title                  |    | S-ATA RECEPTACLE       |    | rev           |     |
|   |  | 0.XX  | ±0.20        |               | TOP MOUNT R/A SMT ASSY |    |                        |    | M             |     |
|   |  | 0.XXX | ±0.10        |               | cat. no.               |    | Product - Customer Drw |    | sheet 2 of 2  |     |
| angular                                     |  | 0°    | ±°           |               | www.fci.com            |    |                        |    |               |     |