

1

2

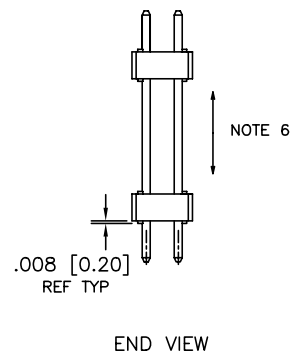
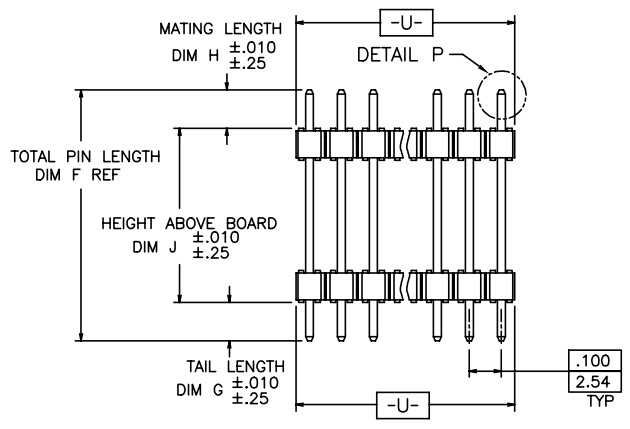
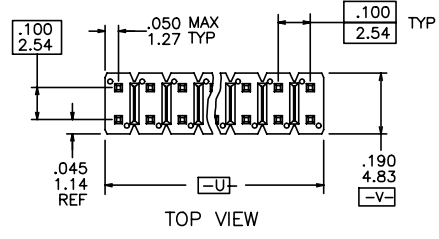
3

4

PRODUCT NUMBER

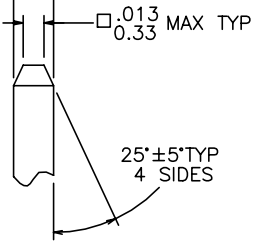
XXXXX-YYYHTLF

- LEAD FREE OPTION  
SEE NOTE 1
- TUBE PACKAGING OPTION  
SEE NOTE 1
- HIGH TEMPERATURE PLASTIC  
SEE NOTE 1
- NO OF POSITIONS  
SEE NOTE 1
- PIN PLATING  
SEE SHEET 2
- BASE PART NO.



⊕ ∅ .020/.51 (M) U (M) V ⊕

NOTE 4  
□ .025±.001  
0.64±.03 TYP



Copyright FCI.

www.fciconnect.com		surface 6.4 ISO 1302	tolerance std ISO 406 ISO 1101	projection ISO 1101	INCH/MM ↔
TOLERANCES UNLESS OTHERWISE SPECIFIED		ANGULAR	LINEAR	size A4	Scale 1.000
Dr	T. BREWBAKER	4/10/95	0.X	±0.3	ECN
Eng	T. HANNA	4/10/95	0.XX	±0.15	
Chr	T. HANNA	4/10/95	0.XXX	±0.05	
Appr	T. HANNA	4/10/95	Product family BERGSTIK		Spec ref
FCI		title BERGSTIK® II HDR, D/R .100 R.R. TRACK SELF-RET		dwg no 86823	Rev. BH
catalog no		CUSTOMER		sheet 1 of 5	

rev	ecn no	dr	date
BH	ELX-N-16105	ZK	2013-10-22
BC	N05-0027	MHT	2/14/05
BD	M06-0270	AEA	7/17/06
BE	M06-0346	MHT	9/4/06
BF	M08-0291	MHT	10/08/08
BG	N11-0118	J.Z	2011-04-14

REV F - 2006-04-17

1

2

3

4

PDS: Rev :BH

STATUS:Released

Printed: Oct 29, 2013

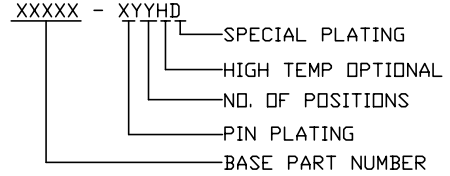
PIN PLATING CODES:

XXXX-1YY	30u"/0.76u MIN (SEE NOTE 16) OVER 50u"/1.27u MIN Ni
XXXX-2YY	15u"/0.38u MIN (SEE NOTE 16) OVER 50u"/1.27u MIN Ni
XXXX-3YY	50u"/1.27u MIN (SEE NOTE 16) OVER 50u"/1.27u MIN Ni
XXXX-4YY	100u"/2.54u MIN Sn OVER 50u"/1.27u MIN Ni (SEE NOTE 17)
XXXX-4YYHLF	
XXXX-5YY	15u"/0.38u MIN (SEE NOTE 16) OVER 50u"/1.27u MIN Ni
XXXX-6YY	30u"/0.76u MIN (SEE NOTE 16) OVER 50u"/1.27u MIN Ni
XXXX-7YY	30u"/0.76u MIN (SEE NOTE 16) OVER 50u"/1.27u MIN Ni
XXXX-8YY	15u"/0.38u MIN (SEE NOTE 16) OVER 50u"/1.27u MIN Ni
XXXX-9YY	15u"/0.38u MIN (SEE NOTE 16) OVER 50u"/1.27u MIN Ni
XXXX-0YY	30u"/0.76u MIN (SEE NOTE 16) OVER 50u"/1.27u MIN Ni

NOTES

- ① PART NUMBER OPTIONS:  
PIN PLATING CODES (SEE ABOVE)  
HIGH TEMP. MATERIAL:  
FOR HIGH-TEMPERATURE APPLICATIONS, SPECIFY AN "H" AT THE END OF THE PART NUMBER.  
NUMBER OF POSITIONS :  
ANY NUMBER OF POSITIONS FROM 4 (2X2) THRU 72 (2X36).  
PACKAGING :  
NO INDICATOR IS STANDARD PACKAGING IN POLY BAGS.  
PACKAGED IN POLYBAGS.  
EIGHT DIGIT PART NUMBERS FOLLOWED BY A "T" ARE PACKAGED IN TUBES. SEE SPECIFIC PART NUMBERS FOR AVAILABILITY.  
LEAD FREE :  
ADD LF SUFFIX AT THE END OF PART NUMBER FOR LEAD FREE OPTION, NOT AVAILABLE FOR -5YY,-5YYH, -6YY & -6YYH
- ② BODY MATERIAL :  
BERGSTIK: MANUFACTURER'S OPTION OF NYLON OR PCT, GLASS FIBER REINFORCED, FLAME RETARDENT PER UL-94V-0.  
COLOR : BLACK OR  
MINERAL FILLED LCP, FLAME RETARDENT PER UL-94V-0.  
COLOR : BLACK  
PART NUMBERS WITH "H" SUFFIX WILL WITHSTAND EXPOSURE TO 260° C PEAK TEMPERATURE FOR 20 SECONDS IN WAVE SOLDER, INFRA-RED OR VAPOR PHASE SOLDER PROCESS.  
PART NUMBERS WITHOUT "H" SUFFIX WILL WITHSTAND EXPOSURE TO 260° C PEAK TEMPERATURE FOR WAVE SOLDER PROCESS.
- ③ PIN MATERIAL : PHOS-BRONZE.
- ④ MEASURED WITH PART IN RESTRAINED CONDITION.  
5. TWO SIDES OF PIN TIPS NOT PLATED. TYPICAL BOTH ENDS.
- ⑥ 2LBS/0.9KG MIN PIN RETENTION IN EITHER DIRECTION.
- ⑦ ALL PARTS ±.010/±.25 TOL. ON DIM J EXCEPT P/N 87826 WHICH ±.005/.13 APPLIES.
- ⑧ RETENTION FEATURES ARE LOCATED AT ENDS OF PARTS AND IN APPROXIMATE CENTER OF PART ON "G" TAIL ONLY.

9. "D" SUFFIX INDICATES TIN/LEAD DIPPED PLATING OVER STANDARD PLATING ON "G" TAIL SIDE ONLY.



- SOLDER COATING SHOULD BE TIN-LEAD IN ACCORDANCE WITH MIL-P-81728. COATING SHOULD BE SMOOTH, FINE GRAINED, AND CONTINUOUS, AND FREE OF BLISTERS, PITS, NODULES OR EXCESSIVE BUILDUP, FLUX RESIDUES OR OTHER STAINS, MECHANICAL DAMAGE, UNCOATED OR DEWETTED AREAS (WITH THE EXCEPTION OF TWO TRIMMED SIDES OF PIN TIP) RESIDUAL SALTS, OR OTHER DEFECTS.
- COATING SHOULD COVER ALL OF DIMENSION "G" AT A MIN., BUT SHOULD NOT EXTEND ABOVE THE PLASTIC HOUSING.
- COATING SHOULD PASS SOLDERABILITY PER BUS-19-002 WITH PRETREATMENT.
- THERE SHOULD BE NO SIGNS OF HEAT DEFORMATION OF THE PLASTIC. PIN TO HOUSING RETENTION SHOULD BE .5 LBS. MIN.
- ⑩ RETENTION FEATURES ARE LOCATED AT POSITIONS 2, 18 AND 35 ON "G" TAIL ONLY.
- ⑪ AVAILABLE IN 72 (2x36) PINS ONLY.
- ⑫ RETENTION FEATURES ARE LOCATED ON "G" TAIL AT ENDS OF PART ONLY.
- ⑬ SECTION R-R DIMENSIONS APPLY TO SPECIFIED ENDS OF RETENTION PIN POSITIONS ONLY. SEE PRODUCT PART NUMBER FOR SINGLE OR DUAL SIDE RETENTION. LOCATED AT MANUFACTURES OPTION.
- 14. 5LB/2.3KG MAX INSERTION FORCE AND .25LB/.1KG MIN RETENTION FORCE PER RETENTIVE PIN USING .062/1.57 THICK CIRCUIT BOARDS AND RECOMMENDED HOLE PATTERN.
- ⑮ THESE PRODUCTS MEETS EUROPEAN UNION DIRECTIVES AND OTHER COUNTRY REGULATION AS DESCRIBED IN GS-22-008.
- ⑯ PLATING OPTIONS:  
PERFORMANCE PLATING WILL BE EITHER GOLD OR GXT ON POST OR TAIL, OPTIONALLY (78~295u"/2~7.5u) TIN ON TAIL.
- ⑰ "THIS PRODUCT HAS 100% TIN PLATING IN THE INTERFACE AND HAS NOT BEEN TESTED FOR WHISKER GROWTH IN ALL INTERCONNECT ENVIRONMENTS."



Copyright FCI.

www.fciconnect.com			surface ISO 1302 ✓	tolerance std ISO 406 ISO 1101	projection	INCH/MM	
			TOLERANCES UNLESS OTHERWISE SPECIFIED				
Dr	T. BREWBAKER	4/10/95	ANGULAR	LINEAR	0.X	±0.3	size A4
Eng	T. HANNA	4/10/95			0.XX	±0.15	
Chr	T. HANNA	4/10/95	0°	±2°	0.XXX	±0.05	ECN
Appr	T. HANNA	4/10/95	Product family BERGSTIK		Spec ref		
			title BERGSTIK® II HDR. D/R .100 RR TRACK SELF-RET		dwg no 86823		Rev. BH
			catalog no		CUSTOMER		sheet 2 of 5

1

2

3

4

A

B

C

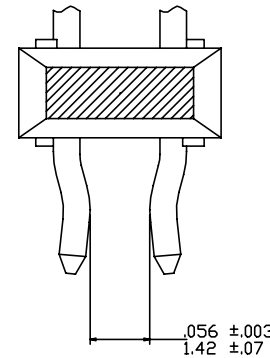
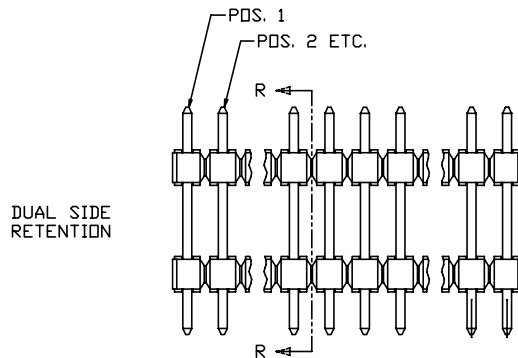
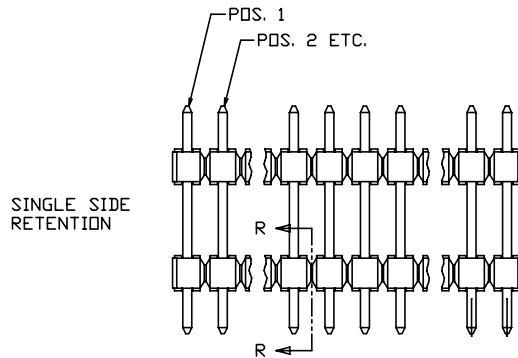
D

A

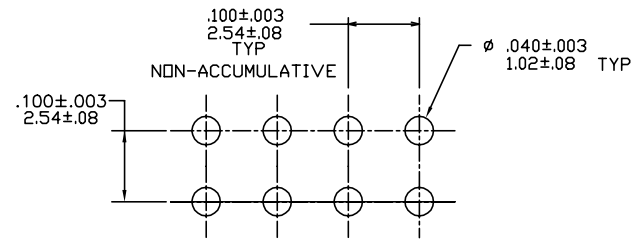
B

C

D



SECTION R-R  
NOTE 13



RECOMMENDED HOLE PATTERN



Copyright FCI.

REV F - 2006-04-17

www.fciconnect.com			surface ISO 1302 ✓	tolerance std ISO 406 ISO 1101	projection ISO 1101	INCH/MM	
			TOLERANCES UNLESS OTHERWISE SPECIFIED		size A4		Scale 1.000
Dr	T. BREWBAKER	4/10/95	ANGULAR	LINEAR	0.X	±0.3	ECN
Eng	T. HANNA	4/10/95			0.XX	±0.15	
Chr	T. HANNA	4/10/95	0°	±2°	0.XXX	±0.05	
Appr	T. HANNA	4/10/95	Product family BERGSTIK		Spec ref		
			title BERGSTIK® II HDR. D/R .100 RR TRACK SELF-RET		dwg no 86823		Rev. BH
			catalog no		CUSTOMER		sheet 3 of 5

1

2

3

4

PDS: Rev :BH

STATUS:Released

Printed: Oct 29, 2013

PRODUCT NUMBER	TOT. PIN LGTH.		TAIL LENGTH		MATING LENGTH		HEIGHT ABOVE BOARD		RETENTION	SIZES	PACKAGING	NOTES	LF OPTION
	DIM F	DIM F	DIM G	DIM G	DIM H	DIM H	DIM J	DIM J					
	ENGLISH	METRIC	ENGLISH	METRIC	ENGLISH	METRIC	ENGLISH	METRIC					
60022-XYH	1.178	29.92	0.120	3.05	0.290	7.37	0.768	19.51	NOTE 8	NOTE 1	POLY BAGS	-	NOTE 1,15
71259-XYH	0.740	18.80	0.120	3.05	0.230	5.84	0.390	9.91	NOTE 8	NOTE 1	POLY BAGS	-	OB
71260-XYH	0.965	24.51	0.120	3.05	0.395	10.03	0.450	11.43	NOTE 8	NOTE 1	POLY BAGS	-	OB
71278-XYH	0.574	14.58	0.120	3.05	0.230	5.84	0.224	5.69	NOTE 8	NOTE 1	POLY BAGS	-	OB
71733-XYH	0.920	23.37	0.120	3.05	0.200	5.08	0.600	15.24	NOTE 8	NOTE 1	POLY BAGS	-	OB
71794-XYH	0.780	19.81	0.100	2.54	0.230	5.84	0.450	11.43	NOTE 8	NOTE 1	POLY BAGS/TUBES	-	OB
72249-XYH	1.120	28.45	0.120	3.05	0.500	12.70	0.500	12.70	NOTE 8	NOTE 1	POLY BAGS	-	OB
72371-XYH	1.262	32.05	0.120	3.05	0.315	8.00	0.827	21.01	NOTE 8	NOTE 1	POLY BAGS	-	OB
72520-XYH	1.000	25.40	0.120	3.05	0.400	10.16	0.480	12.19	NOTE 8	NOTE 1	POLY BAGS	-	OB
74373-XYH	0.740	18.80	0.120	3.05	0.180	4.57	0.440	11.18	NOTE 8	NOTE 1	POLY BAGS	-	OB
74808-XYH	0.630	16.00	0.120	3.05	0.225	5.72	0.285	7.24	NOTE 8	NOTE 1	POLY BAGS	-	OB
84736-XYH	1.030	26.16	0.110	2.79	0.120	3.05	0.800	20.32	NOTE 8	NOTE 1	POLY BAGS	-	OB
86823-XYH	0.760	19.30	0.120	3.05	0.250	6.35	0.390	9.91	NOTE 8	NOTE 1	POLY BAGS	-	OB
87048-XYH	1.340	34.04	0.120	3.05	0.295	7.49	0.925	23.50	NOTE 8	NOTE 1	POLY BAGS	-	OB
87432-XYH	U N A V A I L A B L E												
87450-XYH	0.840	21.34	0.120	3.05	0.120	3.05	0.600	15.24	NOTE 8	NOTE 1	POLY BAGS	-	OB
87451-XYH	0.990	25.15	0.120	3.05	0.120	3.05	0.750	19.05	NOTE 8	NOTE 1	POLY BAGS	-	OB
87592-XYH	0.595	15.11	0.120	3.05	0.255	6.48	0.220	5.59	NOTE 8	NOTE 1	POLY BAGS	-	OB
87826-XYH	0.585	14.86	0.120	3.05	0.230	5.84	0.235	5.97	NOTE 8	NOTE 1	POLY BAGS	NOTE 7	OB
87919-XYH	0.830	21.08	0.120	3.05	0.290	7.37	0.420	10.67	NOTE 8	NOTE 1	POLY BAGS	-	OB
88715-XYH	0.640	16.26	0.120	3.05	0.210	5.33	0.310	7.87	NOTE 8	NOTE 1	POLY BAGS	-	OB
88808-XYH	0.550	13.97	0.120	3.05	0.230	5.84	0.200	5.08	NOTE 8	NOTE 1	POLY BAGS	-	OB
89543-XYH	1.060	26.92	0.120	3.05	0.365	9.27	0.575	14.61	NOTE 8	NOTE 1	POLY BAGS	-	OB
89579-XYH	0.930	23.62	0.120	3.05	0.310	7.87	0.500	12.70	NOTE 8	NOTE 1	POLY BAGS	-	OB
89696-XYH	0.940	23.88	0.120	3.05	0.280	7.11	0.540	13.72	NOTE 8	NOTE 1	POLY BAGS	-	OB
91886-X72	0.829	21.06	0.120	3.05	0.197	5.00	0.512	13.00	NOTE 10	NOTE 11	POLY BAGS	-	OB
92028-XYH	1.183	30.05	0.120	3.05	0.373	9.47	0.690	17.53	NOTE 8	NOTE 1	POLY BAGS	-	OB
92663-XYH	0.800	20.32	0.120	3.05	0.230	5.84	0.450	11.43	NOTE 8	NOTE 1	POLY BAGS	-	NOTE 1,15



Copyright FCI.

www.fciconnect.com			surface ISO 1302	<input checked="" type="checkbox"/>	tolerance std ISO 406 ISO 1101	projection 	INCH/MM
TOLERANCES UNLESS OTHERWISE SPECIFIED			ANGULAR	LINEAR	0.X ±0.3	size A4	Scale 1.000
Dr	T. BREWBAKER	4/10/95	0°	±2°	0.XX ±0.15	ECN	
Eng	T. HANNA	4/10/95			0.XXX ±0.05	Spec ref	
Chr	T. HANNA	4/10/95					
Appr	T. HANNA	4/10/95	Product family		BERGSTIK		
			title BERGSTIK® II HDR. D/R .100 RR TRACK SELF-RET			dwg no 86823	Rev. BH
			catalog no			CUSTOMER	sheet 4 of 5

1

2

3

4

PRODUCT NUMBER	TOT. PIN LGTH.		TAIL LENGTH		MATING LENGTH		HEIGHT ABOVE BOARD		RETENTION	SIZES	PACKAGING	NOTES	LF OPTION
	DIM F	DIM F	DIM G	DIM G	DIM H	DIM H	DIM J	DIM J					
	ENGLISH	METRIC	ENGLISH	METRIC	ENGLISH	METRIC	ENGLISH	METRIC					
93968-XYH	0.813	20.65	0.120	3.05	0.318	8.08	0.375	9.53	NOTE 8	NOTE 1	POLY BAGS		NOTE 1,15
93975-XYH	1.365	34.67	0.120	3.05	0.330	8.38	0.915	23.24	NOTE 12	NOTE 1	POLY BAGS		OB
93978-XYH	1.015	25.78	0.085	2.16	0.230	5.84	0.700	17.78	NOTE 8	NOTE 1	POLY BAGS		OB
94536-XYH	1.290	32.77	0.120	3.05	0.255	6.48	0.915	23.24	NOTE 12	NOTE 1	POLY BAGS		OB
94618-XYH	0.820	20.83	0.120	3.05	0.400	10.16	0.300	7.62	NOTE 8	NOTE 1	POLY BAGS		OB
94622-XYH	0.700	17.78	0.120	3.05	0.330	8.38	0.250	6.35	NOTE 8	NOTE 1	POLY BAGS		OB
95034-XYH	1.265	32.13	0.120	3.05	0.395	10.03	0.750	19.05	NOTE 8	NOTE 1	POLY BAGS		OB
95090-XYH	1.040	26.42	0.120	3.05	0.255	6.48	0.665	16.89	NOTE 8	NOTE 1	POLY BAGS		OB
95606-XYH	1.115	28.32	0.120	3.05	0.395	10.03	0.600	15.24	NOTE 8	NOTE 1	POLY BAGS		OB
95639-XYH	0.950	24.13	0.120	3.05	0.230	5.84	0.600	15.24	NOTE 12	NOTE 1	POLY BAGS		OB
95708-XYH	0.715	18.16	0.120	3.05	0.395	10.03	0.200	5.08	NOTE 8	NOTE 1	POLY BAGS		OB
95778-XYH	1.410	35.81	0.120	3.05	0.230	5.84	1.060	26.92	NOTE 8	NOTE 1	POLY BAGS		OB
95779-XYH	0.660	16.76	0.120	3.05	0.230	5.84	0.310	7.87	NOTE 8	NOTE 1	POLY BAGS		OB
98038-XYH	1.430	36.32	0.100	2.54	0.330	8.38	1.000	25.40	NOTE 8	NOTE 1	POLY BAGS		OB
10004337-XYH	1.000	25.4	0.120	3.05	0.289	7.34	0.591	15.01	NOTE 8	NOTE 1	POLY BAGS	-	NOTE 1,15

A

A

B

B



C

C

Copyright FCI.

D

D

www.fciconnect.com			surface ISO 1302	<input checked="" type="checkbox"/>	tolerance std ISO 406 ISO 1101	projection 	INCH/MM
			TOLERANCES UNLESS OTHERWISE SPECIFIED				
Dr	T. BREWBAKER	4/10/95	ANGULAR	LINEAR	0.X	±0.3	size A4
Eng	T. HANNA	4/10/95			0.XX	±0.15	Scale 1.000
Chr	T. HANNA	4/10/95	0°	±2°	0.XXX	±0.05	ECN
Appr	T. HANNA	4/10/95	Product family		BERGSTIK	Spec ref	
			title			BERGSTIK® II HDR. D/R	
						.100 RR TRACK SELF-RET	
			catalog no			86823	
						Rev. BH	
			CUSTOMER			sheet 5 of 5	

1

2

3

4