

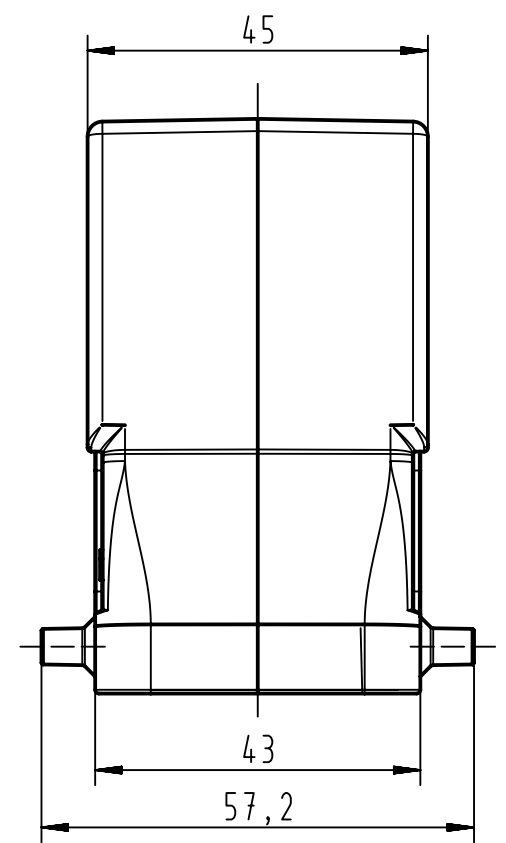
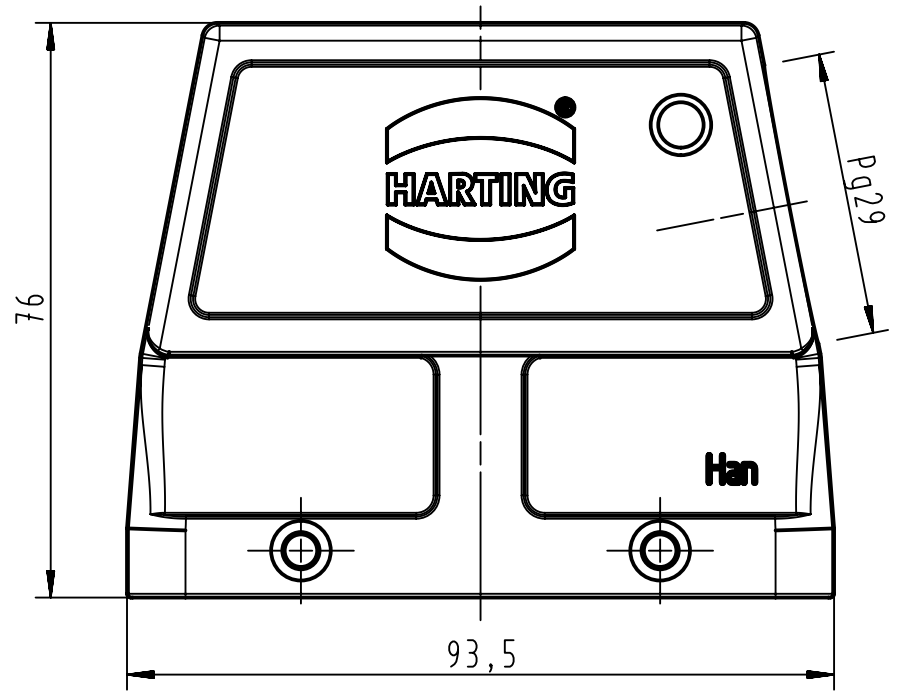
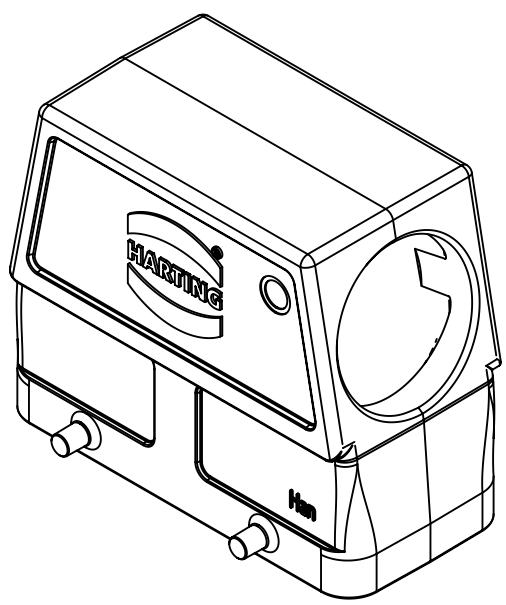
1 2 3 4 5 6

A

B

C

D



	All Dimensions in mm Original Size DIN A4		Scale 1:1	Free size tol.		Ref. Sub. TB 09 30 016 0510 v. 23.08.00		
		All rights reserved	Created by HOLLERT	Inspected by BERGHORN	Standardisation TIEMANNA	Date 2013-05-27	State Final Release	
Department EL PD - DE		Title Han 16B-gs-29				Doc-Key / ECM-Nr. 100220774/UGD/002/B 500000061018		
HARTING Electric GmbH & Co. KG D-32339 Espelkamp			Type TB	Number 09 30 016 0510			Rev. B	Page 1/1