

SURFACE MOUNT CRYSTAL UNIT

SPECIFICATIONS	XL-1*
Frequency Range	8MHz to 100MHz
Frequency Tolerance	±50ppm (at 25°C)
Temperature Stability	±50ppm
Operating Temperature Range	-10°C to +60°C
Shunt Capacitance	7pF Maximum
Equivalent Series Resistance	See Table 1
Load Capacitance	See Table 1
Drive Level	0.1mW Typical
Shock Resistance (Note 1)	±5ppm Maximum
Vibration Resistance (Note 2)	±5ppm Maximum
Insulation Resistance	500M Ohm Minimum at DC100 ±15V
Storage Temperature Range	-55°C to +125°C

Note 1 - (Shock Test Standard): 3 times from 75cm height onto a hard wooden board.

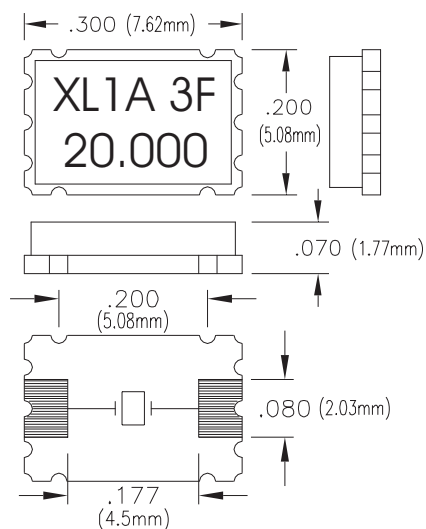
Note 2 - (Vibration Test Standard): 10 to 500Hz, Amplitude: 1.5mm or 10G, whichever is smaller.

TABLE 1

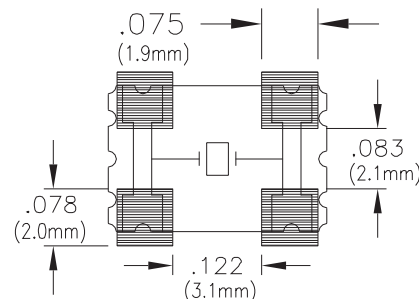
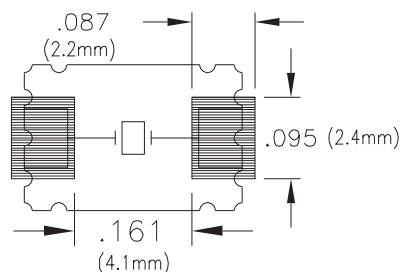
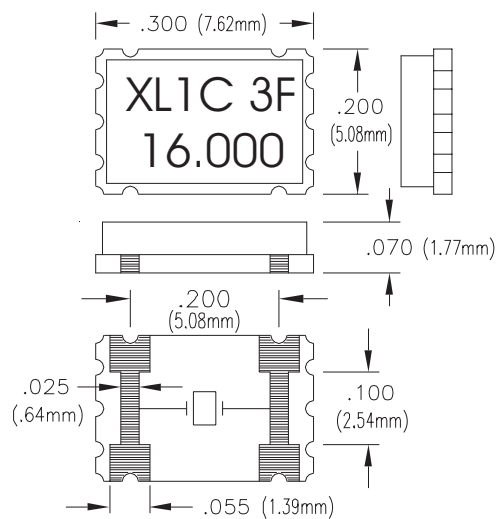
Frequency Range	Mode of Oscillation	E.S.R.	CL
8.000MHz to 9.999MHz	Fundamental	80 ohm Max	16pf
10.000MHz to 15.999MHz	Fundamental	60 ohm Max	16pf
16.000MHz to 50.000MHz	Fundamental	40 ohm Max	16pf
28.000MHz to 84.000MHz	3rd Overtone	60 ohm Max	Series
84.001MHz to 100.000MHz	5th Overtone	80 ohm Max	Series

PACKAGE OUTLINE: * - ADD SUFFIX FOR FOOTPRINT

XL-1A

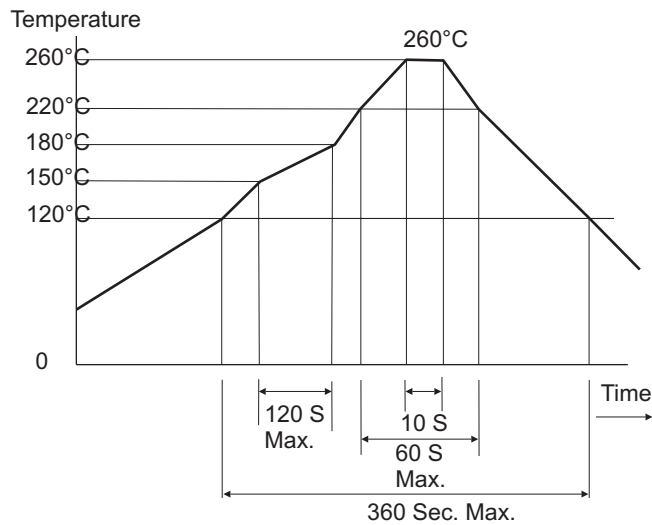


XL-1C

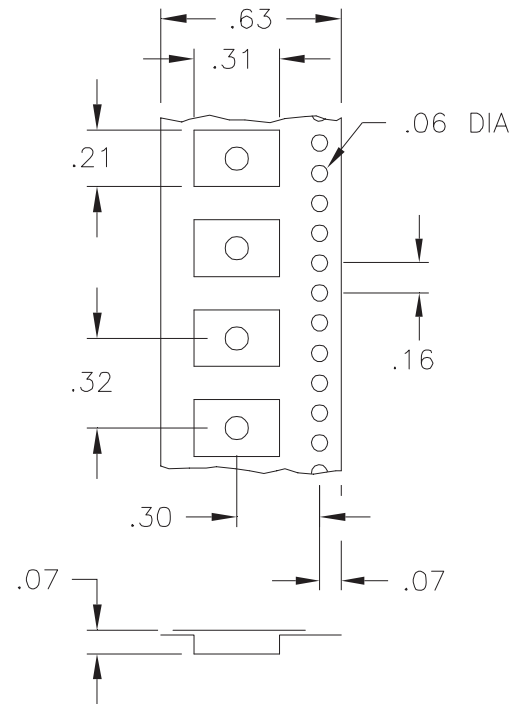
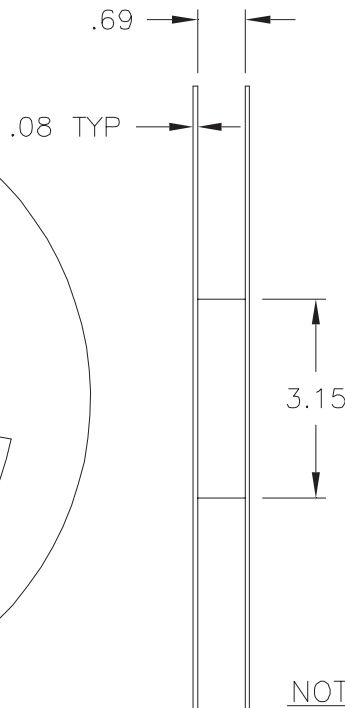
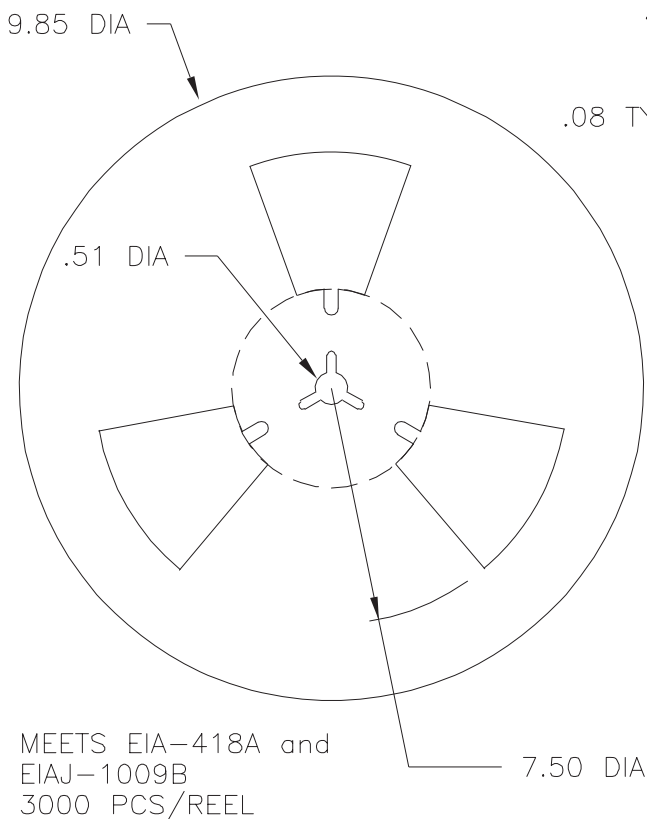


SURFACE MOUNT CRYSTAL UNIT

SOLDER PROFILE



TAPING AND REEL



NOTE: Unless otherwise specified, parts over 3000 pcs come on tape. 3000 pcs/reel. 1000 pcs/reel also available. Prices include tape and reel cost for 1000 pcs or over. Below 1000 pcs are supplied in bulk.