

### WDU9-500

**Electrical Specifications (@25C)**

1. Primary Rating: 120V 60Hz (8.5W @ Full Load)
2. Primary Excitation Current: 55mA Max
3. Secondary Rating: 9VDC ± 5%, 500mADC
4. Secondary No-Load Rating: 13.2VDC Ref.
5. Output Ripple Voltage: 800mV Max
6. Operating Temperature Range: -10 Deg C to +40 Deg C
7. Temperature Rise: 75 Deg C Max at rated load  
50 Deg C Max on enclosure surface

**Mechanical Parameters:**

Case Type: Thermoplastic molded enclosure.  
Output Cord: 24 AWG, 6 Ft. Long Min.

Agency File:

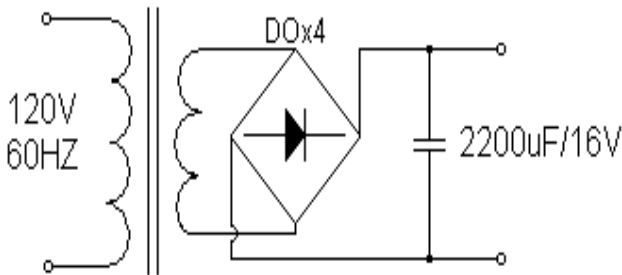
UL/CUL: File E245587, UL 1310

**A. Dimensions:**

H	W	D
60	43	39

\*Units: In Millimeter

**B. Schematic:**

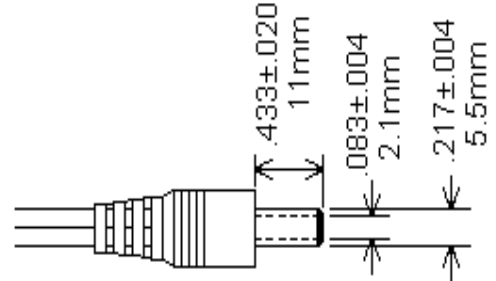
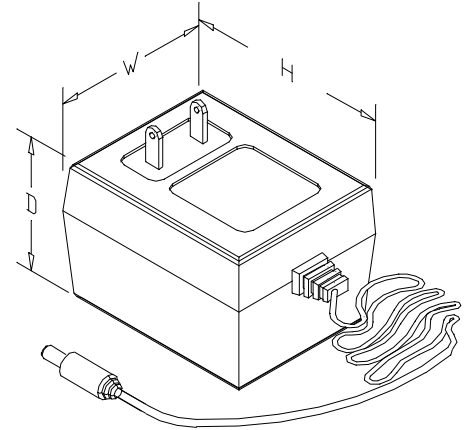


Technical Note: 1. Inside (tip)-positive (+), outside-negative (-)

**DOE Compliance:** Effective December 30, 2017, the DOE will now not consider an external power supply with specific characteristics to meet the definition of a device that is subject to EPCA regulation, as long as the power supply is not distributed for use with consumer products.

**RoHS Compliance:** As of manufacturing date February 2005, all standard products meet the requirements of 2011/65/EU, known as the RoHS initiative.

\* Upon printing, this document is considered “uncontrolled”. Please contact Triad Magnetics’ website for the most current version.



**TRIAD**

**CLASS 2 POWER SUPPLY**  
**MODEL: WDU9-500**  
**INPUT: 120VAC 60Hz, 8.5W**  
**OUTPUT: 9VDC @500mA**

- - - - - +

LISTED  
5G66  
E245587

MADE IN CHINA XXXX

FOR INDUSTRIAL AND COMMERCIAL USE ONLY