

### WDU12-600

#### Electrical Specifications (@25C)

1. Primary Rating: 120V 60Hz (12.5W @ Full Load)
2. Primary Excitation Current: 85mA Max
3. Secondary Rating: 12VDC  $\pm$  5%, 600mADC
4. Secondary No-Load Rating: 16.05VDC Ref.
5. Output Ripple Voltage: 1450mV Max
6. Operating Temperature Range: -10 Deg C to +40 Deg C
7. Temperature Rise: 75 Deg C Max at rated load  
50 Deg C Max on enclosure surface

#### Mechanical Parameters:

Case Type: Thermoplastic molded enclosure.  
Output Cord: 24 AWG, 6 Ft. Long Min.

Agency File:

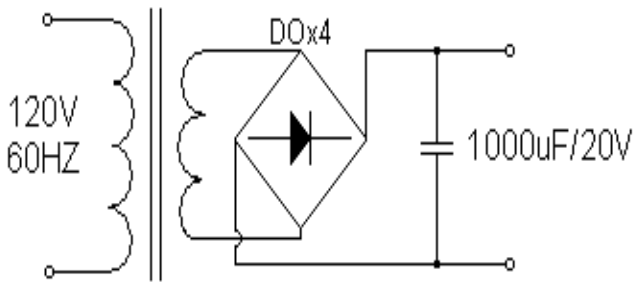
UL/CUL: File E245587, UL 1310

#### A. Dimensions:

H	W	D
80	60	48

\*Units: In Millimeter

#### B. Schematic:

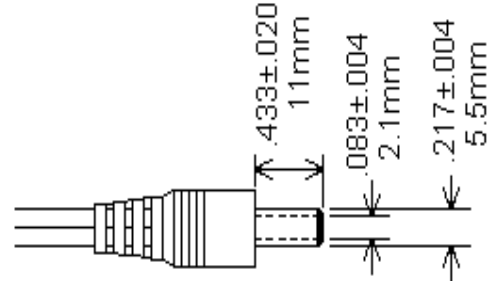
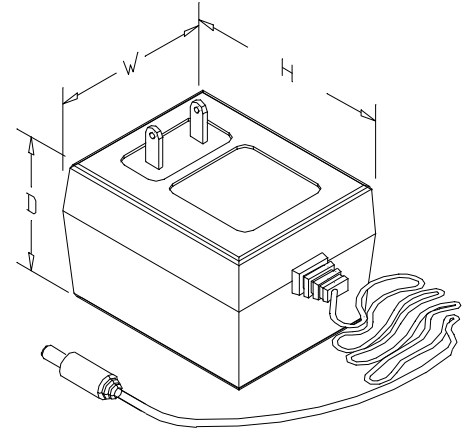


Technical Note: 1. Inside (tip)-positive (+), outside-negative (-)

**DOE Compliance:** Effective December 30, 2017, the DOE will now not consider an external power supply with specific characteristics to meet the definition of a device that is subject to EPCA regulation, as long as the power supply is not distributed for use with consumer products.

**RoHS Compliance:** As of manufacturing date February 2005, all standard products meet the requirements of 2011/65/EU, known as the RoHS initiative.

\* Upon printing, this document is considered “uncontrolled”. Please contact Triad Magnetics’ website for the most current version.



**TR I AD**

**CLASS 2 POWER SUPPLY**  
**MODEL:WDU12-600**  
**INPUT:120VAC 60Hz,12.5W**  
**OUTPUT:12VDC @600mA**

- - - - - ⊕ +

LISTED  
 5G66  
 E245587

c

**MADE IN CHINA XXXX**  
 FOR INDUSTRIAL AND COMMERCIAL USE ONLY