

SERIES: VYB20W-T | **DESCRIPTION:** DC-DC CONVERTER

FEATURES

- chassis mount with screw terminal connectors
- up to 20 W output
- compact size
- 4:1 input range (9 ~ 36 V, 18 ~ 75 V)
- single and dual outputs
- 1,500 V isolation
- short circuit, over current, and over voltage protection
- wide temperature operation (-40 ~ 85°C)
- efficiency up to 88%



| MODEL | input voltage range (Vdc) | output voltage (Vdc) | output current | | output power max (W) | ripple ¹ max (mVp-p) | noise ¹ max (mVp-p) | efficiency typ (%) |
|------------------|---------------------------|----------------------|----------------|----------|----------------------|---------------------------------|--------------------------------|--------------------|
| | | | min (mA) | max (mA) | | | | |
| VYB20W-Q24-S3-T | 9 ~ 36 | 3.3 | 500 | 5,000 | 16.5 | 150 | 150 | 83 |
| VYB20W-Q24-S5-T | 9 ~ 36 | 5 | 400 | 4,000 | 20 | 150 | 150 | 86 |
| VYB20W-Q24-S12-T | 9 ~ 36 | 12 | 167 | 1,667 | 20 | 150 | 150 | 87 |
| VYB20W-Q24-S15-T | 9 ~ 36 | 15 | 133 | 1,333 | 20 | 150 | 150 | 88 |
| VYB20W-Q24-S24-T | 9 ~ 36 | 24 | 83 | 834 | 20 | 150 | 150 | 88 |
| VYB20W-Q24-D5-T | 9 ~ 36 | ±5 | ±200 | ±2,000 | 20 | 50 | 100 | 84 |
| VYB20W-Q24-D12-T | 9 ~ 36 | ±12 | ±83 | ±833 | 20 | 50 | 100 | 87 |
| VYB20W-Q24-D15-T | 9 ~ 36 | ±15 | ±67 | ±667 | 20 | 50 | 100 | 87 |
| VYB20W-Q48-S3-T | 18 ~ 75 | 3.3 | 500 | 5,000 | 16.5 | 150 | 150 | 83 |
| VYB20W-Q48-S5-T | 18 ~ 75 | 5 | 400 | 4,000 | 20 | 150 | 150 | 87 |
| VYB20W-Q48-S12-T | 18 ~ 75 | 12 | 167 | 1,667 | 20 | 150 | 150 | 88 |
| VYB20W-Q48-S15-T | 18 ~ 75 | 15 | 133 | 1,333 | 20 | 150 | 150 | 88 |
| VYB20W-Q48-S24-T | 18 ~ 75 | 24 | 83 | 834 | 20 | 150 | 150 | 88 |
| VYB20W-Q48-D5-T | 18 ~ 75 | ±5 | ±200 | ±2,000 | 20 | 50 | 100 | 84 |
| VYB20W-Q48-D12-T | 18 ~ 75 | ±12 | ±83 | ±833 | 20 | 50 | 100 | 87 |
| VYB20W-Q48-D15-T | 18 ~ 75 | ±15 | ±67 | ±667 | 20 | 50 | 100 | 88 |

Notes: 1. Ripple and noise are measured at 20 MHz BW with 10µF tantalum capacitor and 1µF ceramic capacitor across output

PART NUMBER KEY

VYB20W - QXX - XXX - X - T

Base Number

Input Voltage

Output
S = single output
D = dual output

Output Voltage

Heatsink
"blank" = No
H = Yes

INPUT

| parameter | conditions/description | | min | typ | max | units |
|----------------------------|---|-----------------------------|------|-----|------|-------|
| operating input voltage | | | 9 | 24 | 36 | Vdc |
| | | | 18 | 48 | 75 | Vdc |
| start-up time | | | | 10 | | ms |
| under voltage lockout | dual output models | power up 24 V input | | | 9.0 | Vdc |
| | | power up 48 V input | | | 17.8 | Vdc |
| | dual output models | power down 24 V input | 7.8 | | | Vdc |
| | | power down 48 V input | 16.0 | | | Vdc |
| Remote on/off ¹ | all models | module off | 0 | | 1.2 | Vdc |
| | single output models | module on (or open circuit) | 3.5 | | 12 | Vdc |
| | dual output models | module on (or open circuit) | 3.5 | | 12 | Vdc |
| filter | single output models, LC dual output models, PI type | | | | | |

Notes: 1. The on/off pin voltage is referenced to GND

OUTPUT

| parameter | conditions/description | | min | typ | max | units |
|--------------------------|-------------------------------------|--|-----|-------|------|-------|
| line regulation | measured from low line to high line | | | ±0.2 | ±0.5 | % |
| load regulation | measured from 10% to full load | | | ±0.5 | ±1 | % |
| voltage accuracy | refer to recommended circuit | | | ±1 | ±3 | % |
| transient recovery time | 25% step load charge | | | 200 | 500 | µs |
| transient peak deviation | 25% rated load | | | ±3 | ±5 | % |
| cross regulation | dual output models | main output 55%, supplemental output from 10~100% load | | | ±5 | % |
| adjustability | single output models | | | ±10% | | Vdc |
| switching frequency | 100% load, input voltage range | | | 400 | | kHz |
| temperature coefficient | | | | ±0.02 | | %/°C |

PROTECTIONS

| parameter | conditions/description | | min | typ | max | units |
|--------------------------|---|---------------------|-----|------|-----|-------|
| short circuit protection | hiccups, continuous, automatic recovery | | | | | |
| over current protection | single output models | input voltage range | 120 | 130 | 150 | % |
| | dual output models | input voltage range | 120 | 140 | 150 | % |
| over voltage protection | single output models | 3.3 V | | 3.9 | | Vdc |
| | | 5 V | | 6.2 | | Vdc |
| | | 12 V | | 15 | | Vdc |
| | | 15 V | | 18 | | Vdc |
| | | 24 V | | 28 | | Vdc |
| | dual output models | ±5 V | | ±6.1 | | Vdc |
| | | ±12 V | | ±15 | | Vdc |
| | ±15 V | | ±18 | | Vdc | |

SAFETY AND COMPLIANCE

| parameter | conditions/description | min | typ | max | units |
|-----------------------|--|-----------|----------------|-----|----------|
| isolation voltage | tested for 1 minute at 1 mA max. | 1,500 | | | Vdc |
| isolation resistance | at 500 Vdc | 1,000 | | | MΩ |
| isolation capacitance | input to output, 100 kHz / 0.1 V single output models dual output models | | 1,000 2,000 | | pF pF |
| RoHS compliant | yes | | | | |
| MTBF | M1L-HDBK-217F | 1,000,000 | | | hours |

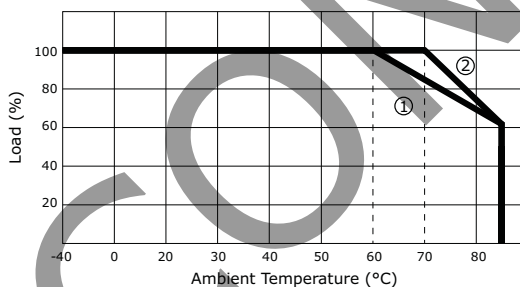
ENVIRONMENTAL

| parameter | conditions/description | min | typ | max | units |
|----------------------------|-------------------------------------|-----|-----|-----|-------|
| case operating temperature | | -40 | | 85 | °C |
| maximum case temperature | during operation | | | 105 | °C |
| storage temperature | | -55 | | 125 | °C |
| storage humidity | non-condensing | 5 | | 95 | % |
| temperature rise | 100% load | | 40 | | °C |
| lead temperature | 1.5 mm from the case for 10 seconds | | | 300 | °C |

DERATING CURVES

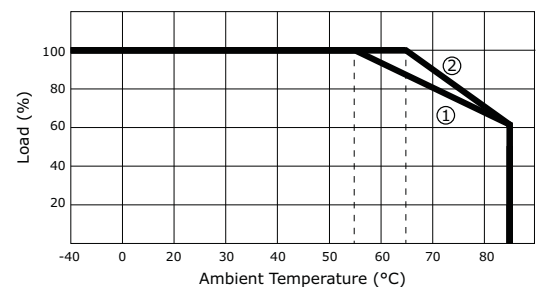
output power vs. ambient temperature

single output models

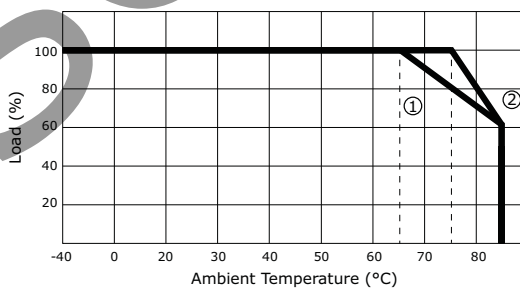


a. ≤5V models

dual output models



b. >5V models

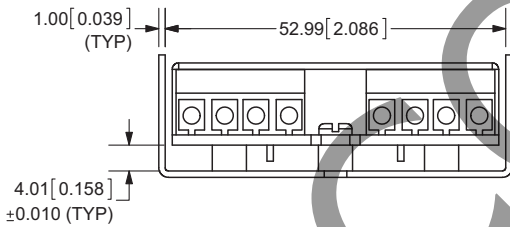
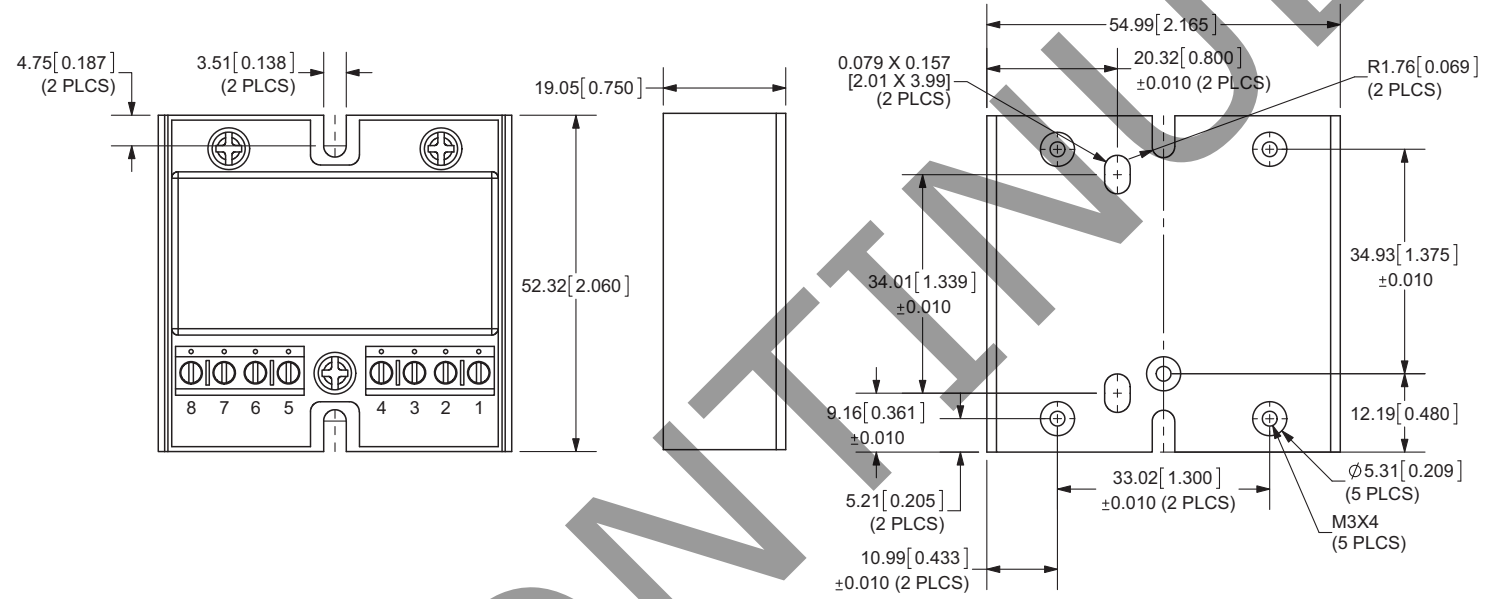


- ① without heat sink
- ② with heatsink

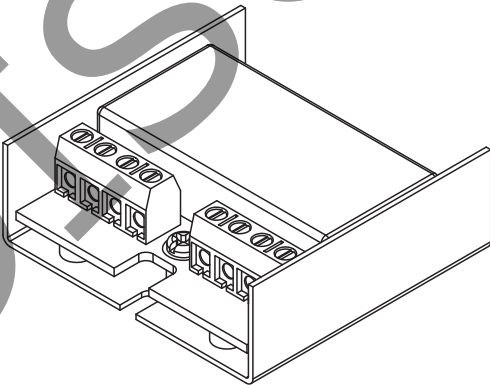
MECHANICAL

| parameter | conditions/description | min | typ | max | units |
|---------------|--|-----|-----|-----|-------|
| dimensions | 2.17 x 2.06 x 0.75 inch (55.0 x 52.3 x 19.1mm) | | | | |
| case material | aluminum | | | | |
| weight | with heat sink | | 70 | | g |
| | | | 85 | | g |

MECHANICAL DRAWING



| PIN CONNECTIONS | | |
|-----------------|--------|--------|
| Pin | Single | Dual |
| 1 | 0V | -Vo |
| 2 | Trim | 0V |
| 3 | +Vo | +Vo |
| 4 | No Pin | No Pin |
| 5 | Case | Case |
| 6 | On/Off | On/Off |
| 7 | Vin | Vin |
| 8 | GND | GND |



Unit inch[mm]
 TOLERANCE: ±0.020 inches UNLESS OTHERWISE SPECIFIED
 Screw terminals: Degson Electronics terminal block part number DG301-5.0-04P-12 or equivalent (4 pin, M2.5 screw) 5.0 mm spacing
 *DIN rail mounting kit available (part # STK-DIN)

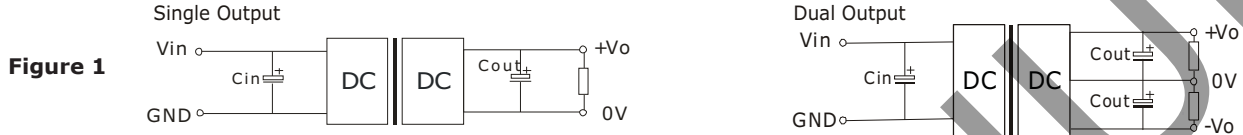
APPLICATION NOTES

1. Requirement on Output Load

In order to ensure the product operates efficiently and reliably, make sure the specified range of input voltage is not exceeded and the minimum output load is not less than 10% load. If the actual load is less than the specified minimum load, the output ripple may increase sharply while its efficiency and reliability will reduce greatly. If the actual output power is very small, please add an appropriate resistor as extra loading.

2. Recommended Circuit

The VYB20W series has been tested according to the following recommended testing circuit. This series should be tested under load. (see Figure 1)



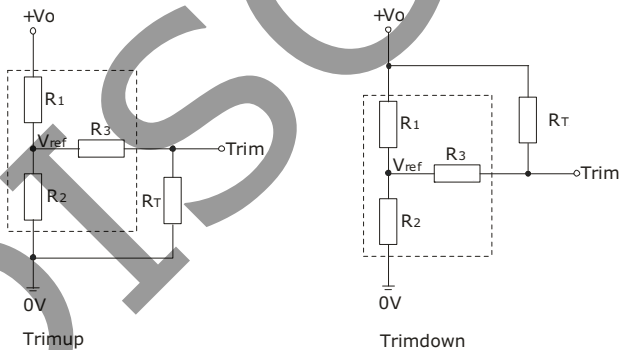
If you want to further decrease the input/output ripple, you can increase capacitance properly or choose capacitors with low ESR. If the capacitance is too big, a startup problem might arise. The maximum allowable capacitance to ensure safe and reliable operation is listed in Table 1.

Table 1

| Single Vout (Vdc) | Cout (μF) | Cin (μF) | Dual Vout (Vdc) | Cout (μF) | Cin (μF) |
|-------------------|-----------|----------|-----------------|-----------|----------|
| 3.3 | 470 | 100 | -- | -- | -- |
| 5 | 470 | 100 | ±5 | ±220 | 100 |
| 12 | 220 | 100 | ±12 | ±100 | 100 |
| 15 | 220 | 100 | ±15 | ±100 | 100 |
| 24 | 100 | 100 | -- | -- | -- |

3. Trim Application And Trim Resistance (Single Output Models)

Application circuit for TRIM (Part in broken line is the interior of models)



Formula for trim resistance

$$\text{up: } R = \frac{aR_2}{R_2 - a} - R_3 \quad a = \frac{V_{\text{ref}}}{V_o' - V_{\text{ref}}} \cdot R_1$$

$$\text{down: } R_T = \frac{aR_1}{R_1 - a} - R_3 \quad a = \frac{V_o' - V_{\text{ref}}}{V_{\text{ref}}} \cdot R_2$$

Note: Value for R1, R2, R3, and Vref refer to the following table.

R_T: Trim resistance

a: User-defined parameter, no actual meaning.

V_o': Trim up/down voltage.

| Vo | 3.3 (Vdc) | 5 (Vdc) | 12 (Vdc) | 15 (Vdc) | 24 (Vdc) |
|------------|-----------|---------|----------|----------|----------|
| Resistance | | | | | |
| R1 (KΩ) | 4.801 | 2.883 | 10.971 | 14.497 | 24.872 |
| R2 (KΩ) | 2.863 | 2.864 | 2.864 | 2.864 | 2.864 |
| R3 (KΩ) | 15 | 10 | 17.8 | 17.8 | 20 |
| Vref (V) | 1.24 | 2.5 | 2.5 | 2.5 | 2.5 |

REVISION HISTORY

| rev. | description | date |
|------|-----------------------------|------------|
| 1.0 | initial release | 08/08/2011 |
| 1.01 | V-Infinity branding removed | 08/29/2012 |

The revision history provided is for informational purposes only and is believed to be accurate.



Headquarters
20050 SW 112th Ave.
Tualatin, OR 97062
800.275.4899

Fax 503.612.2383
cui.com
techsupport@cui.com

CUI offers a two (2) year limited warranty. Complete warranty information is listed on our website.

CUI reserves the right to make changes to the product at any time without notice. Information provided by CUI is believed to be accurate and reliable. However, no responsibility is assumed by CUI for its use, nor for any infringements of patents or other rights of third parties which may result from its use.

CUI products are not authorized or warranted for use as critical components in equipment that requires an extremely high level of reliability. A critical component is any component of a life support device or system whose failure to perform can be reasonably expected to cause the failure of the life support device or system, or to affect its safety or effectiveness.