

SERIES: VHK50W-DIN | **DESCRIPTION:** DC-DC CONVERTER

FEATURES

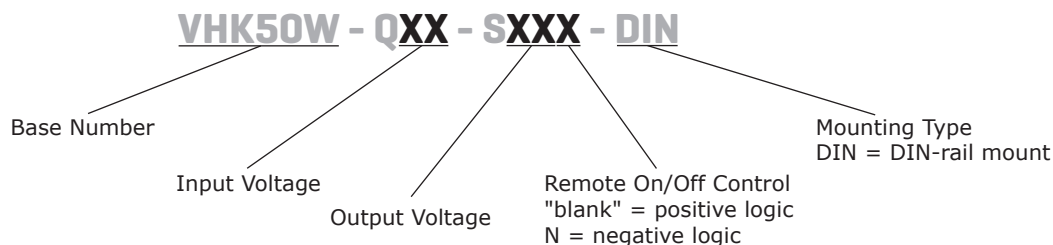
- up to 50 W isolated output
- rugged metal enclosure with integrated heat sink
- 4:1 input range (9~36 Vdc, 18~75 Vdc)
- single output from 3.3~48 Vdc
- 1,500 Vdc isolation
- over current, over temperature, over voltage, and short circuit protections
- remote on/off
- efficiency up to 83%
- comes with DIN-rail mount



| MODEL | input voltage | output voltage | output current | output power | ripple and noise ¹ | efficiency |
|---------------------|---------------|----------------|----------------|--------------|-------------------------------|------------|
| | range (Vdc) | (Vdc) | max (A) | max (W) | max (mVp-p) | typ (%) |
| VHK50W-Q24-S3R3-DIN | 9 ~ 36 | 3.3 | 10 | 33 | 100 | 75 |
| VHK50W-Q24-S5-DIN | 9 ~ 36 | 5 | 10 | 50 | 100 | 79 |
| VHK50W-Q24-S12-DIN | 9 ~ 36 | 12 | 4.16 | 50 | 150 | 82 |
| VHK50W-Q24-S15-DIN | 9 ~ 36 | 15 | 3.33 | 50 | 150 | 82 |
| VHK50W-Q24-S24-DIN | 9 ~ 36 | 24 | 2.08 | 50 | 240 | 82 |
| VHK50W-Q24-S28-DIN | 9 ~ 36 | 28 | 1.78 | 50 | 280 | 82 |
| VHK50W-Q24-S48-DIN | 9 ~ 36 | 48 | 1.04 | 50 | 480 | 82 |
| VHK50W-Q48-S3R3-DIN | 18 ~ 75 | 3.3 | 10 | 33 | 100 | 76 |
| VHK50W-Q48-S5-DIN | 18 ~ 75 | 5 | 10 | 50 | 100 | 80 |
| VHK50W-Q48-S12-DIN | 18 ~ 75 | 12 | 4.16 | 50 | 150 | 83 |
| VHK50W-Q48-S15-DIN | 18 ~ 75 | 15 | 3.33 | 50 | 150 | 83 |
| VHK50W-Q48-S24-DIN | 18 ~ 75 | 24 | 2.08 | 50 | 240 | 83 |
| VHK50W-Q48-S28-DIN | 18 ~ 75 | 28 | 1.78 | 50 | 280 | 83 |
| VHK50W-Q48-S48-DIN | 18 ~ 75 | 48 | 1.04 | 50 | 480 | 83 |

Note: 1. Ripple and noise are measured at full load, 20 MHz BW with 10µF tantalum capacitor and 1µF ceramic capacitor across output. The 48 Vdc output models only require the 1µF ceramic capacitor across the output.

PART NUMBER KEY



INPUT

| parameter | conditions/description | min | typ | max | units |
|-------------------------|--|---------------------------|-----|-----|-------|
| operating input voltage | 24 Vdc input models | 9 | 24 | 36 | Vdc |
| | 48 Vdc input models | 18 | 48 | 75 | Vdc |
| under voltage shutdown | 24 Vdc input | | 8.8 | | Vdc |
| | | power up | 8 | | Vdc |
| | 48 Vdc input | | 17 | | Vdc |
| | | power up | 16 | | Vdc |
| CTRL ¹ | positive logic | models ON (open circuit) | | | |
| | | models OFF (0~0.8 Vdc) | | | |
| | negative logic | models ON (0~0.8 Vdc) | | | |
| | | models OFF (open circuit) | | | |
| filter | pi filter | | | | |
| input fuse | 15A time delay fuse for 24 Vin models, 8A time delay fuse for 48 Vin models | | | | |

Note: 1. Open collector refer to -Vin

OUTPUT

| parameter | conditions/description | min | typ | max | units |
|-------------------------------|--------------------------------------|-----|-----|--------|-------|
| maximum capacitive load | 3.3 and 5 V output models | | | 10,000 | μF |
| | 12 V output models | | | 4,160 | μF |
| | 15 V output models | | | 3,330 | μF |
| | 24 V output models | | | 2,080 | μF |
| | 28 V output models | | | 1,780 | μF |
| | 48 V output models | 47 | | 1,040 | μF |
| line regulation ² | measured from high line to low line | | | ±0.2 | % |
| load regulation ² | measured from full load to zero load | | | ±0.2 | % |
| voltage accuracy ² | | | | ±1 | % |
| adjustability | | | | ±10 | % |
| switching frequency | | | | 300 | kHz |
| transient response | 25% step load change | | | 500 | μs |
| temperature coefficient | | | | ±0.03 | %/°C |

Note: 2. A 47 μF aluminum capacitor is required on the output for 48 Vdc output models.

PROTECTIONS

| parameter | conditions/description | min | typ | max | units |
|-----------------------------|--------------------------|-----|-----|-----|-------|
| short circuit protection | continuous | | | | |
| over current protection | % nominal output current | 110 | | 160 | % |
| over voltage protection | | 115 | | 140 | % |
| over temperature protection | shutdown | | 100 | | °C |
| | restart threshold | | 70 | | °C |

SAFETY AND COMPLIANCE

| parameter | conditions/description | min | typ | max | units |
|----------------------|--|-------|-----|-----|-------|
| isolation voltage | for 1 min: input/output; input/case; output/case | 1,500 | | | Vdc |
| isolation resistance | | 10 | | | MΩ |
| RoHS | 2011/65/EU (CE) | | | | |

ENVIRONMENTAL

| parameter | conditions/description | min | typ | max | units |
|-----------------------|------------------------|-----|-----|-----|-------|
| operating temperature | see derating curve | -40 | | 85 | °C |
| storage temperature | | -55 | | 105 | °C |

MECHANICAL

| parameter | conditions/description | min | typ | max | units |
|---------------|--|-----|-----|-----|-------|
| dimensions | 4.23 x 4.01 x 2.07 (107.5 x 101.8 x 52.6 mm) | | | | inch |
| case material | steel and aluminum extrusion | | | | |
| weight | | | 651 | | g |

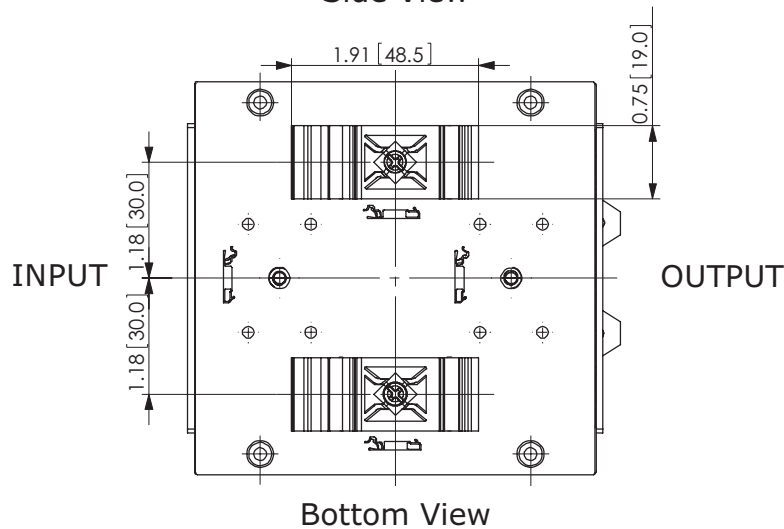
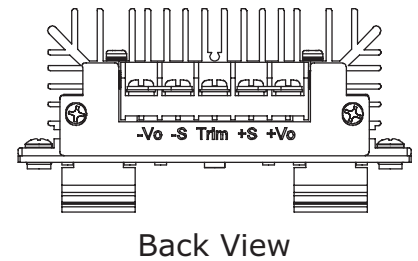
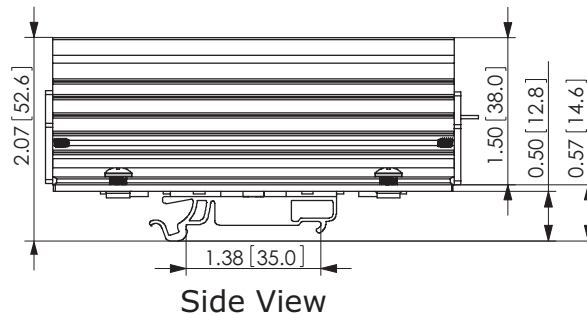
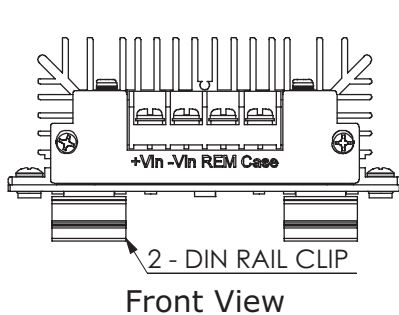
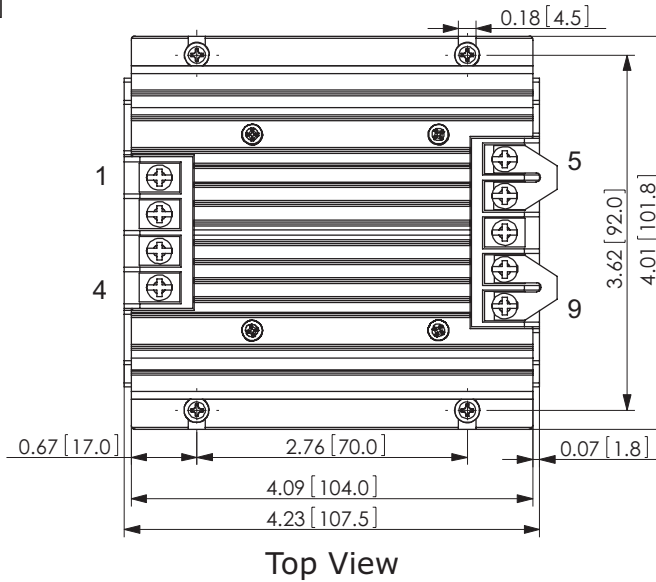
MECHANICAL DRAWING

units: inch[mm]

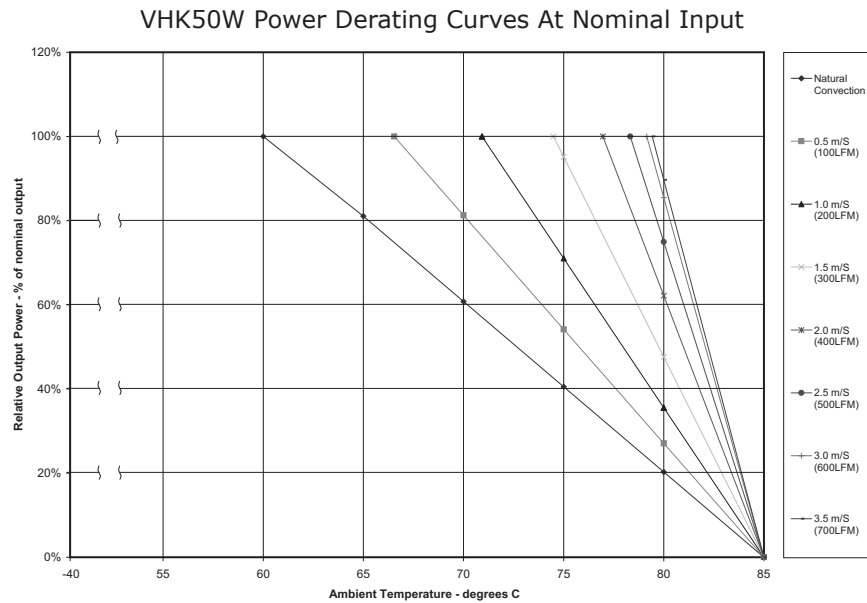
tolerance: X.XX = $\pm 0.02[\pm 0.5]$
 X.XXX = $\pm 0.010[\pm 0.25]$

wire range: 22~12 AWG
 screw size: #6-32
 mounts to TS35 rails

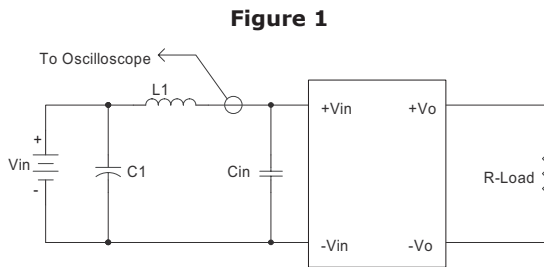
| PIN CONNECTIONS | |
|-----------------|----------|
| PIN | FUNCTION |
| 1 | +Vin |
| 2 | -Vin |
| 3 | REM |
| 4 | CASE |
| 5 | +Vo |
| 6 | +S |
| 7 | TRIM |
| 8 | -S |
| 9 | -Vo |



DERATING CURVES



TEST CONFIGURATION



Note: Input reflected-ripple current is measured with an inductor L1 and Capacitor C1 to simulate source impedance.

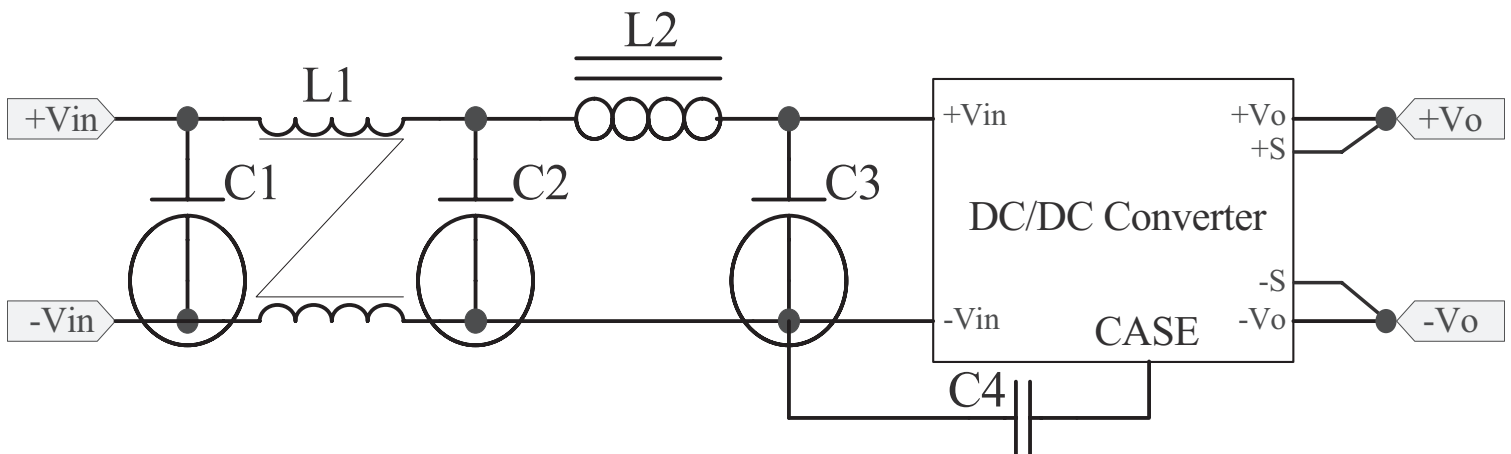
Table 1

| External components | |
|---------------------|------------------------------|
| L1 | 12μH |
| C1 | 220μF, ESR < 0.1Ω at 100 KHz |
| Cin | 100μF, ESR < 0.1Ω at 100 KHz |

EMC RECOMMENDED CIRCUITS

EN55022 CLASS A

Figure 2
Recommended Circuit for EN55022 Class A
 (for all 3.3, 5, 12, 15, 24, & 28 Vdc output models)



EMC RECOMMENDED CIRCUITS (CONTINUED)

EN55022 CLASS A

Figure 3
Recommended Circuit for EN55022 Class A
 (for all 48 Vdc output models)

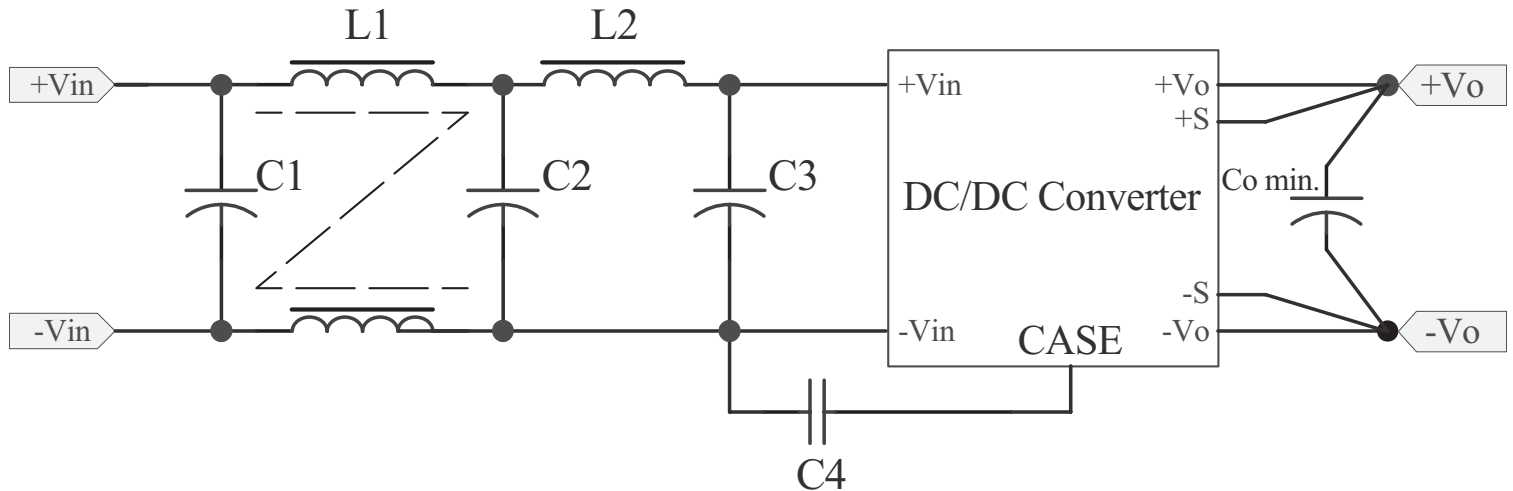


Table 2
Class A Recommended Components

| Model | C1 ¹ | C2 ² | C3 ² | C4 ¹ | L1 | L2 | Co min. |
|-----------------|-----------------|-----------------|-----------------|-----------------|--------|--------|---------|
| VHK50W-Q24-S3R3 | NC | 100 µF/50 V | 100 µF/50 V | 2200 pF/2 kV | Short | 3.5 µH | NC |
| VHK50W-Q24-S5 | NC | 100 µF/50 V | 100 µF/50 V | 2200 pF/2 kV | Short | 3.5 µH | NC |
| VHK50W-Q24-S12 | NC | 100 µF/50 V | 100 µF/50 V | 2200 pF/2 kV | Short | 3.5 µH | NC |
| VHK50W-Q24-S15 | NC | 100 µF/50 V | 100 µF/50 V | 2200 pF/2 kV | Short | 3.5 µH | NC |
| VHK50W-Q24-S24 | 10 µF/50 V | 100 µF/50 V | 100 µF/50 V | NC | 1.5 mH | 3.4 µH | NC |
| VHK50W-Q24-S28 | NC | 100 µF/50 V | 100 µF/50 V | 2200 pF/2 kV | Short | 3.4 µH | NC |
| VHK50W-Q24-S48 | NC | 100 µF/50 V | 100 µF/50 V | NC | Short | 3.5 µH | 47 µF |
| VHK50W-Q48-S3R3 | NC | 47 µF/100 V | 47 µF/100 V | 2200 pF/2 kV | Short | 3.4 µH | NC |
| VHK50W-Q48-S5 | NC | 47 µF/100 V | 47 µF/100 V | 2200 pF/2 kV | Short | 3.4 µH | NC |
| VHK50W-Q48-S12 | NC | 47 µF/100 V | 47 µF/100 V | 2200 pF/2 kV | Short | 3.4 µH | NC |
| VHK50W-Q48-S15 | NC | 47 µF/100 V | 47 µF/100 V | 2200 pF/2 kV | Short | 3.4 µH | NC |
| VHK50W-Q48-S24 | NC | 47 µF/100 V | 47 µF/100 V | 2200 pF/2 kV | Short | 3.4 µH | NC |
| VHK50W-Q48-S28 | NC | 100 µF/100 V | 100 µF/100 V | 2200 pF/2 kV | Short | 3.4 µH | NC |
| VHK50W-Q48-S48 | NC | 47 µF/100 V | 47 µF/100 V | 2200 pF/2 kV | Short | 3.5 µH | 47 µF |

Note: 1. Ceramic capacitors
 2. Aluminum capacitors

EMC RECOMMENDED CIRCUITS (CONTINUED)

EN55022 CLASS B

Figure 4
Recommended Circuit for EN55022 Class B
 (for all 3.3, 5, 12, 15, & 24 Vdc output models)

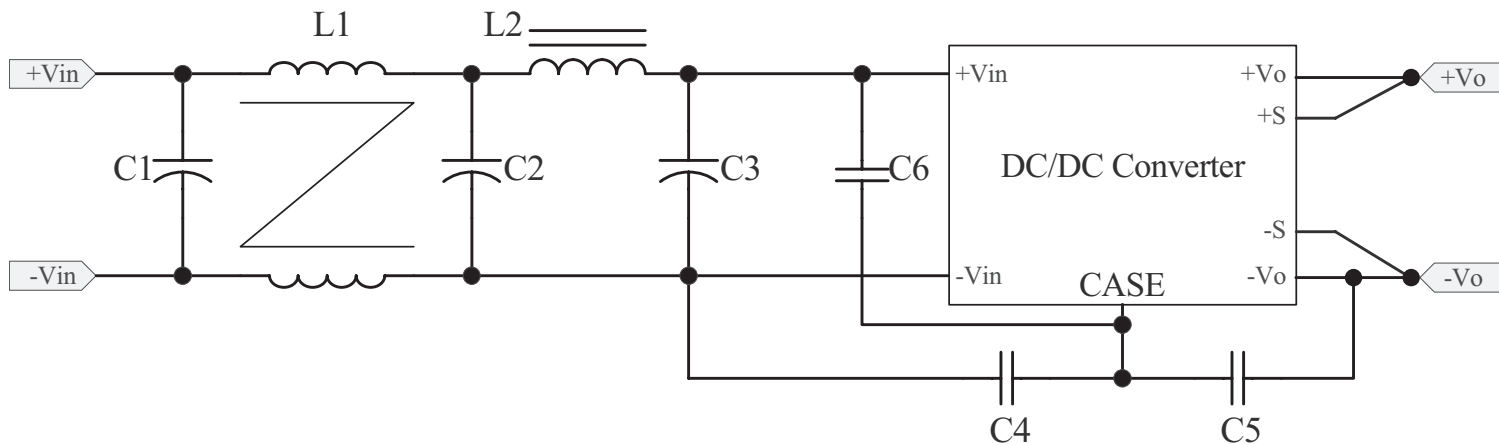


Figure 5
Recommended Circuit for EN55022 Class B
 (for all 28 Vdc output models)

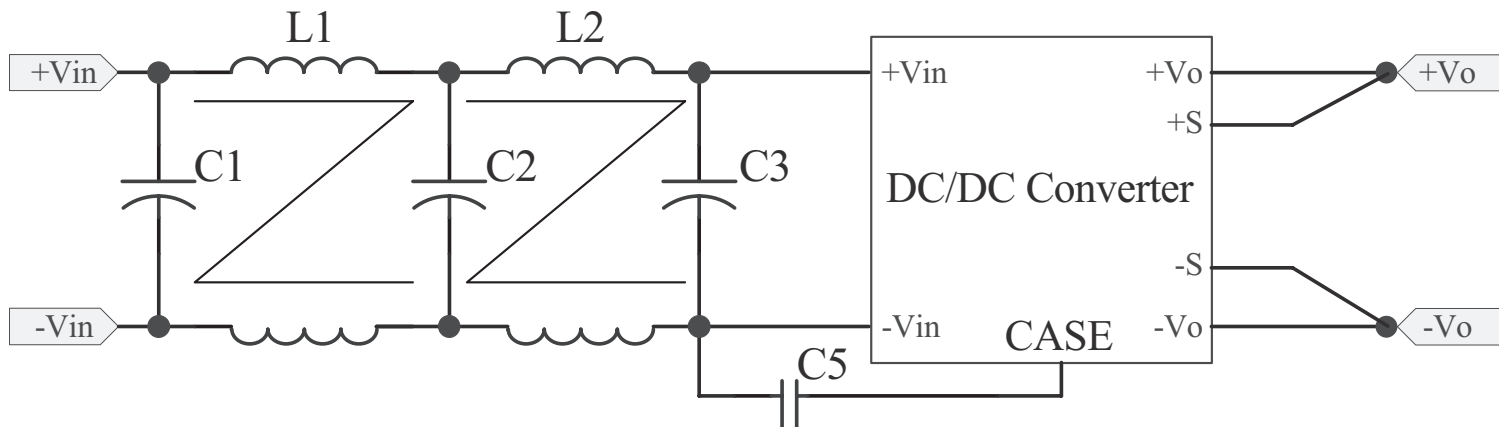
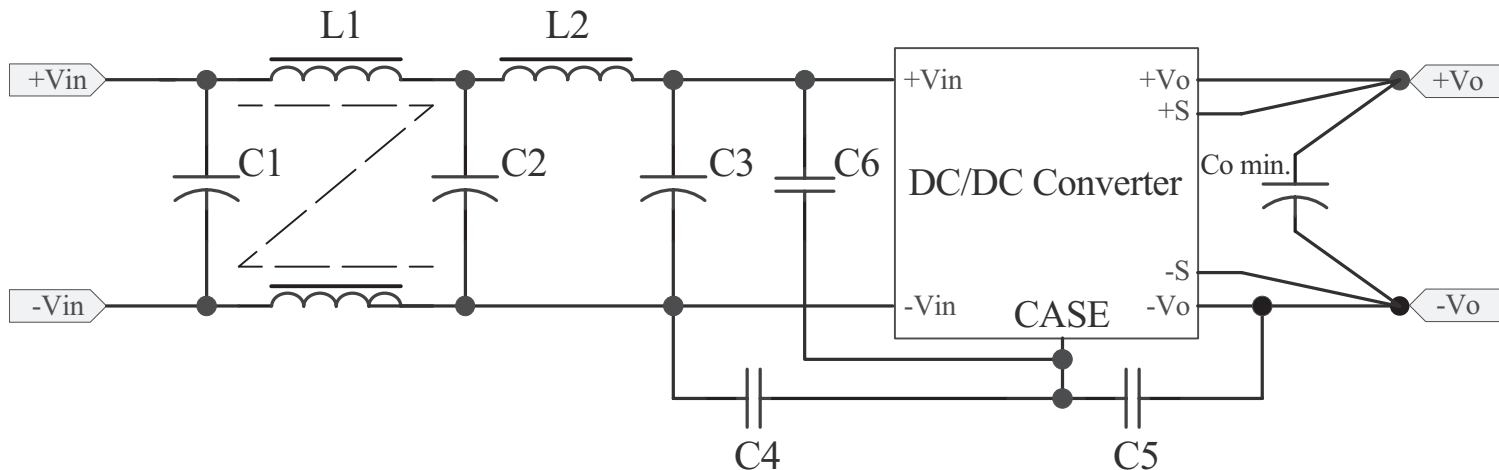


Figure 6
Recommended Circuit for EN55022 Class B
 (for all 48 Vdc output models)



EMC RECOMMENDED CIRCUITS (CONTINUED)**EN55022 CLASS B**

Table 3
Class B Recommended Components

| Model | C1 ² | C2 ² | C3 ² | C4 ¹ | C5 ¹ | C6 ¹ | L1 | L2 | Co min. |
|-----------------|-------------------------|-----------------|-----------------|-----------------|-----------------|-----------------|---------|---------|---------|
| VHK50W-Q24-S3R3 | 100 µF/50 V | 100 µF/50 V | 100 µF/50 V | 3300 pF/2 kV | NC | NC | 0.65 mH | 1.5 µH | NC |
| VHK50W-Q24-S5 | 100 µF/50 V | 100 µF/50 V | 100 µF/50 V | 2200 pF/2 kV | NC | NC | 0.65 mH | 1.5 µH | NC |
| VHK50W-Q24-S12 | 100 µF/50 V | 100 µF/50 V | 100 µF/50 V | 3300 pF/2 kV | NC | NC | 0.65 mH | 1.5 µH | NC |
| VHK50W-Q24-S15 | 100 µF/50 V | 100 µF/50 V | 100 µF/50 V | 2200 pF/2 kV | NC | NC | 0.65 mH | 1.5 µH | NC |
| VHK50W-Q24-S24 | 10 µF/50 V ¹ | 100 µF/50 V | 100 µF/50 V | 2200 pF/2 kV | 3300 pF/2 kV | 1000 pF/2 kV | 1.5 mH | 3.4 µH | NC |
| VHK50W-Q24-S28 | 100 µF/50 V | 100 µF/50 V | NC | NC | 1000 pF/2 kV | NC | 0.12 mH | 0.34 mH | NC |
| VHK50W-Q24-S48 | 10 µF/50 V ¹ | 100 µF/50 V | 100 µF/50 V | 4700 pF/2 kV | 2200 pF/2 kV | 1000 pF/2 kV | 1.5 mH | 3.4 µH | 47 µF |
| VHK50W-Q48-S3R3 | 47 µF/100 V | 47 µF/100 V | 47 µF/100 V | 3300 pF/2 kV | 3300 pF/2 kV | 1000 pF/2 kV | 1.5 mH | 3.4 µH | NC |
| VHK50W-Q48-S5 | 47 µF/100 V | 47 µF/100 V | 47 µF/100 V | 3300 pF/2 kV | 3300 pF/2 kV | 1000 pF/2 kV | 1.5 mH | 3.4 µH | NC |
| VHK50W-Q48-S12 | 47 µF/100 V | 47 µF/100 V | 47 µF/100 V | 3300 pF/2 kV | 3300 pF/2 kV | 1000 pF/2 kV | 1.5 mH | 3.4 µH | NC |
| VHK50W-Q48-S15 | 47 µF/100 V | 47 µF/100 V | 47 µF/100 V | 3300 pF/2 kV | 3300 pF/2 kV | 1000 pF/2 kV | 1.5 mH | 3.4 µH | NC |
| VHK50W-Q48-S24 | 47 µF/100 V | 47 µF/100 V | 47 µF/100 V | 3300 pF/2 kV | 3300 pF/2 kV | 1000 pF/2 kV | 1.5 mH | 3.4 µH | NC |
| VHK50W-Q48-S28 | 100 µF/100 V | 100 µF/100 V | NC | NC | 1000 pF/2 kV | NC | 0.12 mH | 0.34 mH | NC |
| VHK50W-Q48-S48 | 47 µF/100 V | 47 µF/100 V | 47 µF/100 V | 4700 pF/2 kV | 2200 pF/2 kV | 1000 pF/2 kV | 1.5 mH | 3.4 µH | 47 µF |

Note: 1. Ceramic capacitors
2. Aluminum capacitors

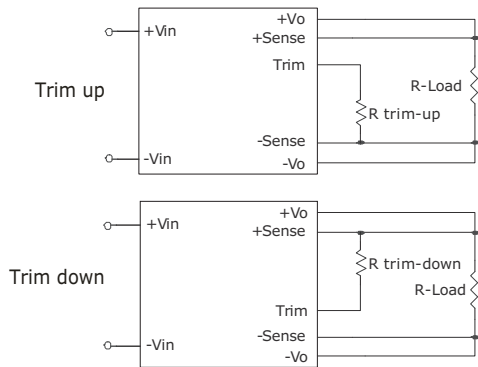
APPLICATION NOTES

1. Output Voltage Trimming

Leave open if not used.

Figure 7

Application Circuit for Trim pin



Formula for Trim Resistor

$$R_{trim - up} = \left(\frac{R_1(V_r - V_f \left(\frac{R_2}{R_2 + R_3} \right))}{V_o - V_{o, nom}} \right) - \frac{R_2 R_3}{R_2 + R_3} (K\Omega)$$

$$R_{trim - down} = \frac{R_1(V_o - V_r)}{V_{o, nom} - V_o} - R_2 (K\Omega)$$

Note: $R_{trim-up}$ is the external resistor in $K\Omega$
 $R_{trim-down}$ is the external resistor in $K\Omega$
 $V_{o, nom}$ is the nominal output voltage
 V_o is the desired output voltage
 $R_1, R_2, R_3,$ and V_r are internal (see Table 4).

Table 4

| Vout (Vdc) | R1 (K Ω) | R2 (K Ω) | R3 (K Ω) | Vr (V) | Vf (V) |
|------------|------------------|------------------|------------------|--------|--------|
| 3.3 | 3 | 12 | 18 | 1.24 | 0.46 |
| 5 | 2.32 | 8.2 | 0 | 2.5 | 0 |
| 12 | 9.1 | 51 | 18 | 2.5 | 0.46 |
| 15 | 12 | 82 | 18 | 2.5 | 0.46 |
| 24 | 20 | 100 | 20 | 2.5 | 0.46 |
| 28 | 23.7 | 150 | 16 | 2.5 | 0.46 |
| 48 | 36 | 270 | 14 | 2.5 | 0.46 |

REVISION HISTORY

| rev. | description | date |
|-------------|------------------------|-------------|
| 1.0 | initial release | 12/17/2013 |
| 1.01 | changed DIN-rail mount | 06/16/2014 |

The revision history provided is for informational purposes only and is believed to be accurate.



Headquarters
20050 SW 112th Ave.
Tualatin, OR 97062
800.275.4899

Fax 503.612.2383
cui.com
techsupport@cui.com

CUI offers a two (2) year limited warranty. Complete warranty information is listed on our website.

CUI reserves the right to make changes to the product at any time without notice. Information provided by CUI is believed to be accurate and reliable. However, no responsibility is assumed by CUI for its use, nor for any infringements of patents or other rights of third parties which may result from its use.

CUI products are not authorized or warranted for use as critical components in equipment that requires an extremely high level of reliability. A critical component is any component of a life support device or system whose failure to perform can be reasonably expected to cause the failure of the life support device or system, or to affect its safety or effectiveness.