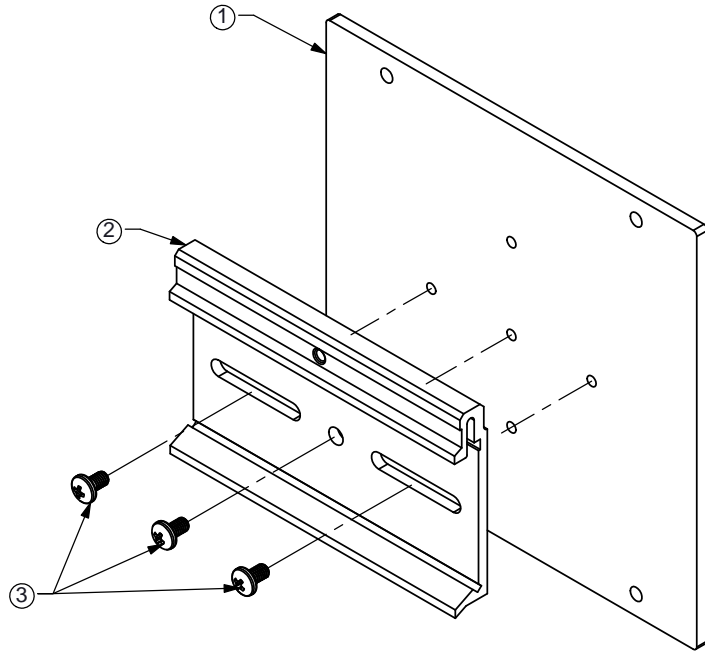
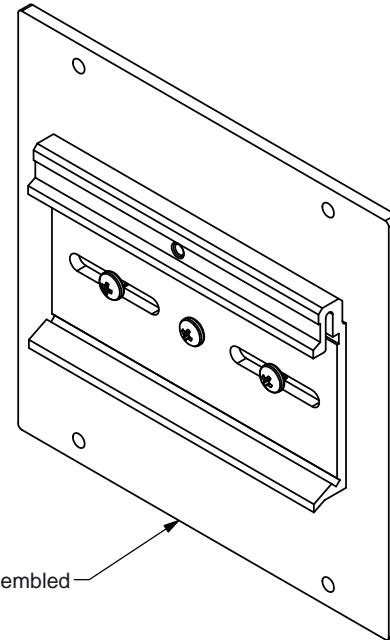


REV.	DESCRIPTION	DATE
A	NEW DRAWING	5/20/2013

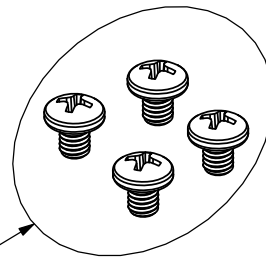


EXPLODED VIEW



Shipped Assembled

ASSEMBLY VIEW



④ Shipped Loose



**CUI INC**

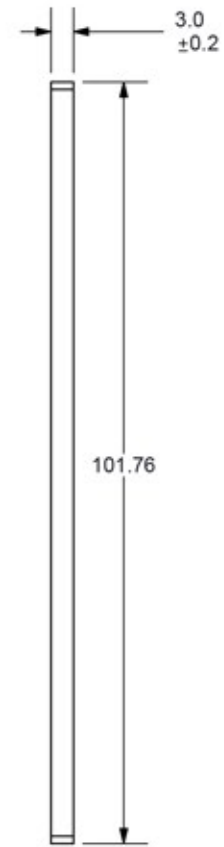
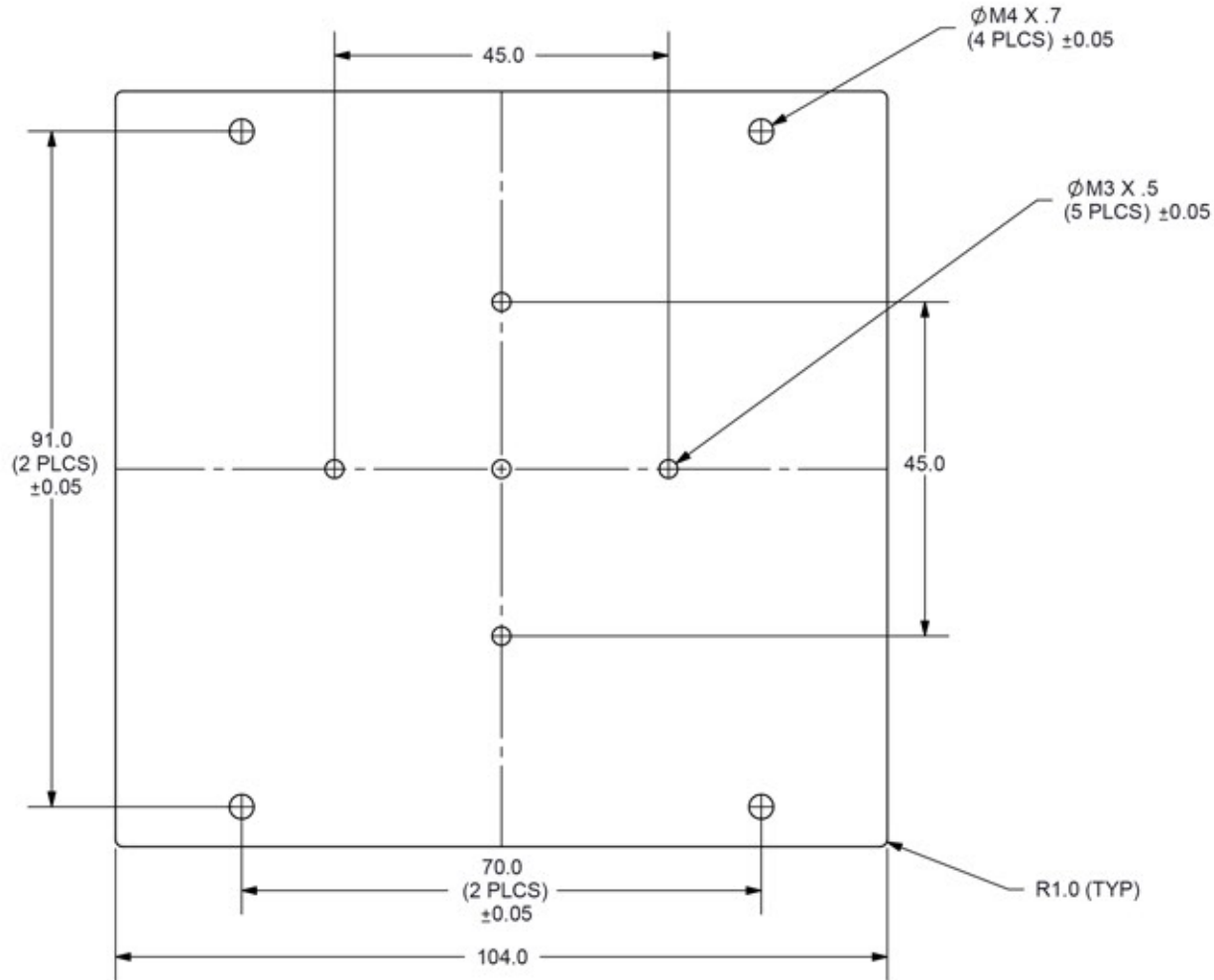
20050 SW 112th Ave.  
Tualatin, OR 97062  
Phone: 503-612-2300  
800-275-4899  
Fax: 503-612-2383  
Website: www.cui.com

ITEM	DESCRIPTION	QUANTITY	TITLE: DIN RAIL MOUNTING BRACKET KIT		REV: A
1	VHK-DRA	1	PART NO. VHK-DIN		UNITS: MM
2	VDRP-02	1			
3	M3X6 SCREWS	3	DRAWN BY: RDS		APPROVED BY:
4	M4X5 SCREWS	4			

PC FILE NAME:  
VHK-DIN

COPYRIGHT 2013 BY CUI INC.

REV.	DESCRIPTION	DATE
A	NEW DRAWING	5/20/2013



TOLERANCE:  
±0.2mm UNLESS OTHERWISE  
SPECIFIED

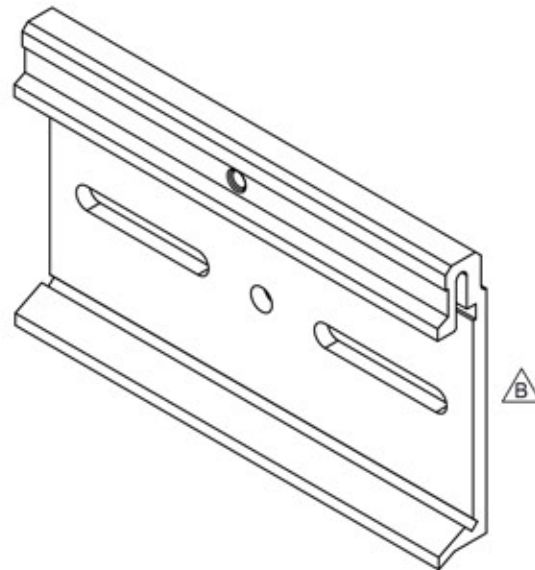
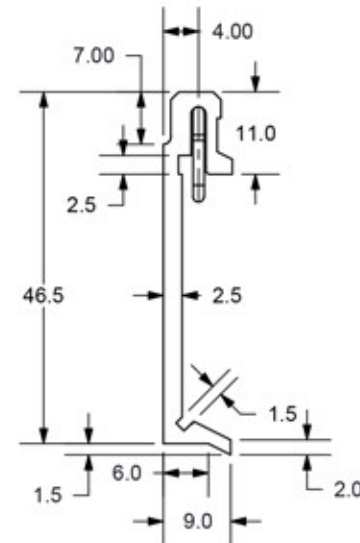
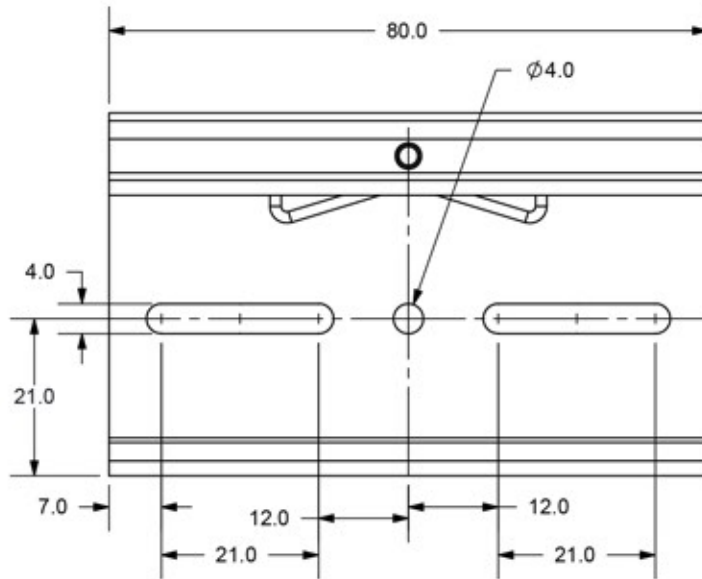


20050 SW 112th Ave.  
Tualatin, OR 97062  
Phone: 503-612-2300  
800-275-4899  
Fax: 503-612-2383  
Website: www.cui.com

TITLE: MOUNTING PLATE		REV: A
PART NO. VHK-DRA	UNITS: MM	
DRAWN BY: RDS	APPROVED BY:	SCALE:

PC FILE NAME:

REV.	DESCRIPTION	DATE
A	NEW DRAWING	8/30/2008
B	updated drawing	5/20/2013



TOLERANCE:  
±0.3mm UNLESS OTHERWISE  
SPECIFIED

MATERIAL: ALUMINUM

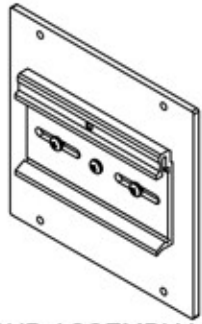


20050 SW 112th Ave.  
Tualatin, OR 97062  
Phone: 503-612-2300  
800-275-4899  
Fax: 503-612-2383  
Website: www.cui.com

TITLE: DIN RAIL MOUNTING BRACKET		REV: B
PART NO. VDRP-02	UNITS: MM	
DRAWN BY: RDS	APPROVED BY:	SCALE:

REV.	DESCRIPTION	DATE
A	NEW DRAWING	8/28/2008
B	updated drawing	5/20/2013

①



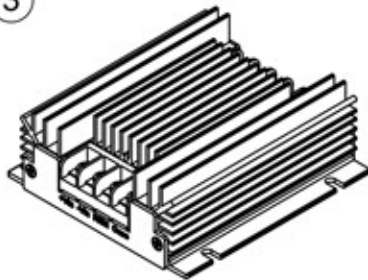
SUB-ASSEMBLY  
(See page 1)  
QTY: 1

②

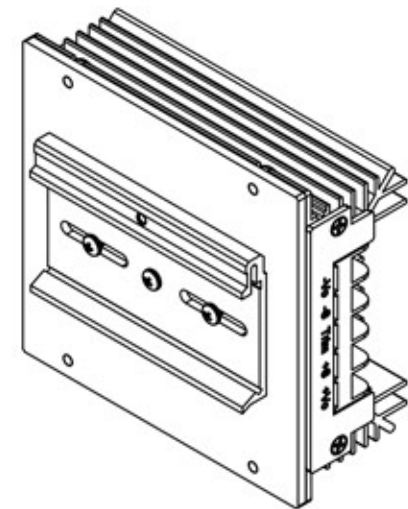
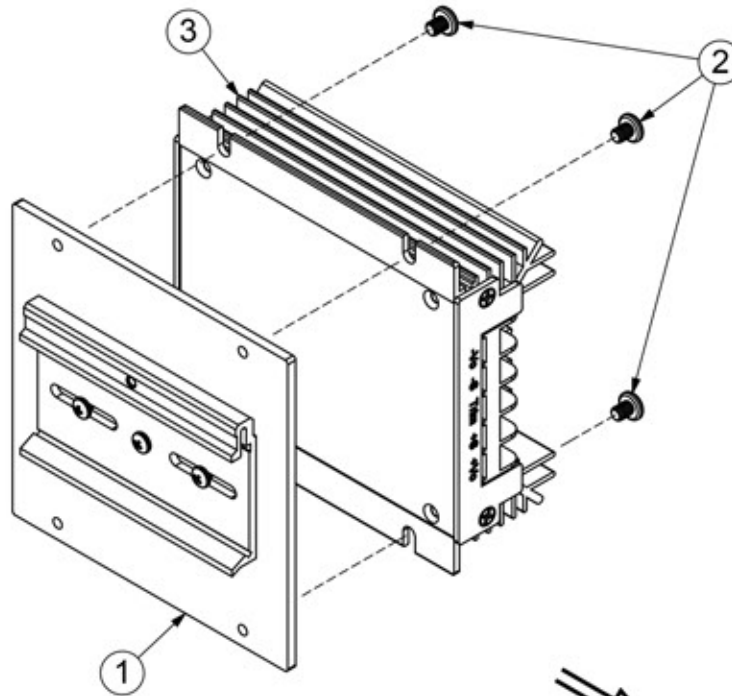


M4X0.5  
5mm length  
LOOSE SCREWS  
(See page 1)  
QTY: 4

③



VHK CHASSIS  
MOUNT DC-DC  
CONVERTER  
QTY: 1  
(sold separately)



TITLE: DIN RAIL MOUNTING BRACKET ASSEMBLY INSTRUCTIONS		REV: B
PART NO. VHK-DIN assembly	UNITS: MM	
DRAWN BY: RDS	APPROVED BY:	SCALE: 1:2