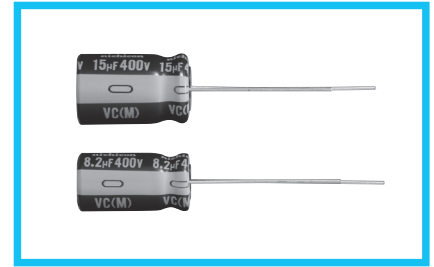
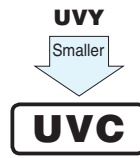


UVC

Ultra-Miniature-Sized for adapters.



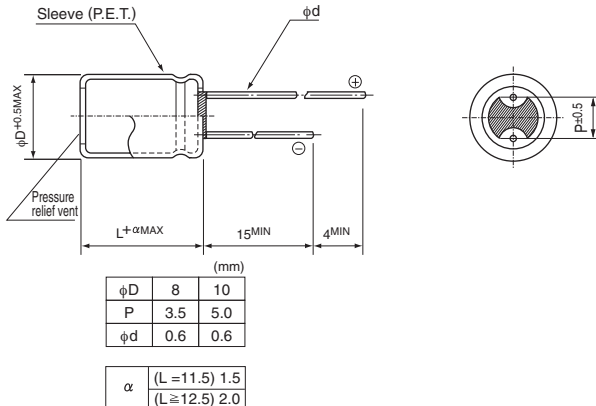
- One rank smaller case sizes than UVY.
- Swited for adapter circuit.
- Compliant to the RoHS directive (2011/65/EU).



Specifications

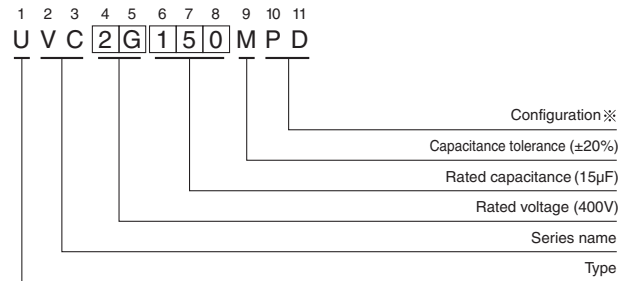
Item	Performance Characteristics	
Category Temperature Range	-40 to +105°C	
Rated Voltage Range	400V	
Rated Capacitance Range	4.7 to 18µF	
Capacitance Tolerance	±20% at 120Hz, 20°C	
Leakage Current	I = 0.04CV+100 (µA) or less	
Tangent of loss angle (tan δ)	Rated voltage (V)	400
	tan δ (MAX.)	0.25
Measurement frequency : 120Hz, at 20°C		
Stability at Low Temperature	Rated voltage (V)	400
	Impedance ratio	Z-25°C / Z+20°C 6
	ZT / Z20 (MAX.)	Z-40°C / Z+20°C 10
Measurement frequency : 120Hz		
Endurance	The specifications listed at right shall be met when the capacitors are restored to 20°C after D.C. bias plus rated ripple current is applied for 2000 hours at 105°C, the peak voltage shall not exceed the rated voltage.	
	Capacitance change	tan δ
		Leakage current
		Within ±25% of the initial capacitance value
		200% or less than the initial specified value
		Less than or equal to the initial specified value
Shelf Life	After storing the capacitors under no load at 105°C for 1000 hours and then performing voltage treatment based on JIS C 5101-4 clause 4.1 at 20°C, they shall meet the specified values for the endurance characteristics listed above.	
Marking	Printed with white color letter on dark brown sleeve.	

Radial Lead Type



•Please refer to page 20 about the end seal configuration.

Type numbering system (Example : 400V 15µF)



※ Configuration

φ D	Pb-free leadwire Pb-free PET sleeve
8 · 10	PD

Dimensions

V		400	
Cap.(µF)	Code	2G	
4.7	4R7	8 × 11.5	70
5.6	5R6	8 × 11.5	70
8.2	8R2	8 × 16	85
10	100	10 × 12.5	100
12	120	8 × 20	120
15	150	10 × 16	150
18	180	10 × 20	200
		Case size φD × L (mm)	Rated ripple

Rated ripple current (mArms) at 105°C 120Hz

Frequency coefficient of rated ripple current

Cap.(µF)	Frequency	50Hz	120Hz	500Hz	1 kHz	10kHz or more
4.7 to 8.2		0.65	1.00	1.20	1.30	1.50
10 to 18		0.80	1.00	1.20	1.30	1.50

Please refer to page 20, 21, 22 about the formed or taped product spec.
Please refer to page 4 for the minimum order quantity.