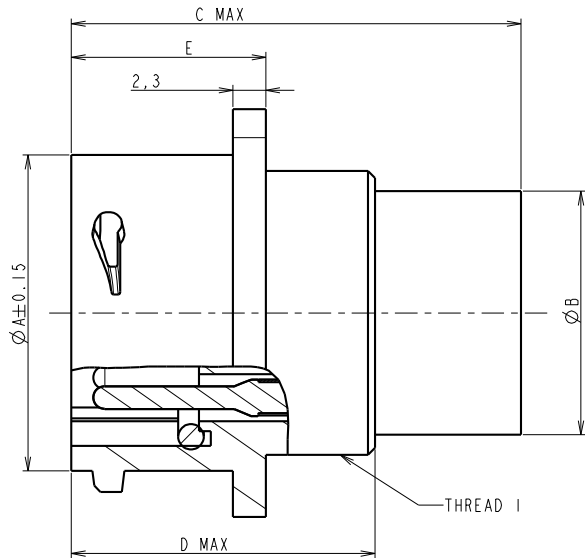
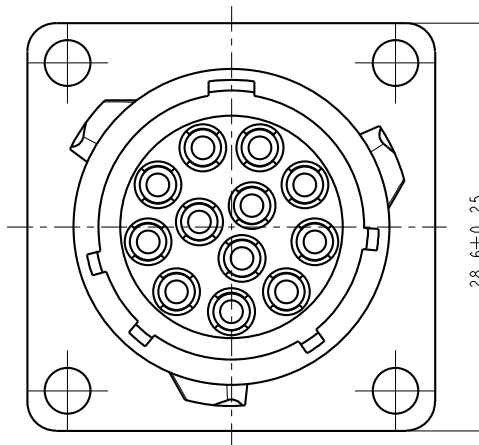


MATING FACE



COUPE B-B



MATERIAL :

Shell: Polyamid UL94 V-0
Seal gasket : Sealing IP68/69K : Nitril o'ring

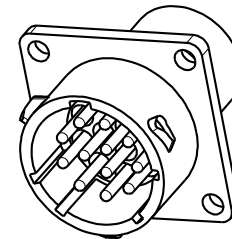
PERFORMANCE CHARACTERISTICS :

Operating temperature: -40°C up to 105°C
Insulation resistance: 5000 MΩmin
Test potential: 2000 Vrms for #16 layout
Corrosion salt spray: 500 hours
Durability: 250 matings and unmatings
Sealing in mated conditions:
- IP68 1 bar during 1 week : immersion under 10 m of water.
(IEC 60529)
- IP69K : exposure to high pressure water of cleaning equipment (DIN 40050)

NOTES :

- 1 - Contact to be ordered separately : refer to TRIM TRIO catalog

SHELL SIZE	THREAD I	ØA±0.15	ØA±0.15	ØB±0.15	C MAX.	D MAX.	E±0.25
14	13/16 " 20 UNEF CLASS 2A	22.20	22.20	17	31.9	21.5	13.6



UTS0 14 12 P XX

Receptacle UTS0

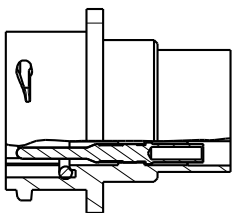
Shell size

Insert arrangement

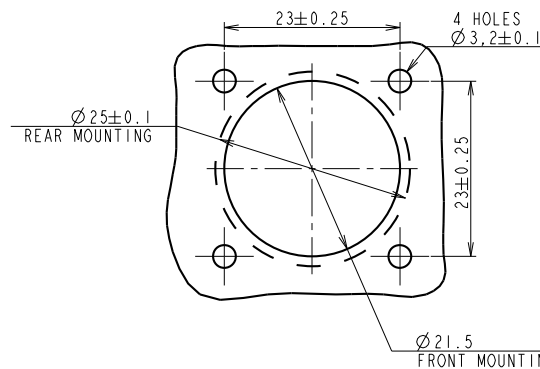
P = Male contact
(See detail 1)

Specification

MALE CONNECTOR
(Detail 1)



PANEL CUT OUT



CUSTOMER DRAWING

ISS	26/01/10	First Issue	MOD N°	--
DESIGNED BY	RAGAINEM	DATE	26/01/10	CUSTOMER DRAWING
TITLE	UTS CONNECTOR RECEPTACLE TYPE O SIZE 14 LAYOUT 12 CTS			
SCALE	2/1	General linear Tolerances: ±0.2	NPRDS / PROJECT IC090204A	
FORMAT	A2	SOURIAU DRG N° C107-UTSI-A		SHEET 1 / 1

NO EXTERNAL CONTROL