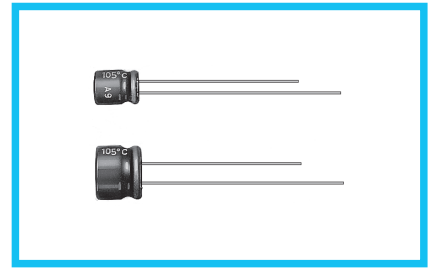


UMF

5mmL, Low Impedance



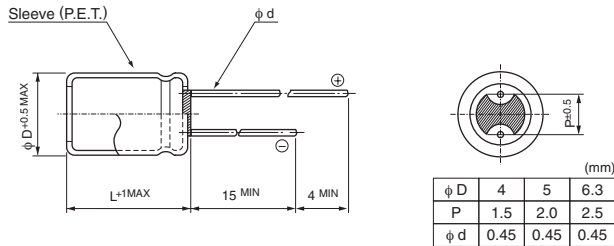
- Low impedance over wide temperature range of -55 to +105°C, with 5mm height.
- Suited for DC-DC converters where smaller case size and lower impedance are required.
- Compliant to the RoHS directive (2011/65/EU).



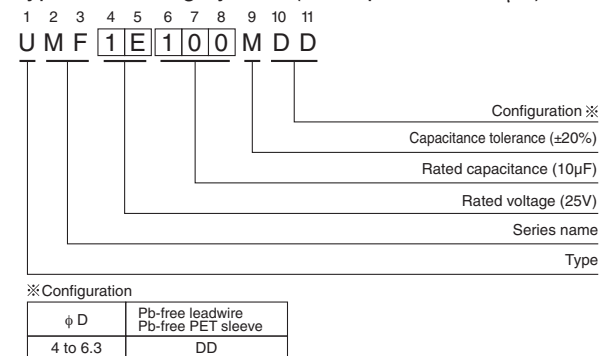
Specifications

Item	Performance Characteristics					
Category Temperature Range	-55 to +105°C					
Rated Voltage Range	6.3 to 35V					
Rated Capacitance Range	1 to 100μF					
Rated Capacitance Tolerance	±20% at 120Hz, 20°C					
Leakage Current	After 2 minutes' application of rated voltage at 20°C, leakage current is not more than 0.01CV or 3 (μA), whichever is greater.					
Tangent of loss angle (tan δ)	Measurement frequency : 120Hz at 20°C					
	Rated voltage (V)	6.3	10	16	25	35
	tan δ (MAX.)	0.22	0.20	0.18	0.14	0.12
Stability at Low Temperature	Measurement frequency : 120Hz					
	Rated voltage (V)	6.3	10	16	25	35
	Impedance ratio	Z-25°C / Z+20°C	2	2	2	2
	ZT / Z20 (MAX.)	Z-55°C / Z+20°C	4	4	3	3
Endurance	The specifications listed at right shall be met when the capacitors are restored to 20°C after the rated voltage is applied for 1000 hours at 105°C.					
	tan δ	200% or less than the initial specified value				
	Leakage current	Less than or equal to the initial specified value				
Shelf Life	After storing the capacitors under no load at 105°C for 1000 hours and then performing voltage treatment based on JIS C 5101-4 clause 4.1 at 20°C, they shall meet the specified values for the endurance characteristics listed above.					
Marking	Printed with white color letter on dark brown sleeve.					

Radial Lead Type



Type numbering system (Example : 25V 10μF)



Dimensions

Cap.(μF)	Code	6.3			10			16			25			35		
		0J			1A			1C			1E			1V		
1	010													4 × 5	5.0	50
1.5	1R5													4 × 5	5.0	50
2.2	2R2													4 × 5	5.0	50
3.3	3R3													4 × 5	5.0	50
4.7	4R7										4 × 5	5.0	50	4 × 5	5.0	50
6.8	6R8										4 × 5	5.0	50	5 × 5	2.6	80
10	100							4 × 5	5.0	50	5 × 5	2.6	80	5 × 5	2.6	80
15	150							5 × 5	2.6	80	5 × 5	2.6	80	6.3 × 5	1.3	115
22	220	4 × 5	5.0	50	5 × 5	2.6	80	5 × 5	2.6	80	6.3 × 5	1.3	115	6.3 × 5	1.3	115
33	330	5 × 5	2.6	80	5 × 5	2.6	80	6.3 × 5	1.3	115	6.3 × 5	1.3	115			
47	470	5 × 5	2.6	80	6.3 × 5	1.3	115	6.3 × 5	1.3	115						
68	680	6.3 × 5	1.3	115												
100	101	6.3 × 5	1.3	115										Case size φD×L (mm)	Impedance	Rated ripple

Max. Impedance (Ω) at 20°C 100kHz
 Rated ripple current (mArms) at 105°C 100kHz

Frequency coefficient of rated ripple current

Frequency	50 Hz	120 Hz	300 Hz	1 kHz	10 kHz or more
Coefficient	0.35	0.50	0.64	0.83	1.00

Please refer to page 20, 21, 22 about the formed or taped product spec.
 Please refer to page 4 for the minimum order quantity.