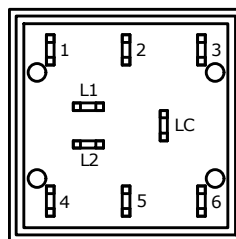
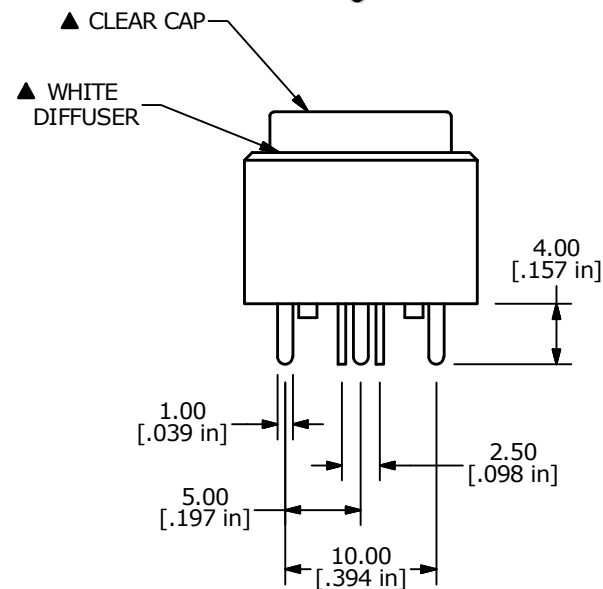
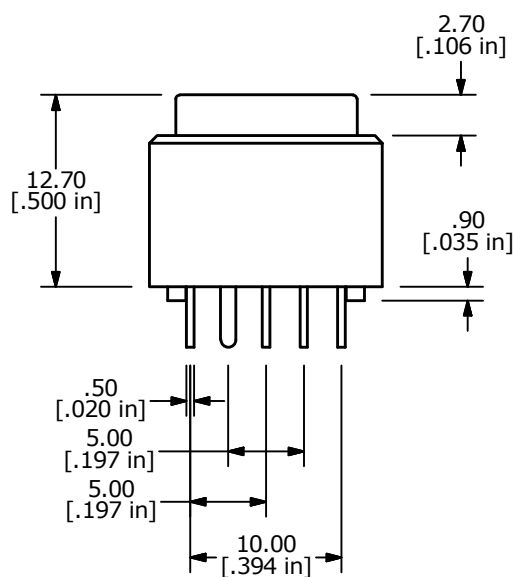
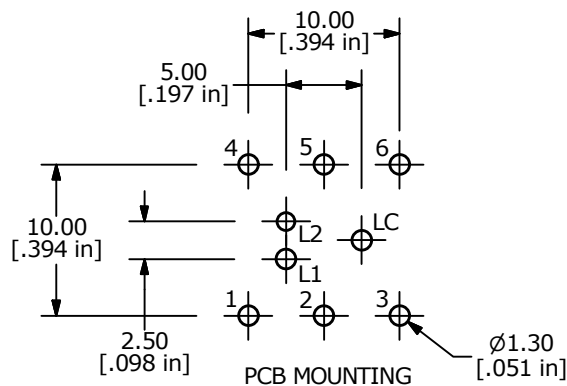
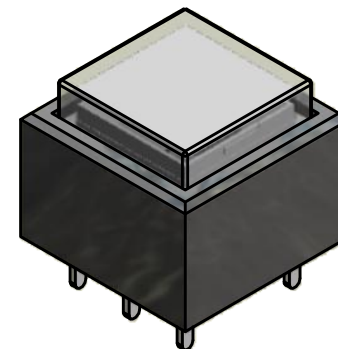
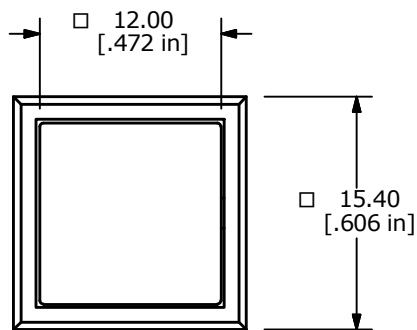


SCHEMATIC



NOTES:

1. ALL DIMENSIONS IN MM
2. GENERAL TOLERANCE: X.X = ±0.4
X.XX = ±0.25
3. TERM. NOS. FOR REFERENCE ONLY.
- ▲ 4. CONTACT RATING: 0.5A @ 100 VAC OR 25 VDC
0.2A @ 250 VAC
5. CONTACT MATERIAL: SILVER
6. ELECTRICAL LIFE: 200,000 Typical
7. OPERATING TEMP: -40°C to 85°C
8. OPERATING FORCE: 300 ± 150 gf
9. CONTACT RESISTANCE: 50 MILLI-OHM INITIAL TYP. MAX.
10. INSULATION RESISTANCE: 500VDC, 100 MΩ MIN.
11. DIELECTRIC STRENGTH: 1000 VAC FOR 1 MINUTE
12. TRAVEL TO MAKE: 2.20mm ± 0.2
13. 2002/95/EC (ROHS) COMPLIANT
14. ▲ DENOTES CRITICAL PARAMETER
- ▲ 15. LED COLOR: RED: 3 CHIPS; 1.95VDC, @20mA TYP.
GRN: 3 CHIPS; 2.1VDC, @20mA TYP.

C	22179	UPDATE DRAWING NOTES	3/3/16	MW
B	19738	UPDATE DRAWING	03/07/11	BMA
A	18305	RELEASE FOR PRODUCTION	11/25/08	BLR
REV	PCR NO	DESCRIPTION	DATE	BY

THE INFORMATION CONTAINED IN THIS DOCUMENT IS PROPRIETARY TO E-SWITCH AND IS NOT TO BE COPIED OR TRANSFERRED



TITLE ULP22OAP1QSFCL1REDGRN				
SCALE	DATE	DR	DWG	REV
2:1	11/25/2008	BLR	B800052	C