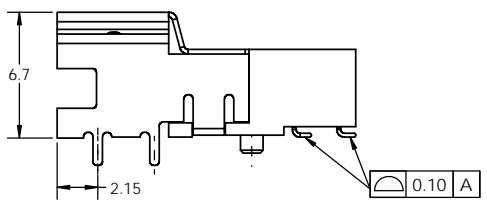
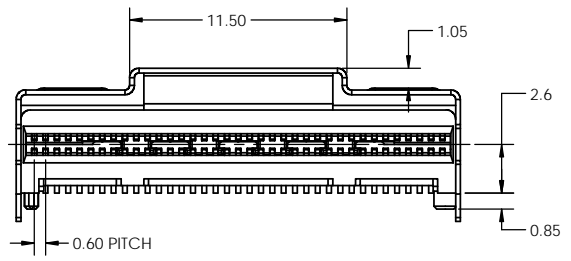
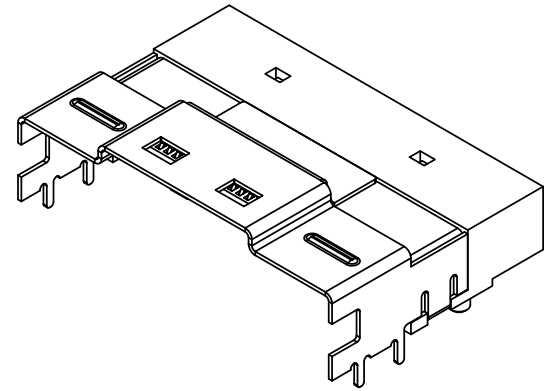
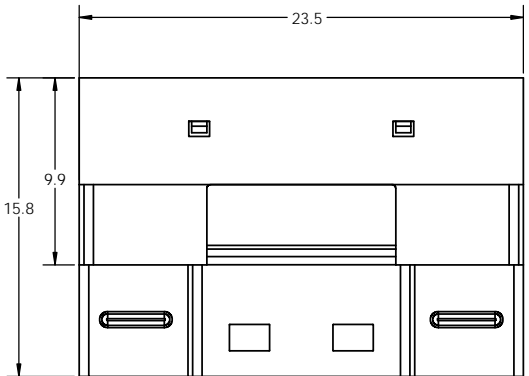


REVISIONS			
REV	DESCRIPTION, ECN, EAR NO.	DATE	APP'D
L	UPDATE DESCRIPTION	APR06/16	JS



U10 - A074 - X X X X

OPTIONS

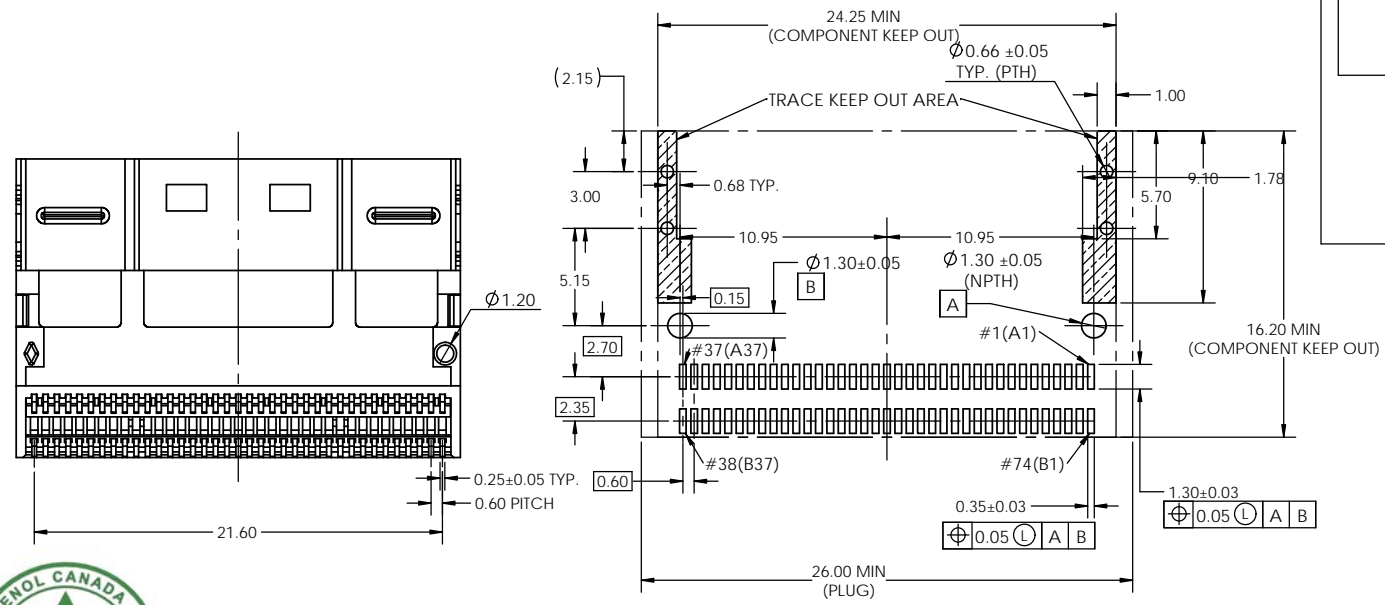
- 0T** = STANDARD CONSTRUCTION WITH TAPE & REEL PACKAGING
- 1T** = NO RESONANCE DAMPING FEATURE WITH TAPE & REEL PACKAGING
- LATCH PIN LENGTH OPTIONS**
- 0=** 1.50
- 4=** 2.20
- 5=** 3.00
- 6=** 4.20

CONTACT PLATING OPTION

- 2** = 30 MICROINCHES OF GOLD ON MATING END WITH 100 MICROINCHES MINIMUM OF MATTE TIN ON SOLDER TERMINATION. 50-75 MICROINCHES OF NICKEL UNDERPLATE ALL OVER
- 3** = 15 MICROINCHES OF GOLD ON MATING END WITH 100 MICROINCHES MINIMUM OF MATTE TIN ON SOLDER TERMINATION. 50-75 MICROINCHES OF NICKEL UNDERPLATE ALL OVER

NOTES:

- 1) MATERIAL:
HOUSING: SOLDER REFLOW PROCESS COMPATIBLE LCP, UL94V-0
CONTACTS: HIGH PERFORMANCE COPPER ALLOY
LATCH: PHOSPHOR BRONZE
RESONANCE DAMPENING FEATURE: SEMI-CONDUCTIVE POLYMER
- 2) RoHS COMPLIANT



THIS DOCUMENT CONTAINS PROPRIETARY INFORMATION AND SUCH INFORMATION MAY NOT BE DISCLOSED TO OTHERS FOR ANY PURPOSE OR USED FOR MANUFACTURING PURPOSES WITHOUT WRITTEN PERMISSION FROM AMPHENOL CANADA CORP.

UNLESS SPECIFIED OTHERWISE	DRAWN	C.MICHLIK	NOV27/13
PRIMARY UNITS	MILLIMETERS	CHECKED	BA.P
SECONDARY		M.E. APP'D	SEP16/14
REFERENCE IN PARENTHESES		Q.A. APP'D	
GENERAL TOLERANCES		DWG APP'D	C.MICHLIK
1 DECIMAL PLACE	±0.35	ENG. REL. NO.	NOV27/13
2 DECIMAL PLACES	±0.25	REF.	ECN TBD
3 DECIMAL PLACES	±0.150	THIRD ANGLE PROJECTION	
ANGULAR DEGREES	±2°	DO NOT SCALE DRAWING	

Amphenol High Speed Interconnects
A Division of Amphenol Corp. www.amphenolcanada.com

ULTRAPORT SLIMSAST™ 8X24 R/A RECEPTACLE WITH LATCH

DWG. NO. **P-U10-A074-XXXX** REV **L**

CODE ID NO. **03554** DWG SIZE: **C** SCALE: **5:1** SHEET **1 OF 1**